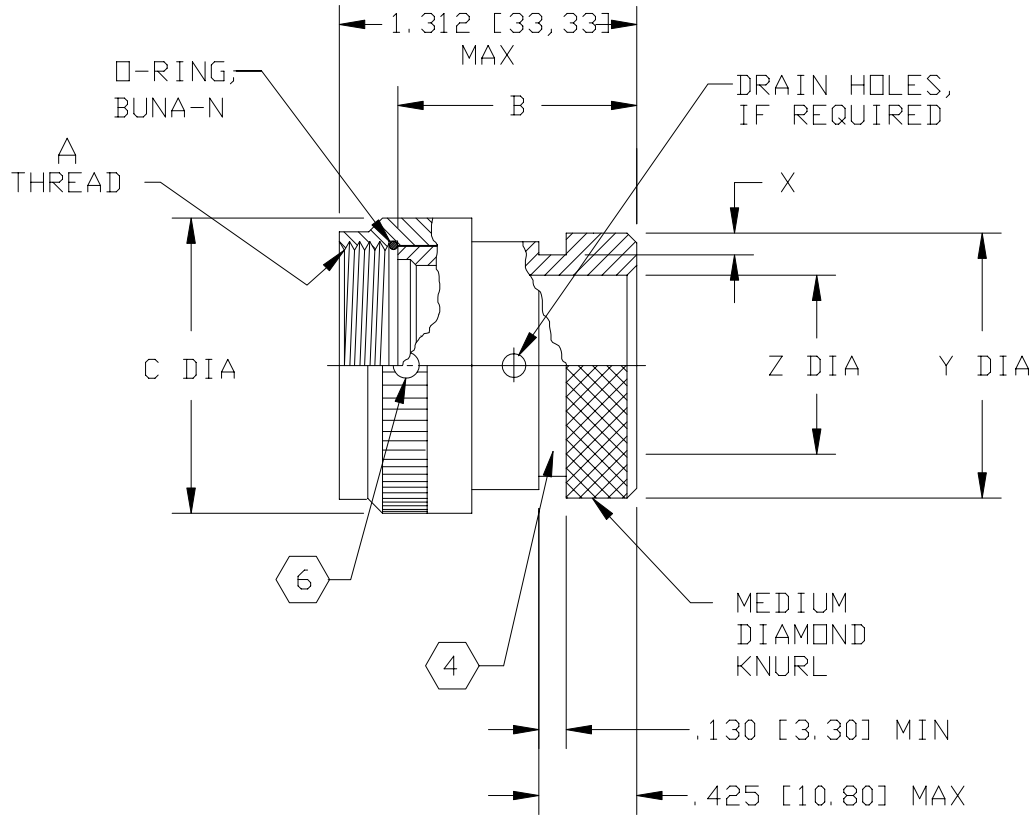


| REVISIONS |                         |      |          |
|-----------|-------------------------|------|----------|
| LTR       | DESCRIPTION             | DATE | APPROVED |
| C         | REVISED PER ECN AD93032 |      |          |




NOTES:

1. THIS PRODUCT IS DESIGNED TO TERMINATE A HEAT SHRINKABLE LIPPED BOOT TO A CONNECTOR.
2. FOR ADDITIONAL DIMENSIONS, ORDERING INFORMATION AND MODIFICATIONS, SEE CH00-0250-0
3. ADAPTER TO BE PERMANENTLY MARKED WITH CODE IDENT. NO. AND PART NO. (E.G.: 06090-203M312-19B).
- 4 KNURL INSIDE BOOT GROOVE MAY BE SUPPLIED AT MANUFACTURER'S OPTION.
- 5 ADAPTER MATES TO: BURNDY COMMERCIAL "TRIM TRIO" CONNECTORS.
- 6 ANTI-ROTATIONAL SET SCREW, THREE THREADED HOLES  $120^\circ \pm 5^\circ$  APART, SINGLE MATING SET SCREW SUPPLIED: AN565DC4H2. NOT REQUIRED FOR TYPE II ADAPTERS.

If this document is printed it becomes uncontrolled.  
Check with document control for latest revision.

SPECIFICATION CONTROL DRAWING

|  |  |                  |              |   |          |     |
|--|--|------------------|--------------|---|----------|-----|
| UNLESS OTHERWISE SPECIFIED DIMENSIONS ARE IN INCHES. METRIC DIMENSIONS ARE IN BRACKETS.<br><br>DECIMALS<br>.XXX ± — [ mm]<br>.XX ± — [ mm]<br>.X ± — [ mm]<br><br>ANGLES<br>.X ± — | DRAWN<br>E. GOLDY  | DATE<br>05-25-93 |              | RAYCHEM CORPORATION<br>300 CONSTITUTION DRIVE<br>MENLO PARK, CALIFORNIA 94025 |          |     |
|  | CHECKED  | DATE             |              | TITLE   |          |     |
|  | APPROVED   | DATE             |              | ADAPTER, SPIN COUPLING<br>CODE 25   |          |     |
|  | APPROVED   | DATE             |              |   |          |     |
|  | CAD NAME \ACAD12\203M3XX                                       |                  | SIZE         | CODE IDENT. NO.   | DWG. NO. | REV |
| THIRD ANGLE PROJECTION   | Downloaded From <a href="http://www.Oneyac.com">Oneyac.com</a> |                  | A            | 06090   | 203M3XX  | C   |
|  |  |                  | SHEET 1 OF 2 |   |          |     |

| BASE PART<br>NUMBER | SHELL<br>SIZE<br> | A<br>R.H. THREAD<br>CLASS 2B | B<br>±.031<br>[±0.79] | C<br>DIA<br>MAX  | X<br>+.008<br>-.000<br>[+0.20]<br>[-0.00]<br>DIA | Y<br>+.000<br>-.020<br>[+0.00]<br>[-0.51]<br>DIA | Z<br>±.031<br>[±0.79] |
|---------------------|--|------------------------------|-----------------------|------------------|--|--|-----------------------|
|                     |  |                              |                       |                  |  |  |                       |
| 203M308             | 8  | .438-28 UNEF                 | 1.156<br>[29,36]      | .781<br>[19,84]  | .044<br>[1,12]                                   | .533<br>[13,54]                                  | .281<br>[7,14]        |
| 203M310             | 10   | .562-24 UNEF                 | 1.156<br>[29,36]      | .906<br>[23,02]  | .044<br>[1,12]                                   | .605<br>[15,37]                                  | .385<br>[9,78]        |
| 203M312             | 12   | .688-24 UNEF                 | 1.156<br>[29,36]      | 1.062<br>[26,98] | .044<br>[1,12]                                   | .774<br>[19,66]                                  | .531<br>[13,49]       |
| 203M314             | 14   | .812-20 UNEF                 | 1.156<br>[29,36]      | 1.188<br>[30,18] | .044<br>[1,12]                                   | .838<br>[21,29]                                  | .625<br>[15,88]       |
| 203M316             | 16   | .938-20 UNEF                 | 1.156<br>[29,36]      | 1.312<br>[33,33] | .044<br>[1,12]                                   | .963<br>[24,46]                                  | .750<br>[19,05]       |
| 203M318             | 18   | 1.062-18 UNEF                | 1.156<br>[29,36]      | 1.438<br>[36,53] | .044<br>[1,12]                                   | 1.042<br>[26,47]                                 | .843<br>[21,41]       |
| 203M320             | 20   | 1.188-18 UNEF                | 1.093<br>[27,76]      | 1.562<br>[39,68] | .069<br>[1,75]                                   | 1.217<br>[30,91]                                 | .969<br>[24,61]       |
| 203M322             | 22   | 1.312-18 UNEF                | 1.093<br>[27,76]      | 1.688<br>[42,88] | .069<br>[1,75]                                   | 1.355<br>[34,42]                                 | 1.094<br>[27,79]      |
| 203M324             | 24   | 1.438-18 UNEF                | 1.124<br>[28,55]      | 1.781<br>[45,24] | .069<br>[1,75]                                   | 1.443<br>[36,65]                                 | 1.188<br>[30,18]      |

SIZE CODE IDENT. NO. DWG. NO.

A 06090

203M3XX

REV

C

单击下面可查看定价，库存，交付和生命周期等信息

[>>TE Connectivity\(泰科\)](#)