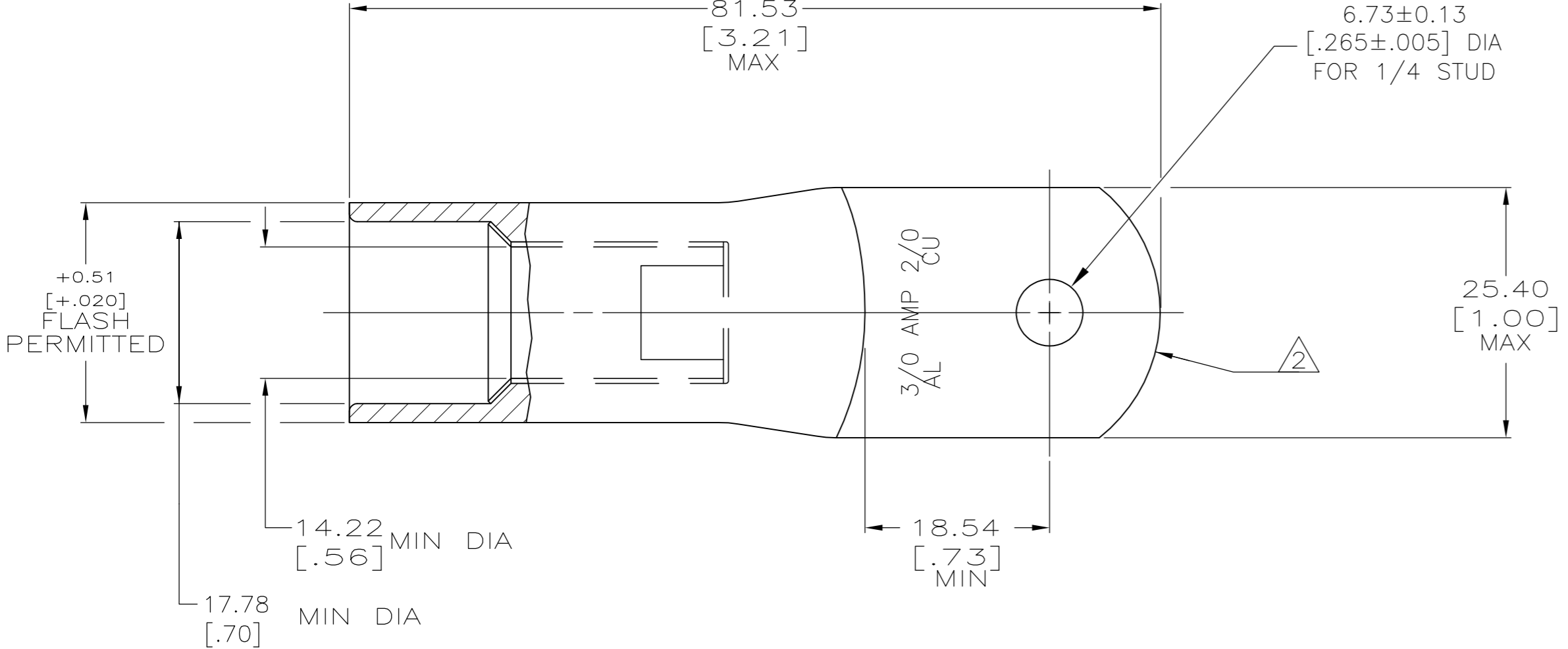
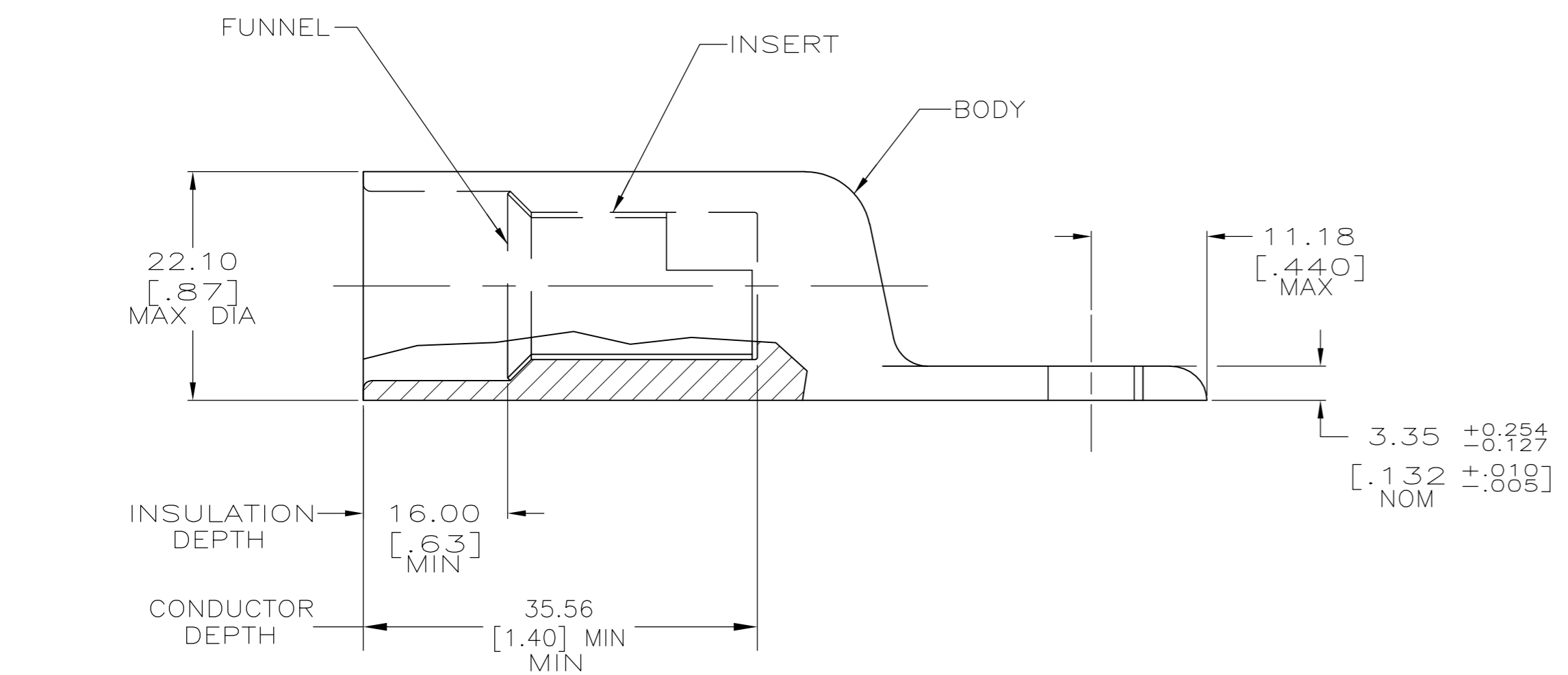


THIS DRAWING IS UNPUBLISHED. RELEASED FOR PUBLICATION
 © COPYRIGHT - By - ALL RIGHTS RESERVED.

LOC	DIST	REVISIONS			
P	LTR	DESCRIPTION	DATE	DWN	APVD
G	86				
B		REVISED PER ECO-13-018297	26NOV13	MGM	CT



- 1 WIRE SIZE: 87.2mm² [3/0] ALUMINUM
68.6mm² [2/0] COPPER
 - 2 WIRE INSULATION: 13.21[.520] - 16.38[.645] DIA
- △3 THE TONGUE RADIUS FEATURE IS NOT A TOOLING CONTROLLED DIMENSION AND MAY NOT BE A TRUE RADIUS.



INSERT & FUNNEL: BRASS MIL-C-50 NICKEL PL QQ-N-290 0.00762[.000300] AVG THK BODY: COPPER ASTM-B187 ANNEALED TIN PL PER ASTM B545 0.00381[.000150] MIN THK	696767-1
MATERIAL & FINISH	PART NO.

THIS DRAWING IS A CONTROLLED DOCUMENT.		DWN	JR RUTH	03MAR05		TE Connectivity		
DIMENSIONS: INCHES		CHK	MJ SPICER	03MAR05		NAME		
TOLERANCES UNLESS OTHERWISE SPECIFIED:		APVD	MJ SPICER	03MAR05		PRODUCT SPEC		
0 PLC ± - 1 PLC ± - 2 PLC ± - 3 PLC ± - 4 PLC ± - ANGLES ± -		APPLICATION SPEC		108-11011				
MATERIAL SEE TABLE		FINISH SEE TABLE		WEIGHT	103 GRAMS	SIZE	A2	
		CUSTOMER DRAWING		CAGE CODE	00779	DRAWING NO	C-696767	
				SCALE	2:1	SHEET	1 of 1	
				REV	B			

单击下面可查看定价，库存，交付和生命周期等信息

[>>TE Connectivity\(泰科\)](#)