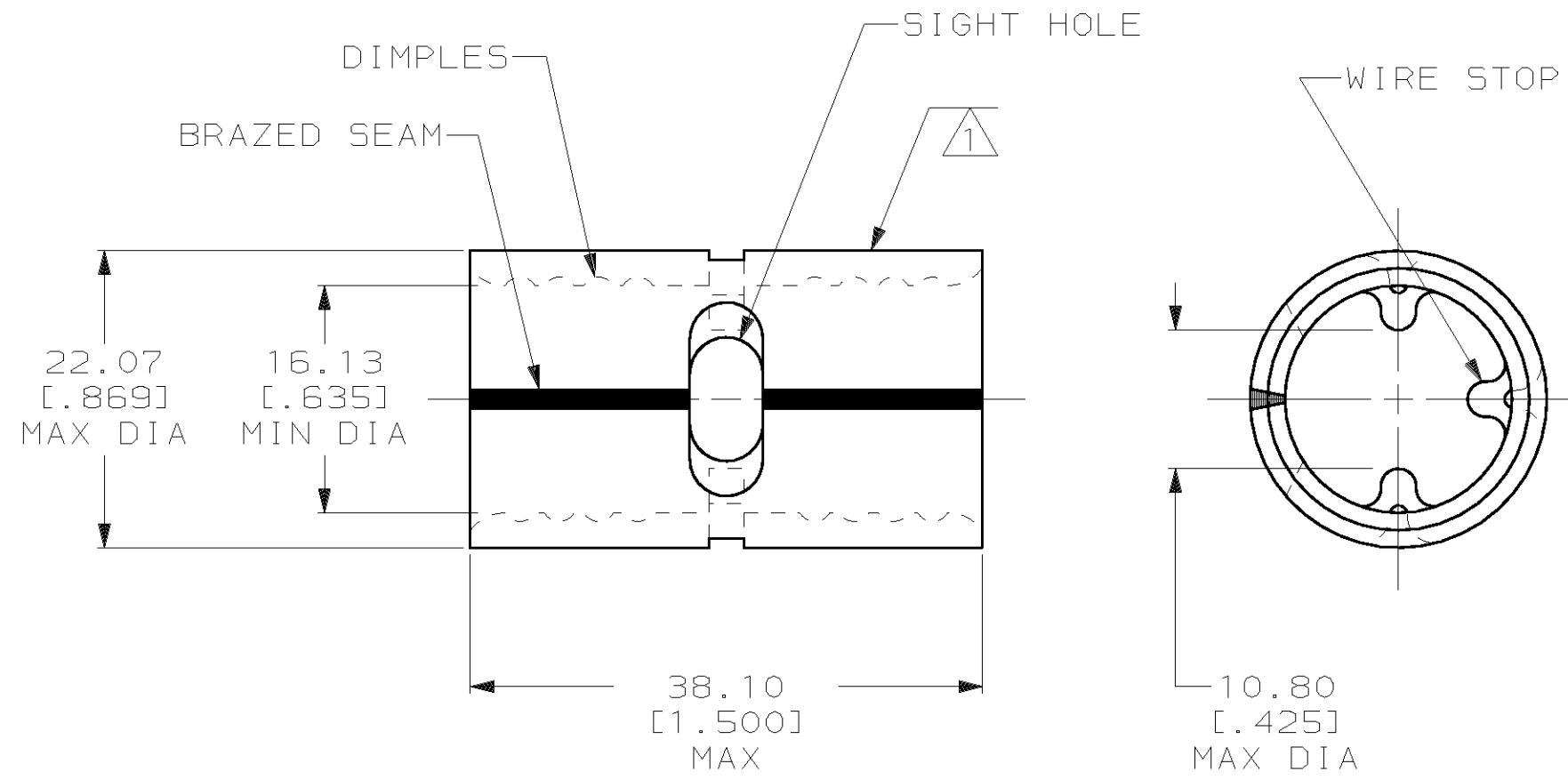


THIS DRAWING IS UNPUBLISHED. RELEASED FOR PUBLICATION, 19
 © COPYRIGHT 19 BY AMP INCORPORATED. ALL INTERNATIONAL RIGHTS RESERVED.

LOC	DIST	P	F	ZONE	LTR	DESCRIPTION	DATE	APPD
G	14				F	REV PER 063A-0503-01	17DEC01	SR CK

AMP PART NO	MATERIAL	PKG TYPE	QTY
8-36960-3	M/F 8-36960-0	BOX	25

METRIC
 DIMENSIONS LISTED IN mm [INCHES]



AMP WIRE RANGE	UL E13288 Listed
4/0 AWG SOLID OR STRANDED	4/0 AWG SOLID OR STRANDED
SP LR7189 Certified	MILITARY P/N AND CLASS
4/0 AWG SOLID OR STRANDED	NOT APPLICABLE

- 1 STAMP AMP 4/0W* APPROX AS SHOWN
- 2 MATERIAL THK: 2.59 ± 0.08 [.102 ± .003]

AMP INCORPORATED
CUSTOMER SERVICE SYSTEMS

FOR ADDITIONAL PRODUCT INFORMATION OR COPIES OF DRAWINGS AND TECHNICAL DOCUMENTS
 PRODUCT INFORMATION CENTER
 1-800-522-6752

FOR APPLICATION TOOLING INFORMATION
 TOOLING ASSISTANCE CENTER
 1-800-722-1111

FOR ORDER ENTRY
 1-800-526-5142

MAX RECOMMENDED OPERATING TEMPERATURE:
 170°C MAX

VOLTAGE RATING:
 NOT APPLICABLE

CIRCULAR MIL AREA:
 96.3-117.0mm² [190,000-231,100] CIR MILS
 SOLID OR STRANDED

THIS DRAWING IS A CONTROLLED DOCUMENT FOR AMP INCORPORATED. IT IS SUBJECT TO CHANGE AND THE CONTROLLING ENGINEERING ORGANIZATION SHOULD BE CONTACTED FOR THE LATEST REVISION.

DO NOT SCALE PRINT. UNLESS SPECIFIED DIMENSIONS IN mm [INCHES]. TOLERANCES ON:
 2 PLC DEC ± 0.20[.008]
 3 PLC DEC ± -
 ANGLES ± -

MATERIAL
 COPPER ASTM B-152 ANNEALED

FINISH
 TIN PLATE 0.00254[.000100] MIN THK PER MIL-T-10727

DR 5/24/93
 DK SCHRUM

CHK 1/27/94
 RD HEIM

APPD 1/27/94
 RE ROSER

APPD 1/27/94
 JL MECKLEY

PRODUCT SPEC -

APPLICATION SPEC -

WEIGHT -

AMP AMP Incorporated
 Harrisburg, PA 17105-3608

NAME
 SPLICE, BUTT,
 SOLISTRAND™

SIZE **B** CAGE CODE 00779 DRAWING NO **C-36960**

SCALE 2:1 SHEET 1 OF 1

36960
 PART NO

单击下面可查看定价，库存，交付和生命周期等信息

[>>TE Connectivity\(泰科\)](#)