

4

3

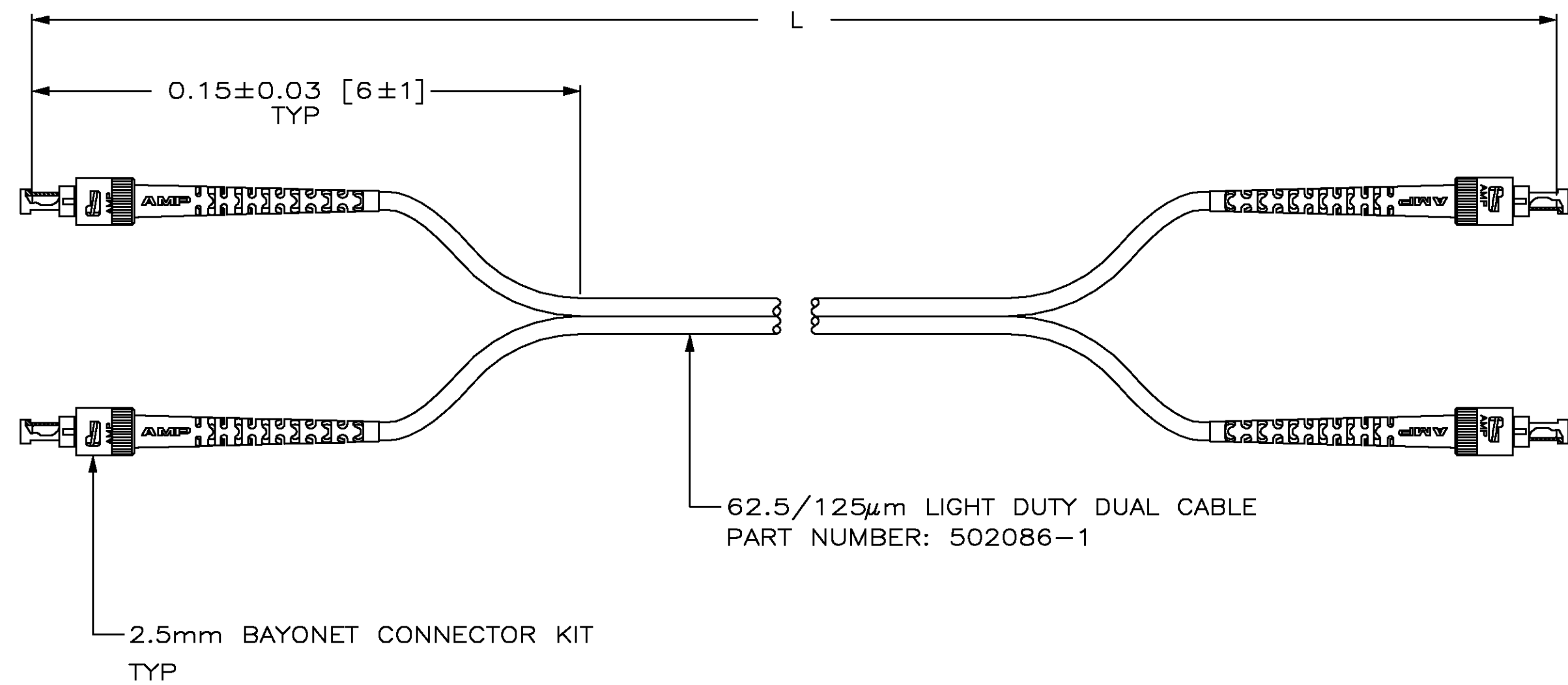
2

1

THIS DRAWING IS UNPUBLISHED. RELEASED FOR PUBLICATION .19  
 BY AMP INCORPORATED. ALL RIGHTS RESERVED.

| LOC | DIST | REVISIONS   |                         |         |       |
|-----|------|-------------|-------------------------|---------|-------|
| P   | LTR  | DESCRIPTION | DATE                    | DWN     | APVD  |
| CE  | 16   | R           | REVISE PER 0A00-0585-98 | 23NOV98 | CK MK |

1. DIMENSIONS IN [ ] ARE IN INCHES.



62.5/125µm LIGHT DUTY DUAL CABLE  
 PART NUMBER: 502086-1

2.5mm BAYONET CONNECTOR KIT  
 TYP

|                     |             |
|---------------------|-------------|
| 200±2.0 [7874±79]   | 3-501833-2  |
| 16.7±0.3 [657±12]   | 3-501833-1  |
| 13.7±0.15 [539±6]   | 3-501833-0  |
| 10.6±0.15 [417±6]   | 2-501833-9  |
| 7.6±0.08 [300±3]    | 2-501833-8  |
| 4.5±0.08 [177±3]    | 2-501833-7  |
| 150±1.5 [5905±59]   | 2-501833-6  |
| 1.10±0.05 [43.30±2] | 2-501833-5  |
| 60.96±0.6 [2400±24] | 2-501833-4  |
| 40±0.4 [1575±16]    | 2-501833-3  |
| 20±0.3 [787±12]     | 2-501833-2  |
| 9±0.15 [354±6]      | 2-501833-1  |
| 8±0.15 [315±6]      | 2-501833-0  |
| 7±0.08 [275±3]      | 1-501833-9  |
| 4±0.08 [157±3]      | 1-501833-8  |
| 2±0.05 [79±2]       | 1-501833-7  |
| 0.6±0.03 [24±1]     | 1-501833-6  |
| 0.3±0.03 [12±1]     | 1-501833-5  |
| 100±1.0 [3937±39]   | 1-501833-4  |
| 50±0.5 [1969±20]    | 1-501833-3  |
| 30±0.3 [1181±12]    | 1-501833-2  |
| 25±0.3 [984±12]     | 1-501833-1  |
| 15±0.15 [591±6]     | 1-501833-0  |
| 1.83±0.05 [72±2]    | 501833-9    |
| 1.52±0.05 [60±2]    | 501833-8    |
| 1.22±0.05 [48±2]    | 501833-7    |
| 10±0.15 [394±6]     | 501833-6    |
| 6±0.08 [236±3]      | 501833-5    |
| 5±0.08 [197±3]      | 501833-4    |
| 3±0.05 [118±2]      | 501833-3    |
| 1±0.05 [39±2]       | 501833-2    |
| 0.91±0.05 [36±2]    | 501833-1    |
| L                   | PART NUMBER |

THIS DRAWING IS A CONTROLLED DOCUMENT.

|                            |         |  |
|----------------------------|---------|--|
| DWN<br>B.BARRY<br>8-3-88   | 23NOV98 | <b>AMP</b> AMP Incorporated<br>Harrisburg, PA 17105-3608                         |
| CHK<br>J.ZEIDERS<br>8-3-88 |         |  |
| APVD<br>M.RUPERT<br>8-3-88 |         | NAME<br>CABLE ASSEMBLY, FIBER OPTIC, 62.5/125µm<br>DUAL, 2.5mm BAYONET, OPTIMATE |
|                            |         | PRODUCT SPEC<br>APPLICATION SPEC   |
|                            |         | SIZE<br>A2   |
|                            |         | CAGE CODE<br>00779   |
|                            |         | DRAWING NO<br>501833   |
|                            |         | RESTRICTED TO<br>-   |
|                            |         | WEIGHT<br>-  |
|                            |         | SCALE<br>NTS   |
|                            |         | SHEET<br>1 OF 1  |
|                            |         | REV<br>R   |

单击下面可查看定价，库存，交付和生命周期等信息

[>>TE Connectivity\(泰科\)](#)