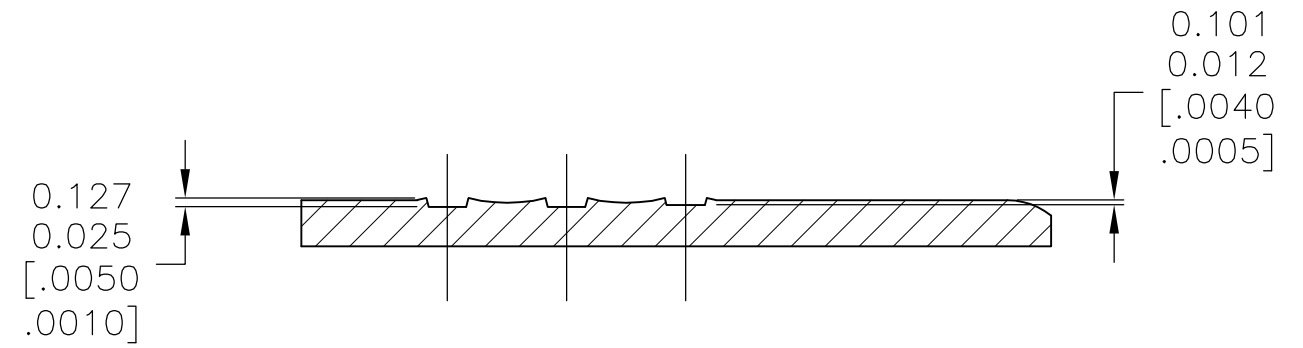
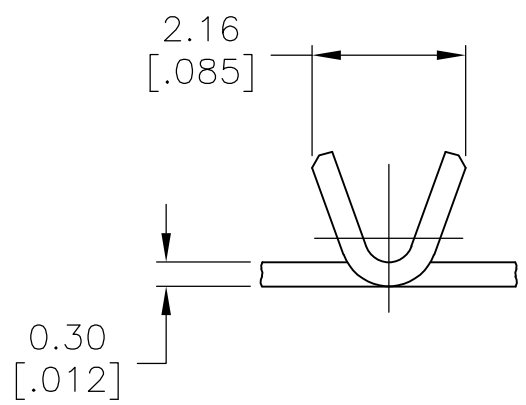
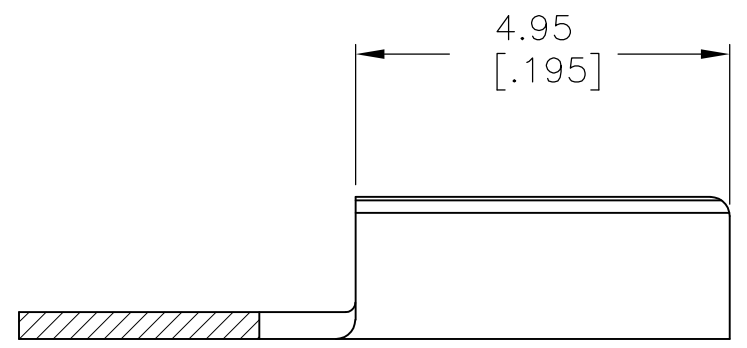
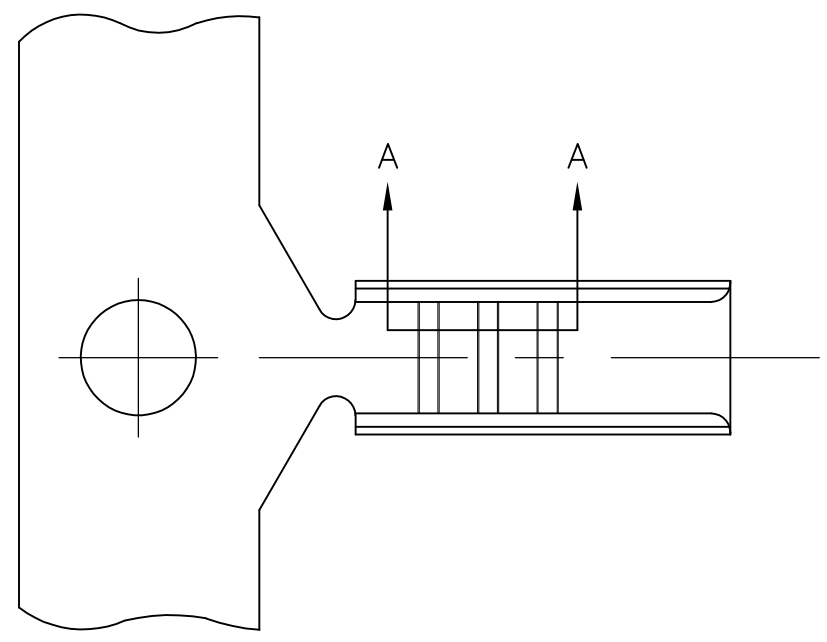


THIS DRAWING IS UNPUBLISHED. RELEASED FOR PUBLICATION
 © COPYRIGHT - TE Connectivity ALL RIGHTS RESERVED.

| REVISIONS | | | | | |
|-----------|-----|---------------------------|-----------|-----|------|
| P | LTR | DESCRIPTION | DATE | DWN | APVD |
| | B6 | REVISED PER ECO-17-007246 | 18MAY2017 | RS | KR |

- 1 PRODUCT PROVIDED IN STRIP FORM ON REELS; BREAKS MAY BE PRESENT
- △2 ALTERNATE REELING FOR THRU CRIMP APPLICATION.
- △3 SUPPLIED ON PLASTIC REEL.
- 4 CRIMP WIDTH: .055 F
 CRIMP HEIGHT: $(\pm.002)=(\text{TOTAL CMA} + 2,200)/93,000$



| | | |
|-------------|----|---------|
| 200-850 CMA | △3 | 63431-3 |
| 200-850 CMA | △2 | 63431-2 |
| 200-850 CMA | | 63431-1 |
| WIRE RANGE | | PART NO |

| | | | | | | |
|---|--|---------------------------|---------------------------|------------|-----------------|--------------------|
| THIS DRAWING IS A CONTROLLED DOCUMENT. | | DWN RAGHAVENDRA 12OCT2006 | TE Connectivity | | | |
| DIMENSIONS: mm [INCHES] | | CHK G.D.PORTA | | | | NAME |
| TOLERANCES UNLESS OTHERWISE SPECIFIED: | | APVD G.D.PORTA | AMPLIVAR SPLICE MINIATURE | | | |
| 0 PLC ± - 1 PLC ± - 2 PLC ± - 3 PLC ± 0.25 [.010] 4 PLC ± - ANGLES ± 1° 0' | | PRODUCT SPEC - | RESTRICTED TO - | | | |
| MATERIAL BRASS | | FINISH TIN | APPLICATION SPEC 114-2016 | SIZE A3 | CAGE CODE 00779 | DRAWING NO C-63431 |
| CUSTOMER DRAWING | | | WEIGHT 0.000000 | SCALE 10:1 | SHEET 1 OF 1 | REV B6 |

单击下面可查看定价，库存，交付和生命周期等信息

[>>TE Connectivity\(泰科\)](#)