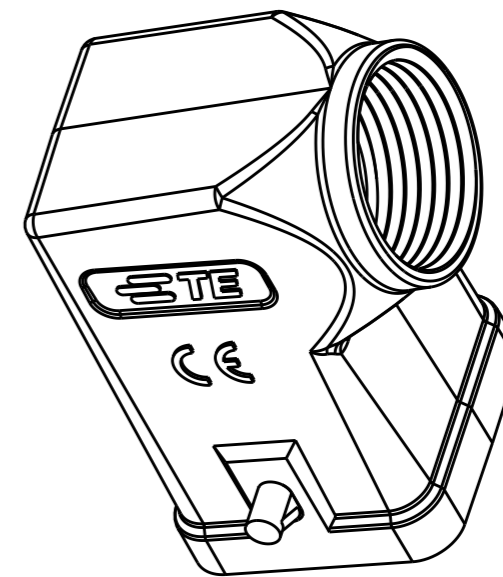
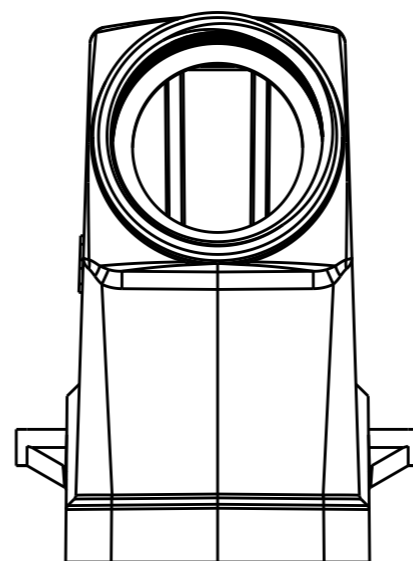
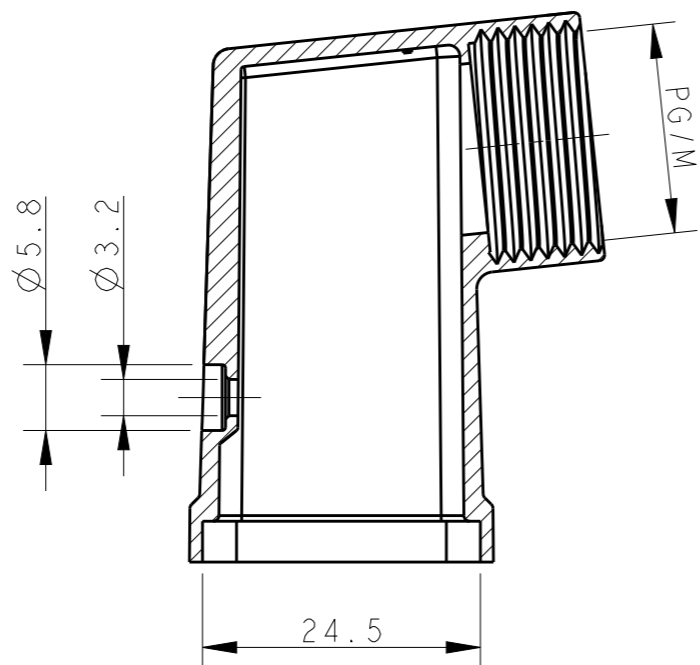
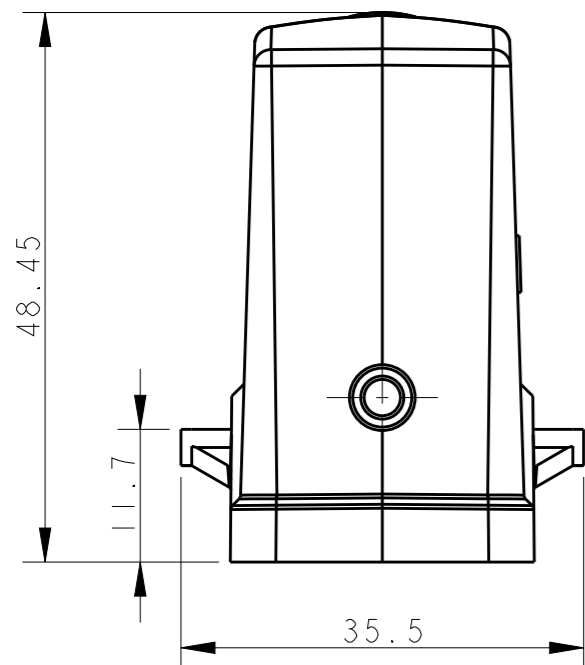


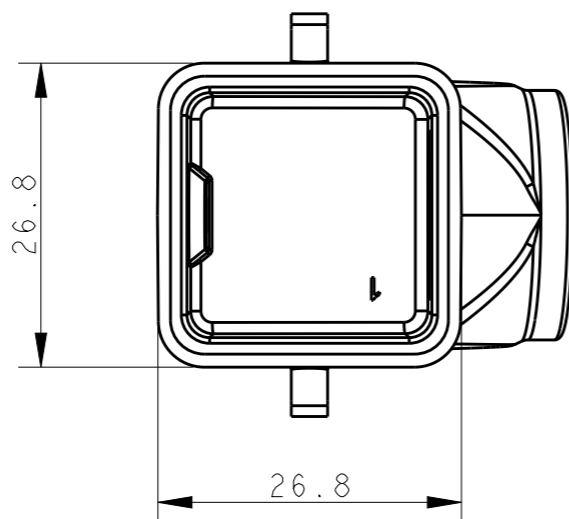
REVISIONS

P	LTR	DESCRIPTION	DATE	DWN	APVD
A		INITIAL RELEASE	21APR2015	DL	CW
B		ECR-18-015555	30SEP2018	GY	CW
C		ECR-18-017120	16MAR2019	BS	CW
D		ECR-20-008412	26NOV2020	BS	CW




NOTES:
 1. TECHNICAL CHARACTERISTICS:
 BODY: PC
 DEGREE OF PROTECTION: IP65 (MATED)

注释:
 1. 技术参数:
 主体材料: PC
 防护等级: IP65(配合)



T1319031111-000	H3A-TS-PG11	H3A PLASTIC HOOD, SIDE ENTRY PG11, 2 EAR, GREY H3A塑料上壳, 侧出PG11, 2耳, 灰色	PG11
T1319031120-000	H3A-TS-M20	H3A PLASTIC HOOD, SIDE ENTRY M20, 2 EAR, GREY H3A塑料上壳, 侧出M20, 2耳, 灰色	M20
PART NUMBER 零件料号	PART DESCRIPTION 零件描述	PG/M THREAD PG/M 螺纹孔	

THIS DRAWING IS A CONTROLLED DOCUMENT.		DWN DAVID LI 21APR2015	 TE Connectivity		
DIMENSIONS: mm		CHK CHRIS WANG 21APR2015			
TOLERANCES UNLESS OTHERWISE SPECIFIED:		APVD XU XIANG 21APR2015	NAME H3A-TS-PG/M		
0 PLC ±-		PRODUCT SPEC 108-137134	SIZE A3		
1 PLC ±-		APPLICATION SPEC 114-137134	CAGE CODE -		
2 PLC ±-		WEIGHT -	DRAWING NO C-T13190311XX000		
3 PLC ±-		CUSTOMER DRAWING	RESTRICTED TO		
4 PLC ±-			SCALE 3:2		
ANGLES ±-		SHEET 1 OF 1			
MATERIAL -		REV D			
FINISH -					

单击下面可查看定价，库存，交付和生命周期等信息

[>>TE Connectivity\(泰科\)](#)