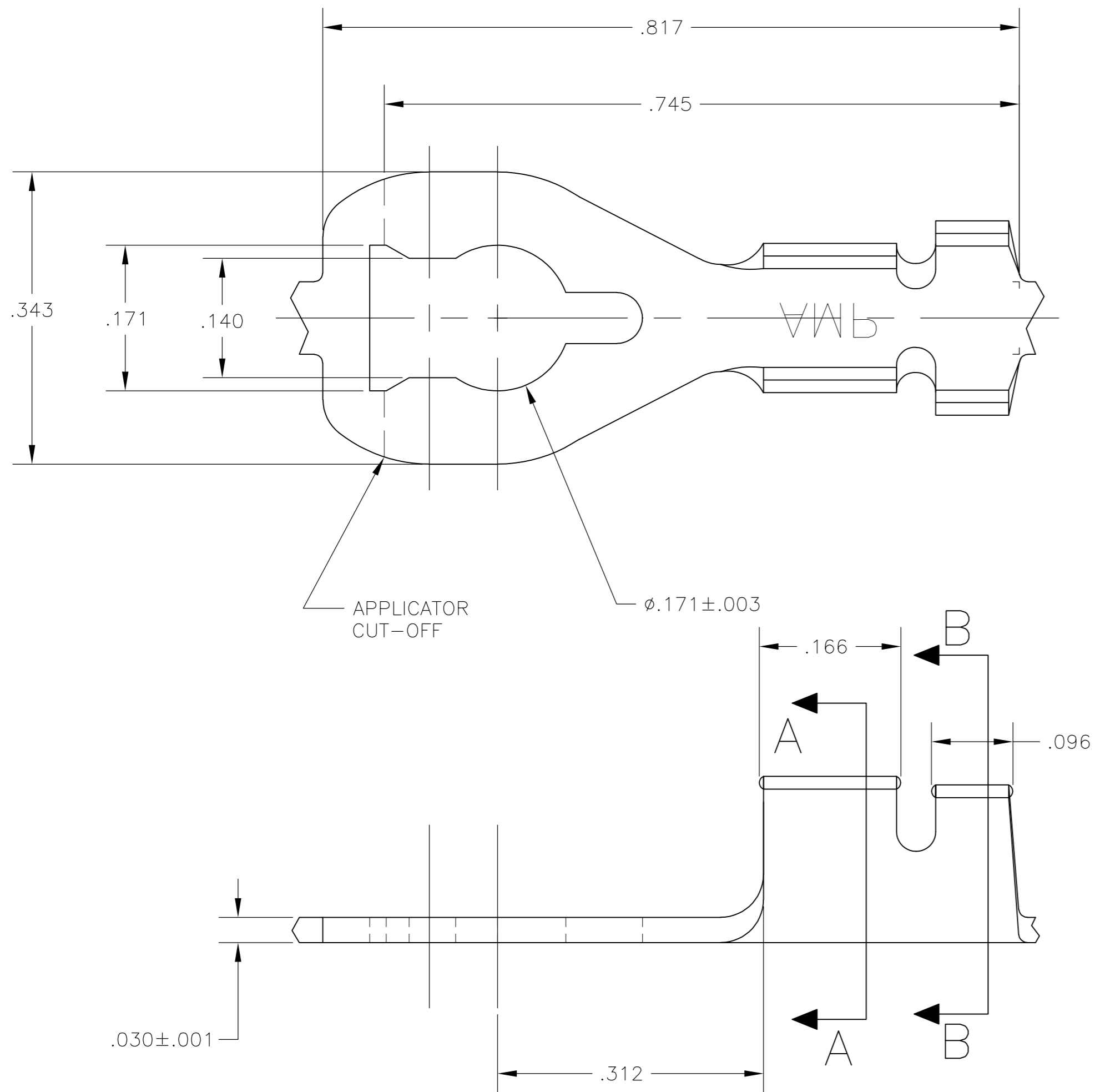
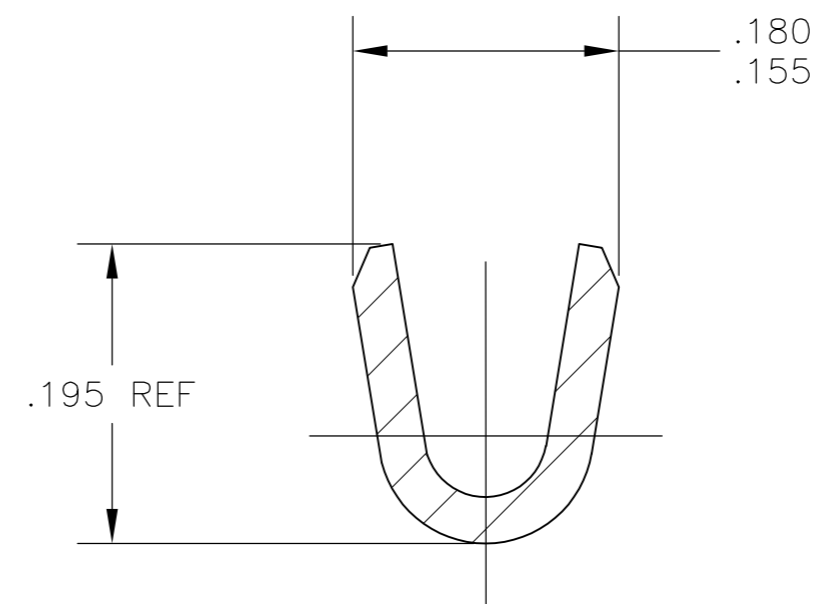


THIS DRAWING IS UNPUBLISHED. RELEASED FOR PUBLICATION  
 © COPYRIGHT BY TYCO ELECTRONICS CORPORATION. ALL INTERNATIONAL RIGHTS RESERVED.

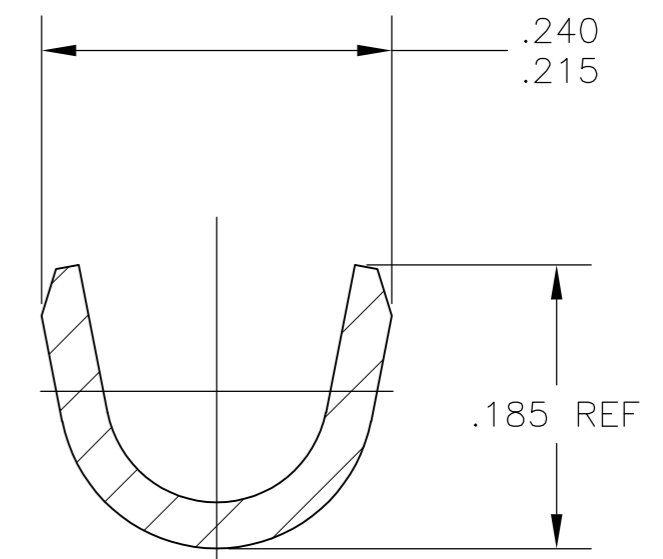
LOC	DIST	REVISIONS			
P	LTR	DESCRIPTION	DATE	DWN	APVD
AF	50	J	REVISED PER ECR-10-006099	09JUL10	HMR PD



1. CONTINUOUS STRIP ON REELS.
2. WIRE RANGE: #16-#12 AWG.
3. INSULATION RANGE: .110-.150 DIA.



SECTION A-A



SECTION B-B

62795

B

A

62795-1  
PART NUMBER

THIS DRAWING IS A CONTROLLED DOCUMENT.		DWN 03AUG2004 MICHAEL S. FEHER	Tyco Electronics Corporation Harrisburg, PA 17105-3608	
DIMENSIONS: INCHES		CHK 03AUG2004 DONALD F. DECKER	NAME	
TOLERANCES UNLESS OTHERWISE SPECIFIED:		APVD 03AUG2004 DONALD F. DECKER	TERMINAL, SPRING SPADE, #8 STUD SIZE (M4)	
0 PLC ± - 1 PLC ± - 2 PLC ± - 3 PLC ± .015 4 PLC ± - ANGLES ± -		PRODUCT SPEC	SIZE A2	RESTRICTED TO
MATERIAL H04 BRASS	FINISH TIN	APPLICATION SPEC	CAGE CODE 00779	DRAWING NO. 62795
WEIGHT -		CUSTOMER DRAWING	SCALE 10:1	SHEET 1 of 1
			REV J	

单击下面可查看定价，库存，交付和生命周期等信息

[>>TE Connectivity\(泰科\)](#)