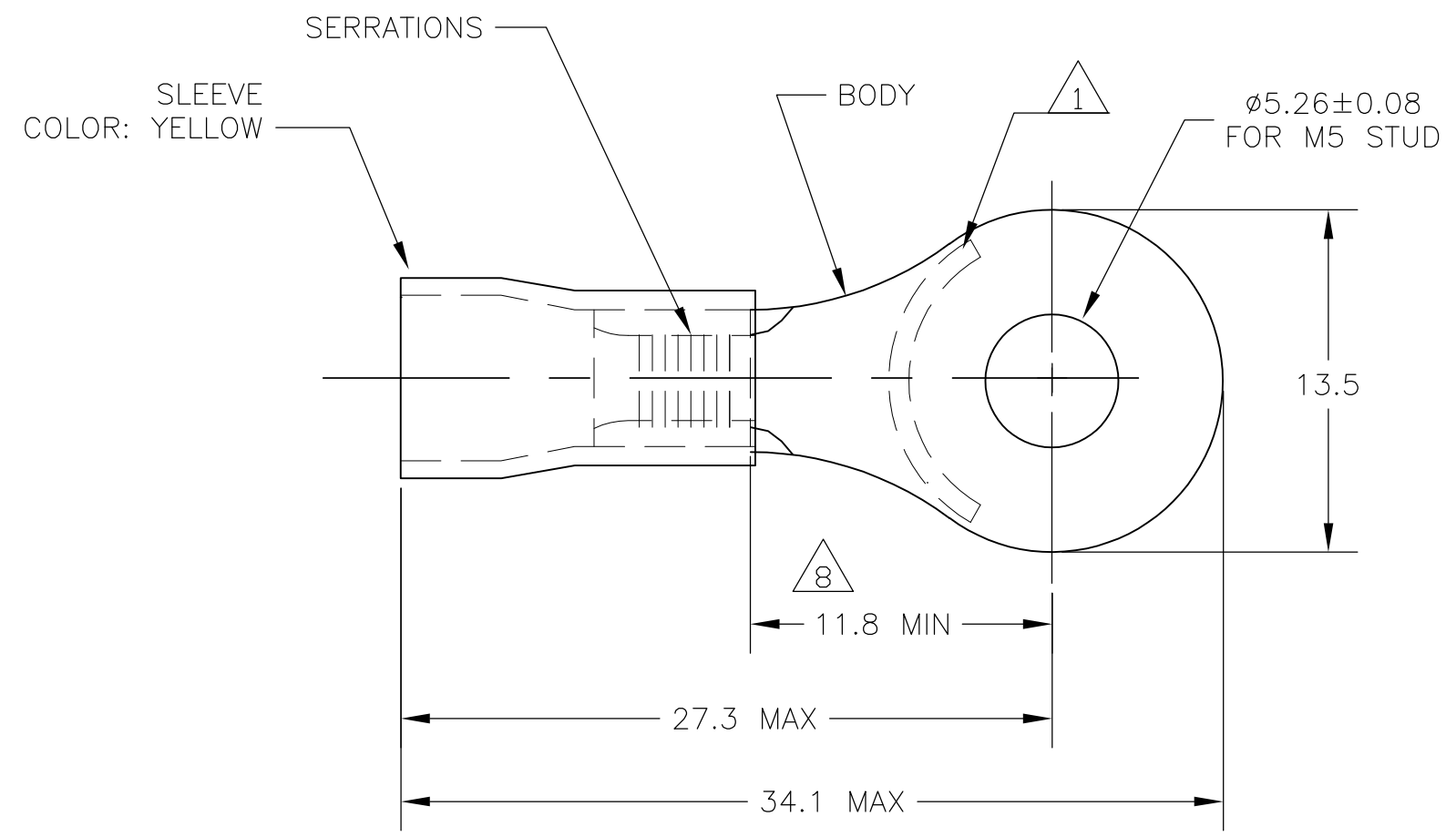


THIS DRAWING IS UNPUBLISHED. RELEASED FOR PUBLICATION
 © COPYRIGHT - By - ALL RIGHTS RESERVED.

LOC	DIST	REVISIONS			
P	LTR	DESCRIPTION	DATE	DWN	APVD
G	14	B1	REVISED PER ECO-11-005027	11MAR11	RK HMR

- 1 STAMP "AMP 12-10*", LOCATION APPROX AS SHOWN.
- 2 WIRE INSULATION DIA 3.8-6.4
- 3 OPERATING TEMPERATURE 90°C MAX
- 4 VOLTAGE RATING 600V MAX
- 5 CMA 2.62-6.64mm² [5,180-13,100]
- 6 MATERIAL:
BODY - COPPER PER ASTM B-152
INSULATION - PVC
- 7 FINISH:
BODY - TIN PL PER ASTM B-545
INSULATION - COLOR-YELLOW
- 8 APPLIES FROM EDGE OF METAL WIRE BARREL TO CENTER OF STUD HOLE.
- 9 MATERIAL THICKNESS IS 1.00±0.05



LOOSE PIECE	160293
PACKAGE TYPE	PART NO

THIS DRAWING IS A CONTROLLED DOCUMENT.		DWN	jr ruth	19NOV08	TE Connectivity NAME TERMINAL RING TONGUE, PLASTI-GRIP, WIRE SIZE 12:10
DIMENSIONS: MM		CHK	T MICHIELUTTI	19NOV08	
TOLERANCES UNLESS OTHERWISE SPECIFIED: 0 PLC ± - 1 PLC ± - 2 PLC ± 0.20 3 PLC ± - 4 PLC ± - ANGLES ± 5°		APVD	T MICHIELUTTI	19NOV08	
MATERIAL -		FINISH -	PRODUCT SPEC -	APPLICATION SPEC -	
WEIGHT -		SIZE	A3	CAGE CODE	00779
CUSTOMER DRAWING		DRAWING NO	C-160293		RESTRICTED TO
SCALE		4:1		SHEET	1 of 1
REV		B1			

单击下面可查看定价，库存，交付和生命周期等信息

[>>TE Connectivity\(泰科\)](#)