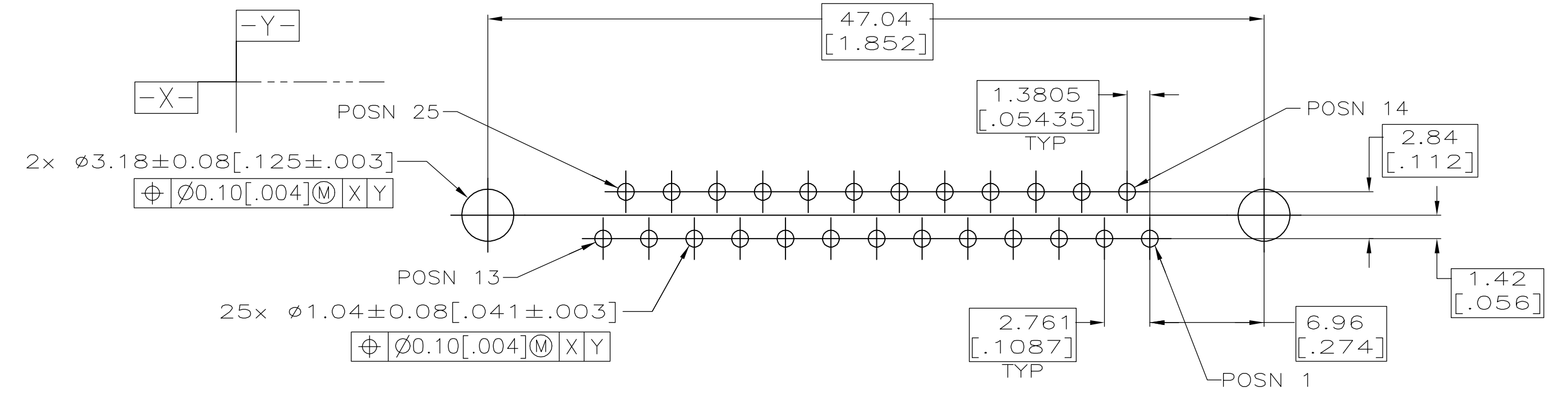
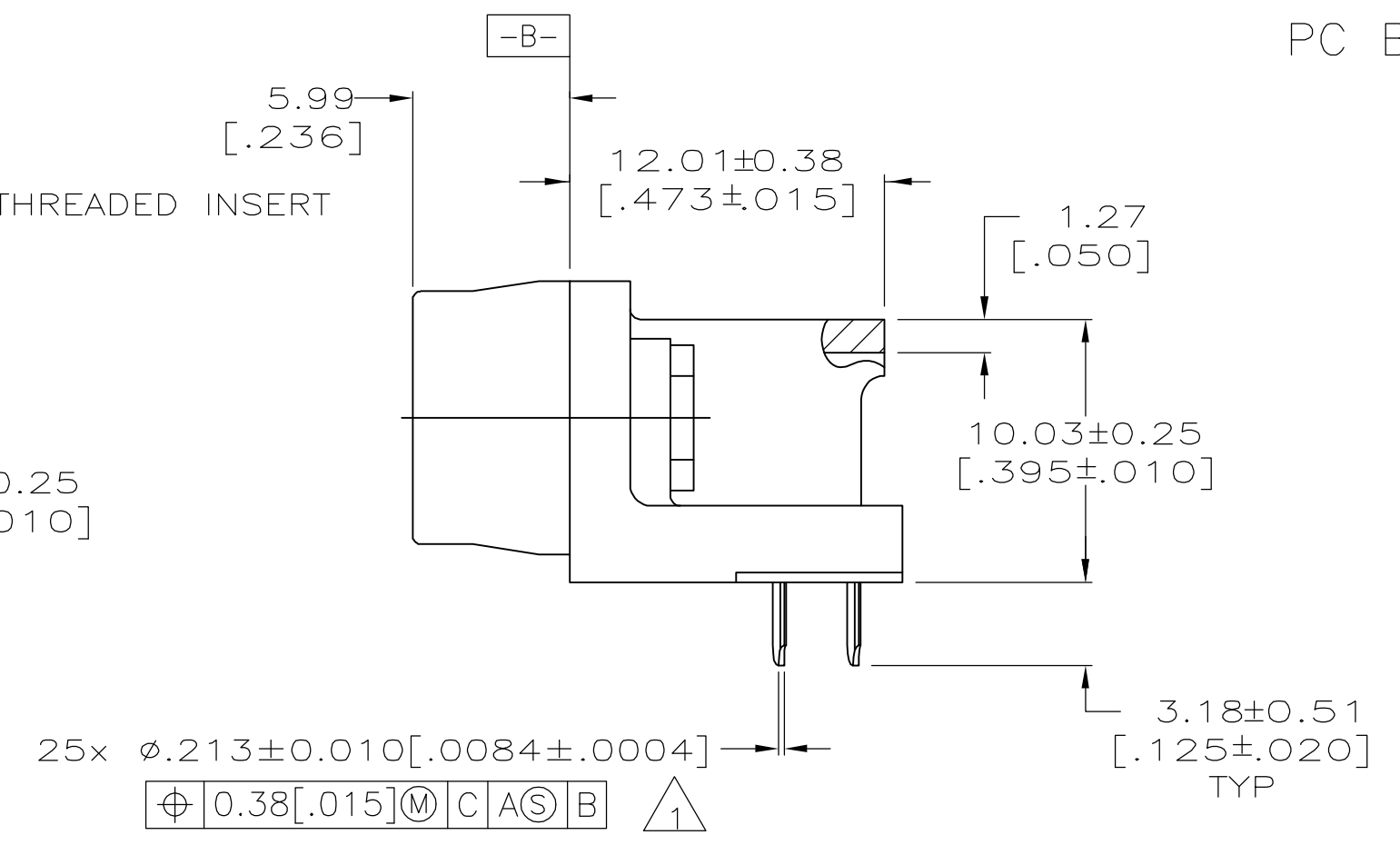
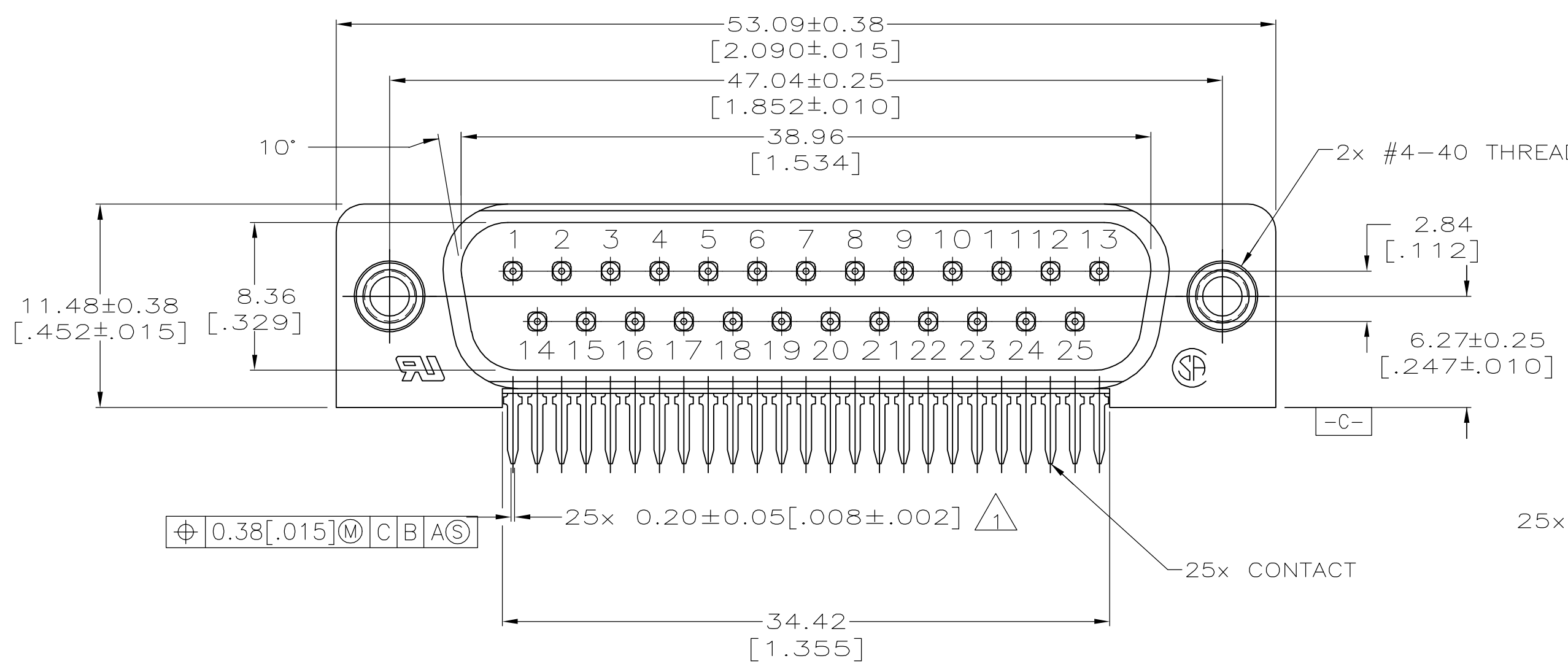


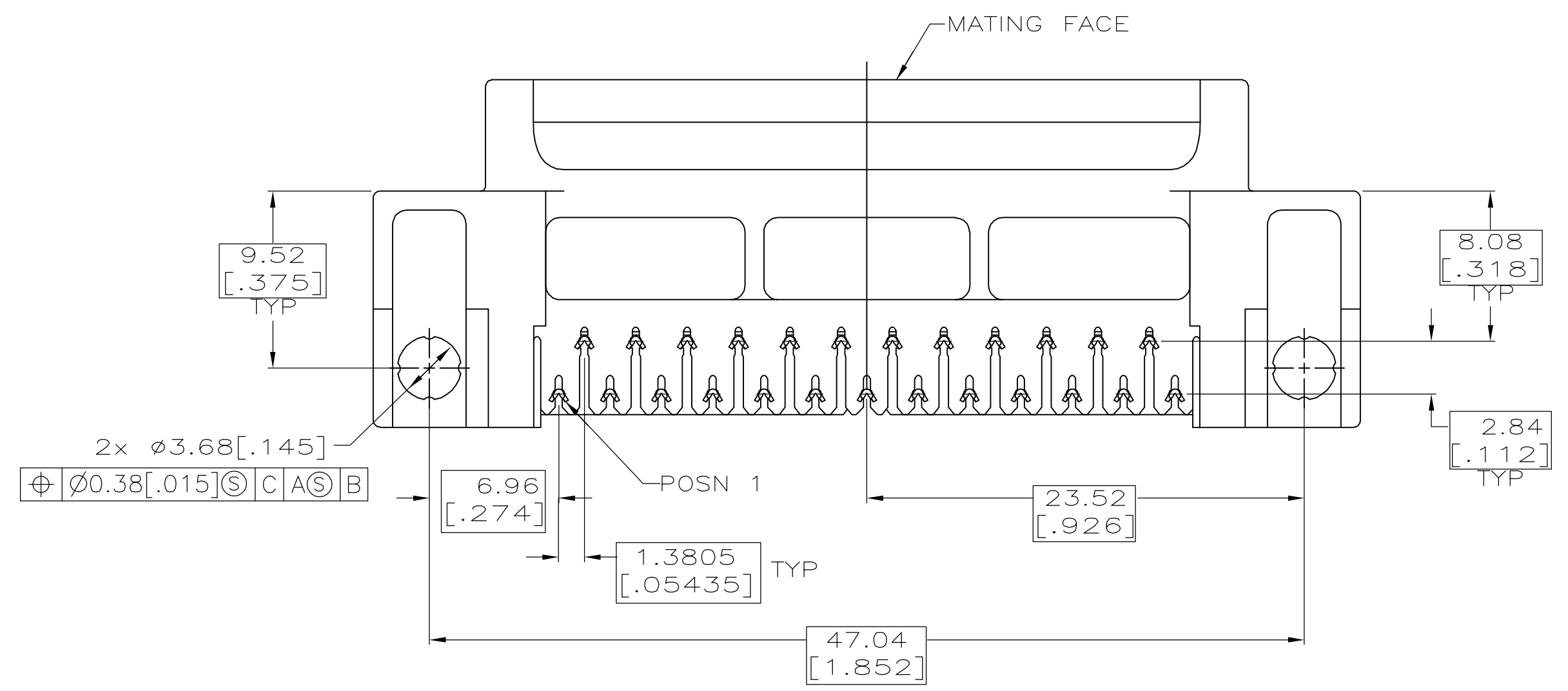
TYCO, PART NO. & DATE CODE, MARKED IN AREA INDICATED
 □ OF DATUM A



PC BOARD MOUNTING DIMENSIONS



- ⚠ POSITION TOLERANCE APPLIES AT TIP ONLY.
- ⚠ HOUSING: FLAME RETARDANT, 94V-0 RATED, GLASS FILLED NYLON OR POLYESTER, COLOR: BLACK. CONTACTS: BRASS. INSERTS: ZINC
- ⚠ CONTACTS: GOLD PLATED FOR A LENGTH OF 3.81 [.150] MIN FROM MATING END, 0.25 μm [.000010] MIN GOLD IN MATED AREA, 2.54 μm [.0001] MIN TIN FOR A LENGTH OF 3.68 [.145] MIN FROM OPPOSITE END, BOTH OVER 1.27 μm [.000050] MIN NICKEL. INSERTS: CLEAR CHROMATE COATING.



5748865-3
 PART NO

**COPYRIGHT 2005
 TYCO ELECTRONICS CORP
 ALL RIGHTS RESERVED**

THIS DRAWING IS A CONTROLLED DOCUMENT.		DWN G.PETERS 20SEP05	Tyco Electronics Corporation Harrisburg, PA 17105-3608
DIMENSIONS: mm [INCHES]		CHK S.BOLASH 20SEP05	
TOLERANCES UNLESS OTHERWISE SPECIFIED:		APVD M.WALMSLEY 20SEP05	NAME PLUG ASSEMBLY, SIZE 3, 25 POSN, ALL PLASTIC, RIGHT ANGLE, .318 SERIES, AMPLIMITE III
0 PLC ± -		PRODUCT SPEC 108-1226	SIZE A1
1 PLC ± -		APPLICATION SPEC 114-40027	CAGE CODE 00779
2 PLC ± 0.13 [.005]		WEIGHT -	DRAWING NO 5748865
3 PLC ± -		CUSTOMER DRAWING	RESTRICTED TO -
4 PLC ± -			SCALE 4:1
ANGLES ± 2			SHEET 1 OF 1
MATERIAL ⚠	FINISH ⚠		REV 0

单击下面可查看定价，库存，交付和生命周期等信息

[>>TE Connectivity\(泰科\)](#)

[>>点击查看相关商品](#)