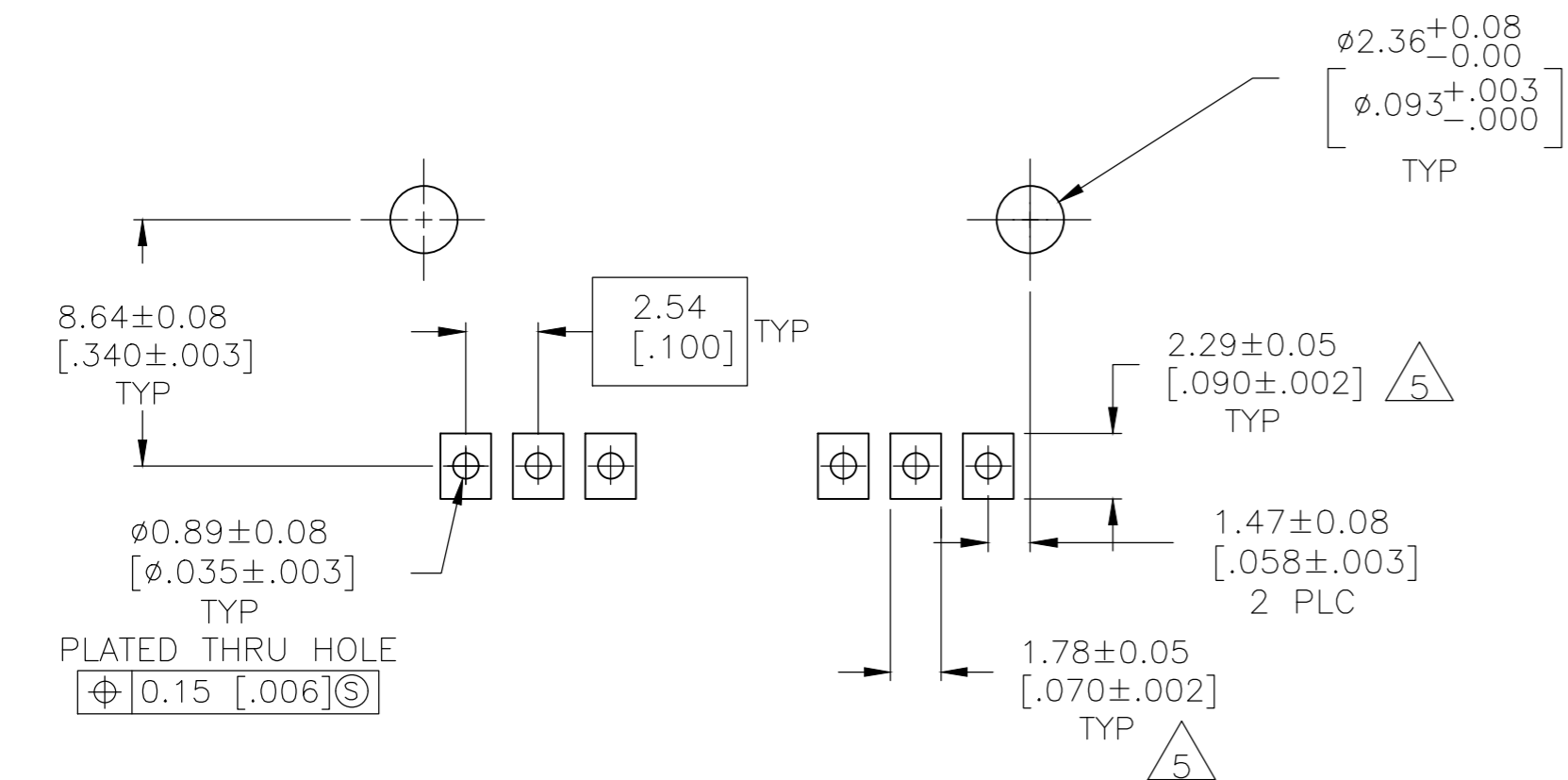
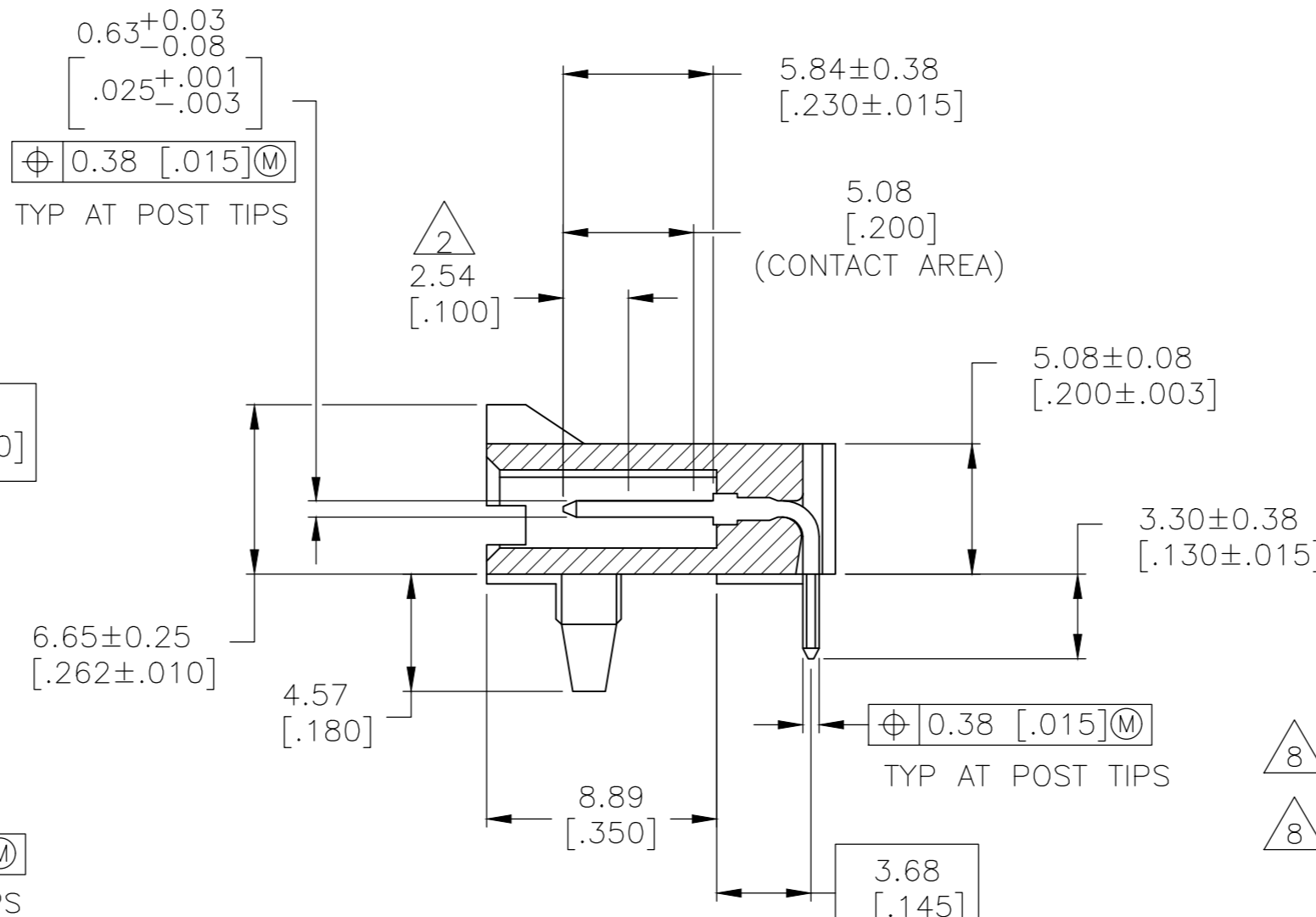
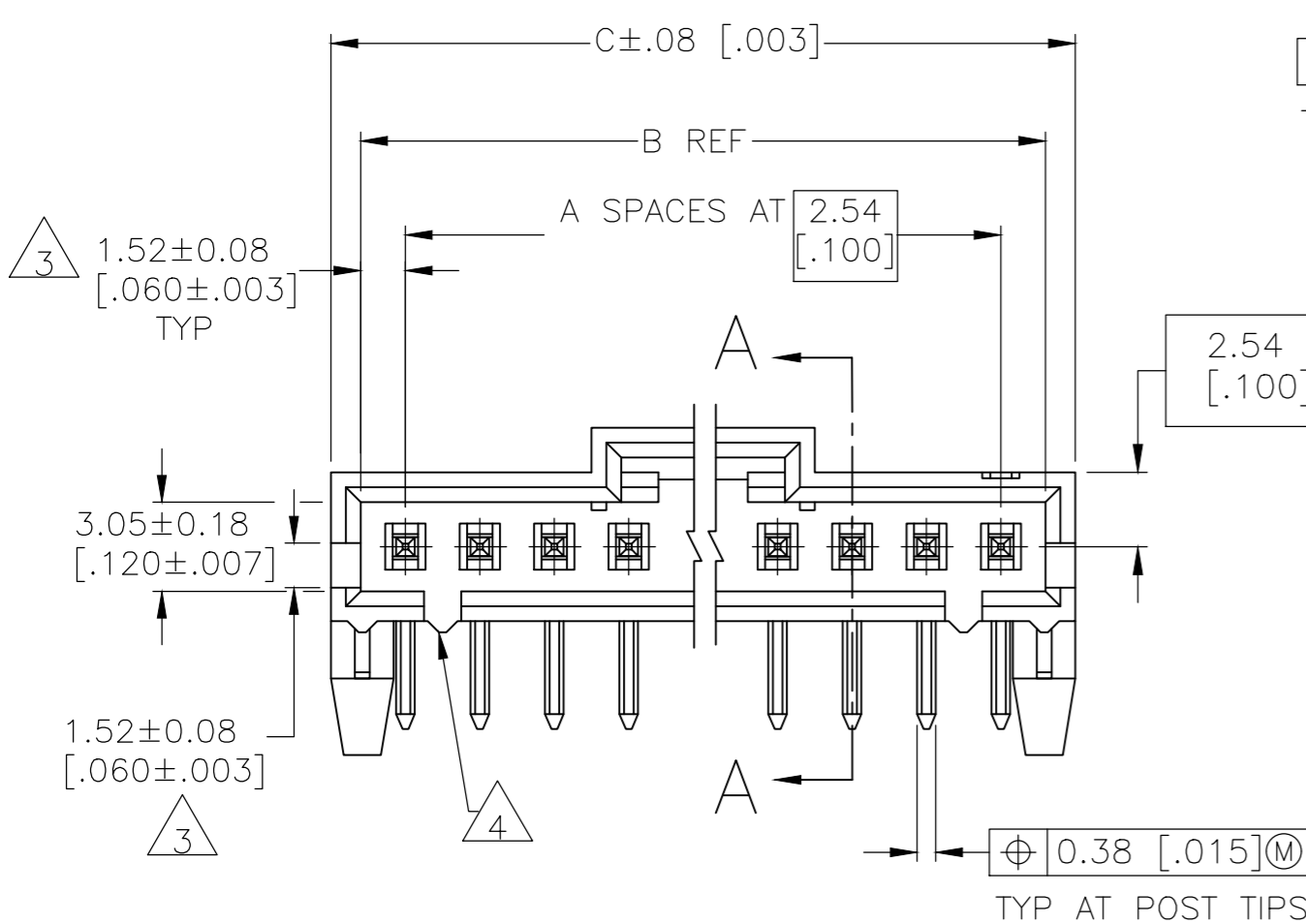
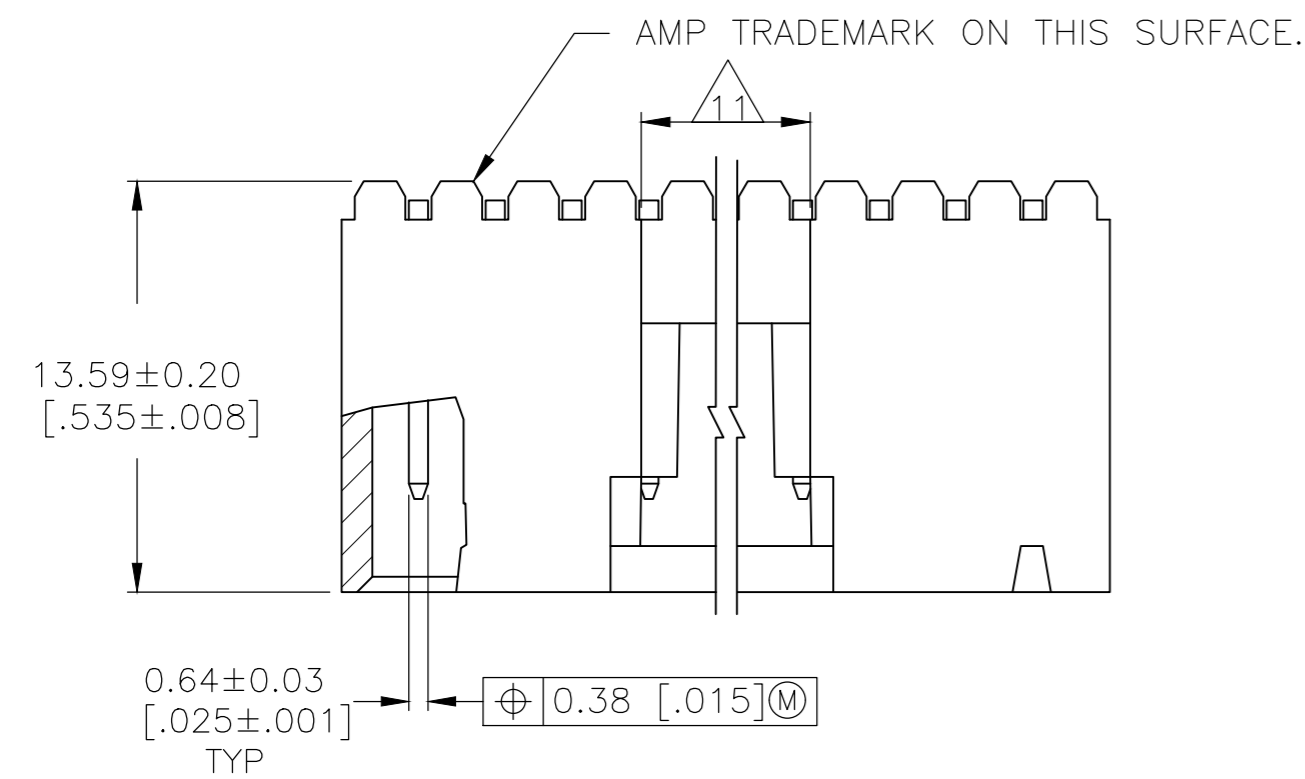


REVISIONS					
P	LTR	DESCRIPTION	DATE	DWN	APVD
J		REVISED PER ECO-20-001327	05JUN2020	SB	JO



- 1 .00076[.000030] GOLD IN THE CONTACT AREA, .00254[.000100]-.0051[.000200] MATTE TIN-LEAD ON THE SOLDER TAIL, ALL OVER .000050 NICKEL
- 2 POINT OF MEASUREMENT FOR PLATING THICKNESS
- 3 THE NOTED DIMENSIONS APPLY FROM THE BASIC DIMENSION LINE (NOT THE POST CENTERLINE) TO THE SURFACE INDICATED
- 4 ON ASSEMBLIES WITH FOUR OR MORE POSITIONS, TWO POLARIZATION SLOTS. ON ASSEMBLIES WITH TWO OR THREE POSITIONS, ONE POLARIZATION SLOTS.
- 5 DIMENSION NOTED ARE FOR SOLDER STENCIL LAYOUT FOR USE WITH A 1.57±0.20[.062±0.008] THICK PRINTED CIRCUIT BOARD.
- 6. PARTS ARE PACKAGED IN GANG OF TUBES
- 7 HOUSING: LCP, COLOR: BLACK. POST: BRASS
- 8 PRELIMINARY PART - NOT RELEASED FOR PRODUCTION.
- 9 .00076[.000030] GOLD IN THE CONTACT AREA, .00254[.000100]-.0051[.000200] MATTE TIN ON THE SOLDER TAIL, ALL OVER .000050 NICKEL
- 10 OBSOLETE PARTS: OBSOLETE CIS STREAMLINING PER D.RENAUD/D.SINISI
- 11 0.25 [.010] RECESS PERMISSIBLE IN THIS AREA FOR MOLD SHUT OFF

PLATING	C	B	A	NO. OF POSN	PART NO.	
8	9	40.51 [1.595]	38.61 [1.520]	14	15	6-104681-4
8	9	22.73 [.895]	20.83 [.820]	7	8	5-104681-7
	9	10.03 [.395]	8.13 [.320]	2	3	5-104681-2
	9	7.49 [.295]	5.59 [.220]	1	2	5-104681-1
8	1	40.51 [1.595]	38.61 [1.520]	14	15	1-104681-4
8	1	22.73 [.895]	20.83 [.820]	7	8	104681-7
10 SUPERSEDED	1	10.03 [.395]	8.13 [.320]	2	3	104681-2
	1	7.49 [.295]	5.59 [.220]	1	2	104681-1

RECOMMENDED PC BOARD MOUNTING DIMENSIONS
RECOMMENDED STENCIL THICKNESS = .25[.010]

THIS DRAWING IS A CONTROLLED DOCUMENT.

DWN M.BINNER 28FEB01
CHK K.WRIGHT 07MAR01
APVD K.WRIGHT 07MAR01

TE Connectivity

HDR ASSY, AMPMODU MTE, RTANG, SINGLE ROW, .100, .025 SQ POST, WITH LATCH & HOLD DOWNS

SIZE A2 CAGE CODE 00779 DRAWING NO. C=104681 RESTRICTED TO -

MATERIAL 7 FINISH SEE TABLE WEIGHT - SCALE 4:1 SHEET 1 OF 1 REV J

APPLICATION SPEC PRODUCT SPEC

0 PLC ± -
1 PLC ± -
2 PLC ± 0.13 [.005]
3 PLC ± -
4 PLC ± -
ANGLES ± -

单击下面可查看定价，库存，交付和生命周期等信息

[>>TE Connectivity\(泰科\)](#)