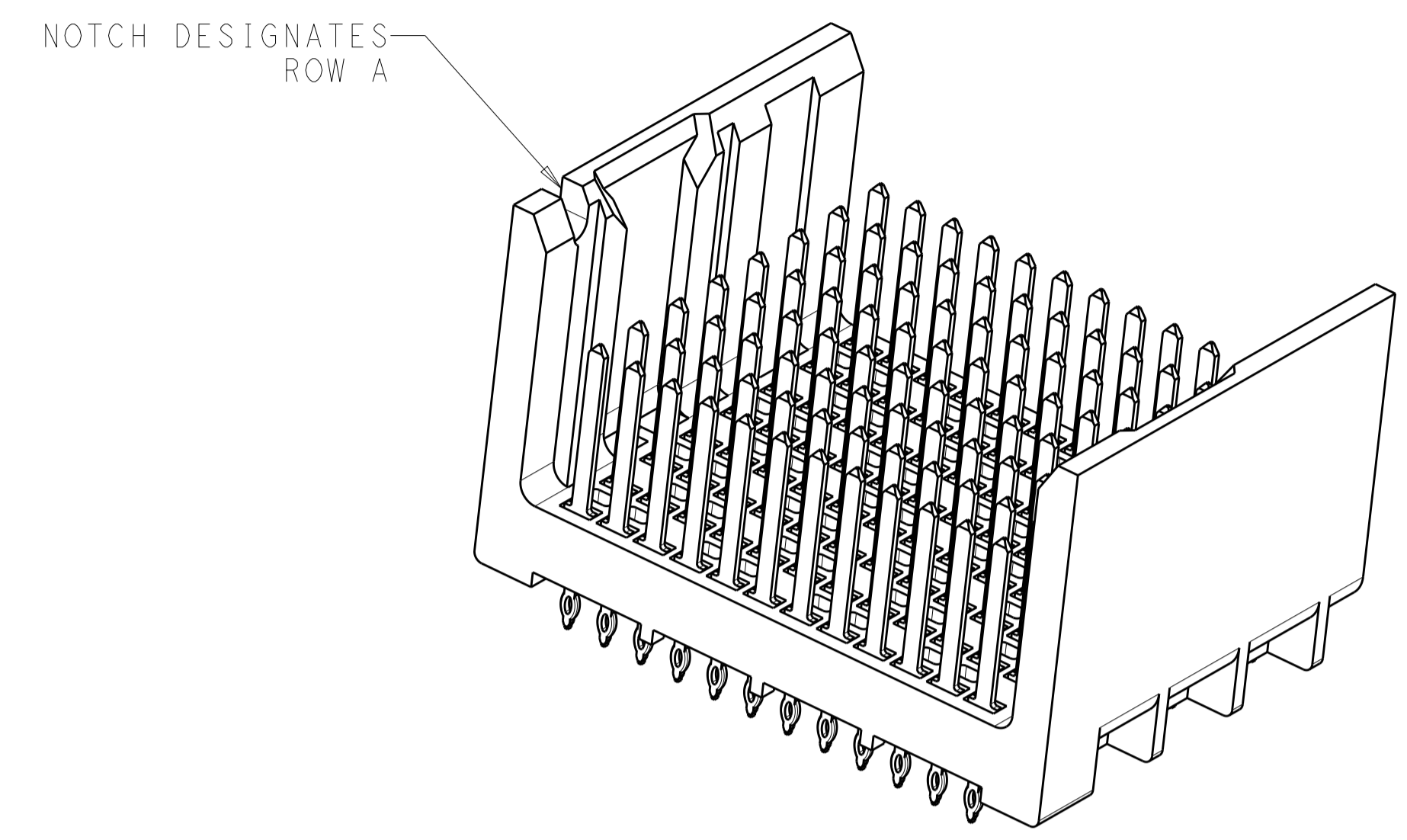
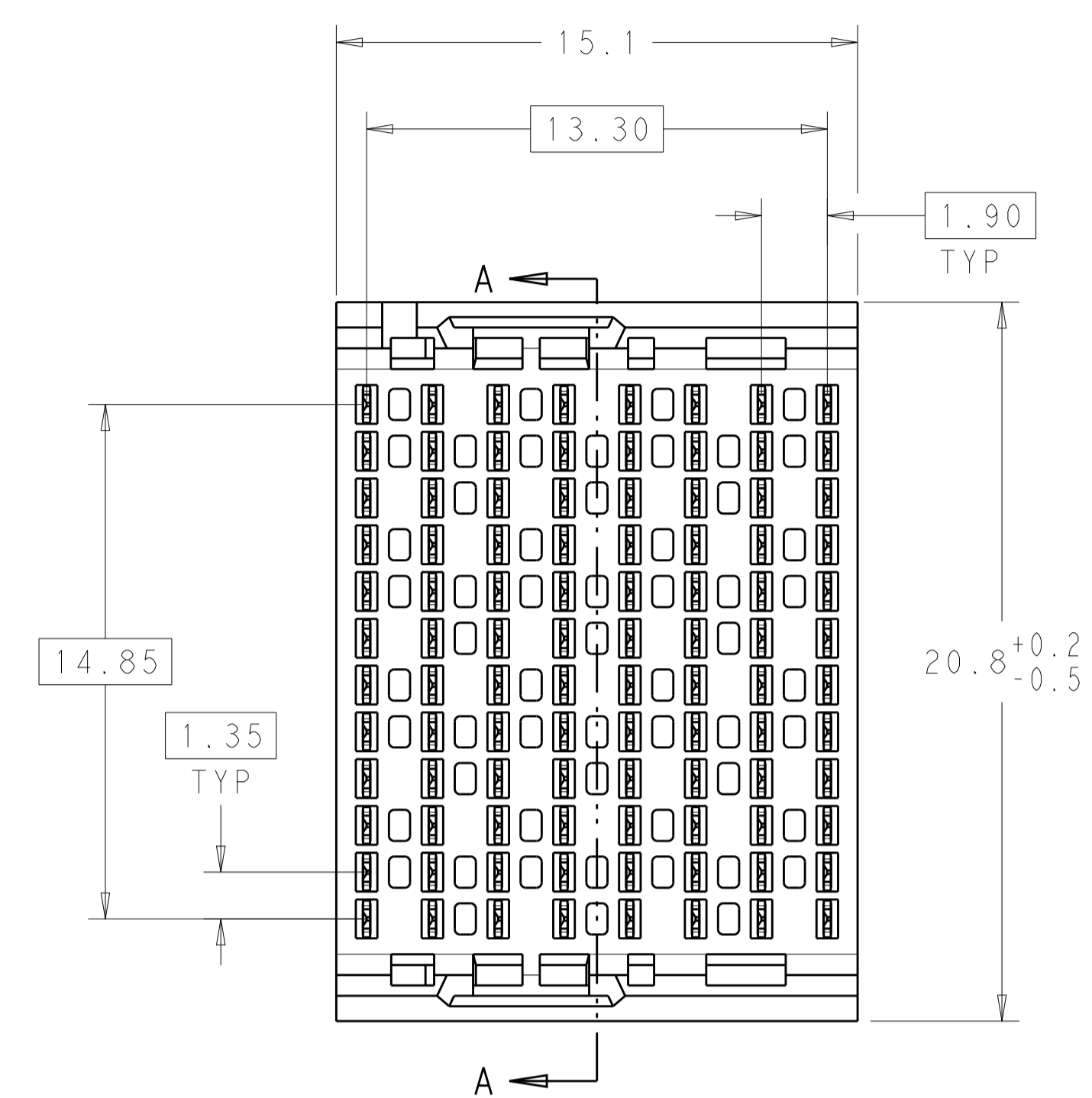
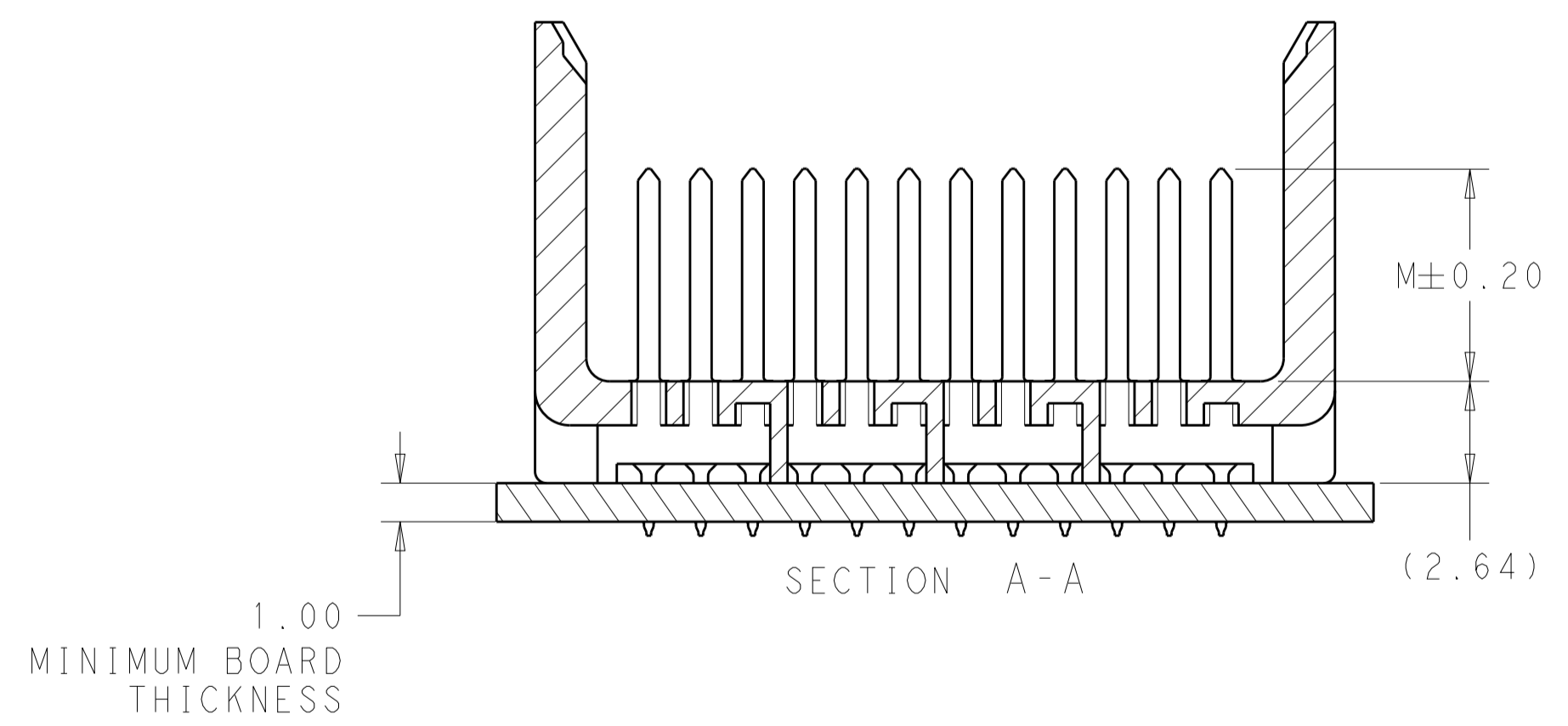
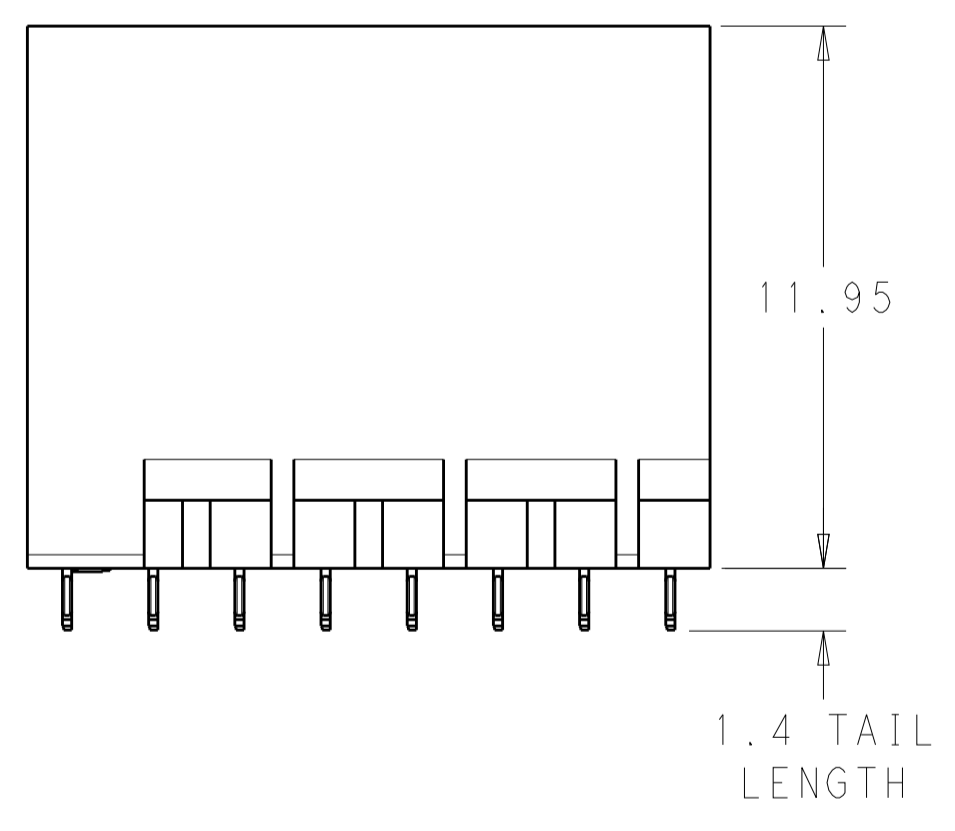
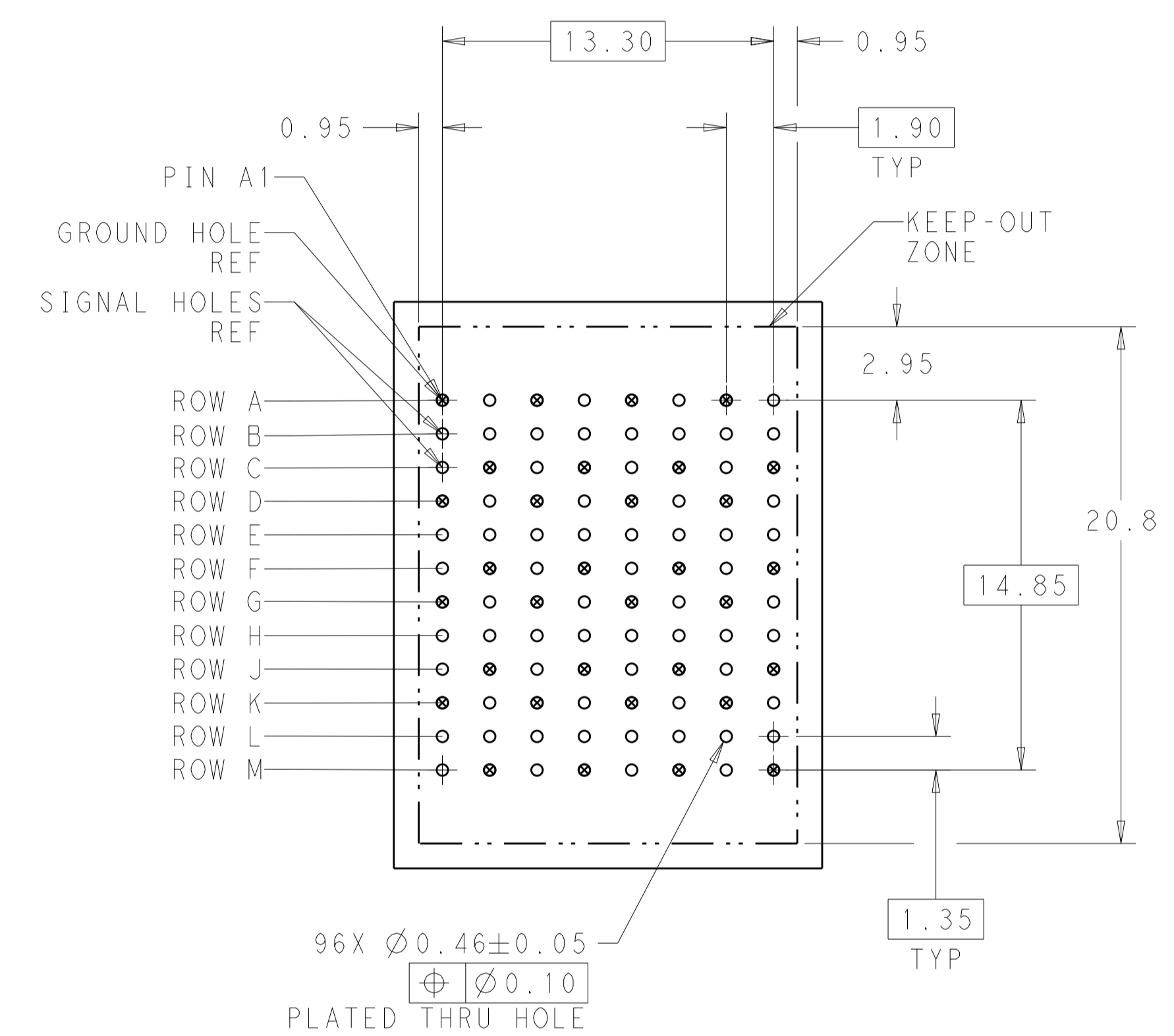


REVISIONS				
P.	LTN	DESCRIPTION	DATE	OWN APVD
A1		REVISED PER ECO-15-001494	05FEB2015	AP DD



1 MATERIAL:
 HOUSING: LCP, GLASS FILLED, UL94V-0.
 TERMINALS: HIGH PERFORMANCE COPPER ALLOY.

2 FINISH:
 30μ" MIN GOLD IN CONTACT AREA. SELECTIVE TIN
 ON PCB TAILS, NICKEL OVERALL.



96X $\varnothing 0.46 \pm 0.05$
 $\varnothing 0.10$
 PLATED THRU HOLE

UNGUIDED
 BACKPLANE HOLE PATTERN
 (CONNECTOR SIDE)

THIS DRAWING IS A CONTROLLED DOCUMENT.		OWN R. GRZYBOWSKI 14JUN2011	TE Connectivity	
DIMENSIONS:		CHK J. EARY 14JUN2011	NAME	
mm	TOLERANCES UNLESS OTHERWISE SPECIFIED:	APVD J. EARY 14JUN2011	PRODUCT SPEC	
	0 PLC ± 1 PLC ±0.25 2 PLC ±0.13 3 PLC ± 4 PLC ± ANGLES ±	APPLICATION SPEC	SIZE CAGE CODE DRAWING NO RESTRICTED TO	
MATERIAL	FINISH SEE TABLE	WEIGHT	A100779C=2057442	
CUSTOMER DRAWING		SCALE 6:1	SHEET 1 OF 2	REV A1

THIS DRAWING IS UNPUBLISHED. RELEASED FOR PUBLICATION 20
 © COPYRIGHT 20 BY - ALL RIGHTS RESERVED.

REVISIONS					
P.	LTN	DESCRIPTION	DATE	DMN	APVD
-		SEE SHEET 1	-	-	-

	5.5	2057442-3
	4.9	2057442-2
	4.5	2057442-1
FINISH	DIM M	PART NUMBER

REFER TO WWW.TE.COM
FOR PRODUCT AVAILABILITY

THIS DRAWING IS A CONTROLLED DOCUMENT.		DMN R. GRZYBOWSKI 14JUN2011		TE Connectivity
		CHK J. EARY 14JUN2011		
DIMENSIONS:		APVD J. EARY 14JUN2011	NAME	
mm	TOLERANCES UNLESS OTHERWISE SPECIFIED:	PRODUCT SPEC	IMPACT, 4 PAIR, 8 COLUMN, HEADER	
	0 PLC ±	APPLICATION SPEC	UNGUIDED, OPEN END WALL	
	1 PLC ±0.25		SIGNAL MODULE, 0.46 PTH	
	2 PLC ±0.13		SIZE	CAGE CODE
	3 PLC ±		A1	00779
	4 PLC ±		DRAWING NO	
	ANGLES ±		C=2057442	
MATERIAL	FINISH	WEIGHT	RESTRICTED TO	
-	SEE TABLE	-	-	
-	-	CUSTOMER DRAWING	SCALE	SHEET
			5:1	2 OF 2
				REV A1

单击下面可查看定价，库存，交付和生命周期等信息

[>>TE Connectivity\(泰科\)](#)