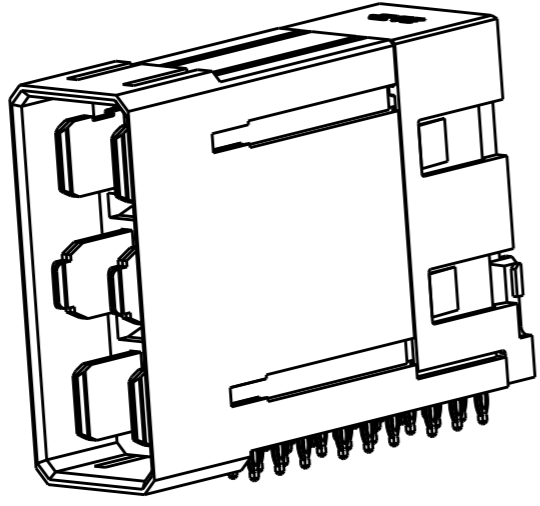


THIS DRAWING IS UNPUBLISHED. RELEASED FOR PUBLICATION 20  
 © COPYRIGHT 20 TE CONNECTIVITY ALL RIGHTS RESERVED.

LOC	DIST	REVISIONS			
P	LTR	DESCRIPTION	DATE	DWN	APVD
GP	00	1	DRAFT	30AUG2012	LW SY



NOTES:

- 1. MATERIALS:  
HOUSING: HIGH TEMP. THERMOPLASTIC GLASS/MINERAL FILLED UL94V-0  
TERMINAL: COPPER ALLOY
- 2. FINISH:  
TIN OPTION-0.76um MIN GOLD AT CONTACT AREA AND  
1.27um MIN NICKEL UNDERPLATED OVER ALL  
2.54um TIN AT SOLDER TAIL AREA  
TIN-LEAD OPTION-0.76um MIN GOLD AT CONTACT AREA AND  
1.27um MIN NICKEL UNDERPLATED OVER ALL  
2.54um TIN-LEAD AT SOLDER TAIL AREA
- 3. REFER TO TE'S PRODUCT SPECIFICATION: 108-2473  
FOR PLATED THROUGH-HOLE SPECIFICATION AND TORQUE FORCE
- 4. CONNECTOR WERE PACKED BY TRAY  
REFER TO TE'S PACKAGING SPECIFICATION: 107-\*\*\*
- 5. MATED WITH \*-2169862-\*
- 6. LASER MARK PART NUMBER AND DATE CODE (YYWWDS)  
CAN BE AT THE OPPOSITE SIDE
- 7. KEEP OUT ZONE FROM OTHER COMPONENT

PACKAGING	PLATING TYP	P3	P2	P1	PART NUMBER
TRAY	NIT	6.90	6.90	5.70	2169872-8
		5.70	5.70	6.90	2169872-7
		6.90	5.70	5.70	2169872-6
		6.90	6.90	6.90	2169872-5
		6.90	6.90	5.70	2169872-4
		5.70	5.70	6.90	2169872-3
		6.90	5.70	5.70	2169872-2
		6.90	6.90	6.90	2169872-1

THIS PRINT IS  
**PRELIMINARY**  
 UNQUALIFIED PRODUCT  
 CONTACT PRODUCT ENGINEERING  
 BEFORE USING THIS PRINT

THIS DRAWING IS A CONTROLLED DOCUMENT.		DWN L. WANG 30AUG2012	<b>TE</b> TE Connectivity	
DIMENSIONS: mm		CHK S. YAN 30AUG2012		
TOLERANCES UNLESS OTHERWISE SPECIFIED:		APVD A. CAI 30AUG2012	NAME IMPACT POWER 6 PAIR RIGHT ANGLE HEADER PRESS-FIT	
0 PLC ±-- 1 PLC ±-- 2 PLC ±0.25 3 PLC ±-- 4 PLC ±-- ANGLES ±3°		PRODUCT SPEC 108-2473	SIZE A3	
MATERIAL 1		APPLICATION SPEC 114-32028	CAGE CODE 00779	DRAWING NO C-2169872
FINISH 2		WEIGHT -	RESTRICTED TO -	
Customer Drawing			SCALE 1:1	SHEET 1 OF 3
			REV 1	

4

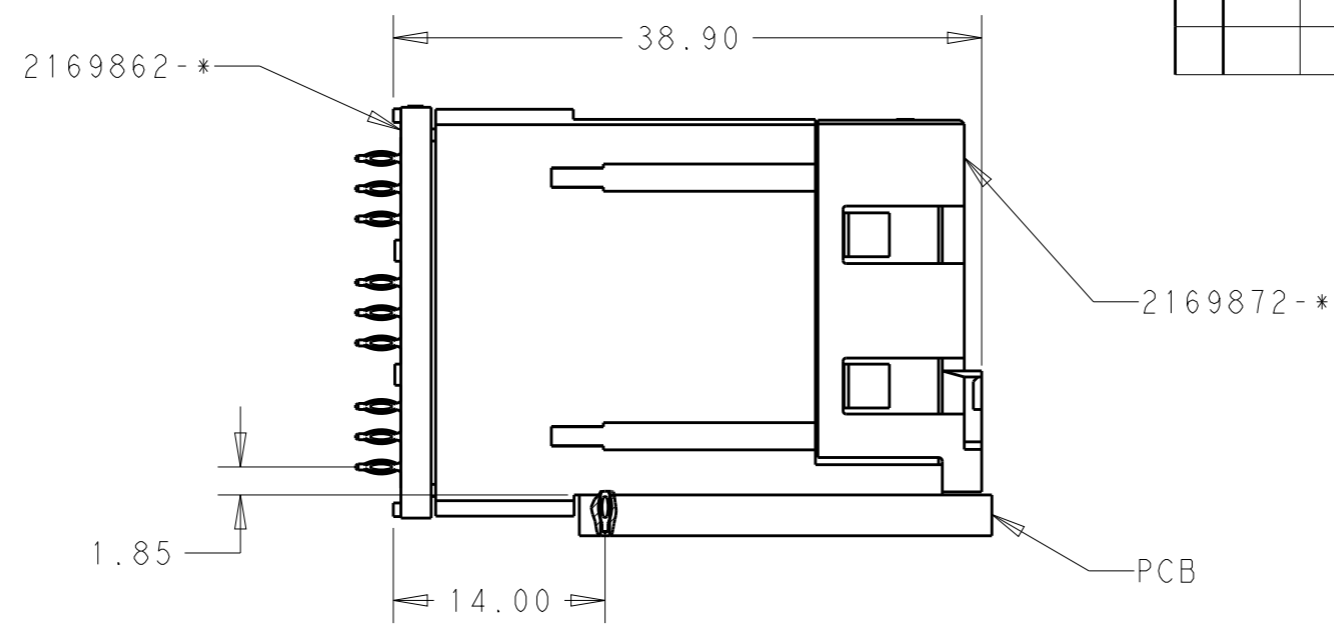
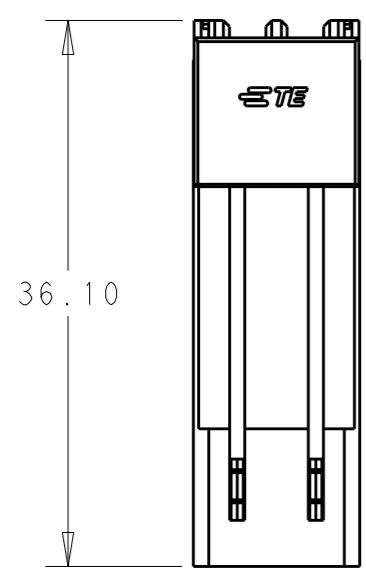
3

2

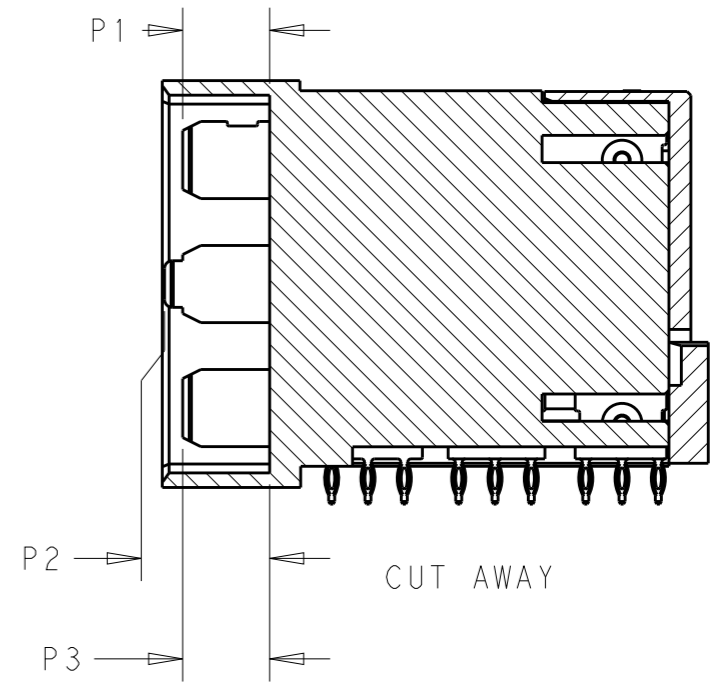
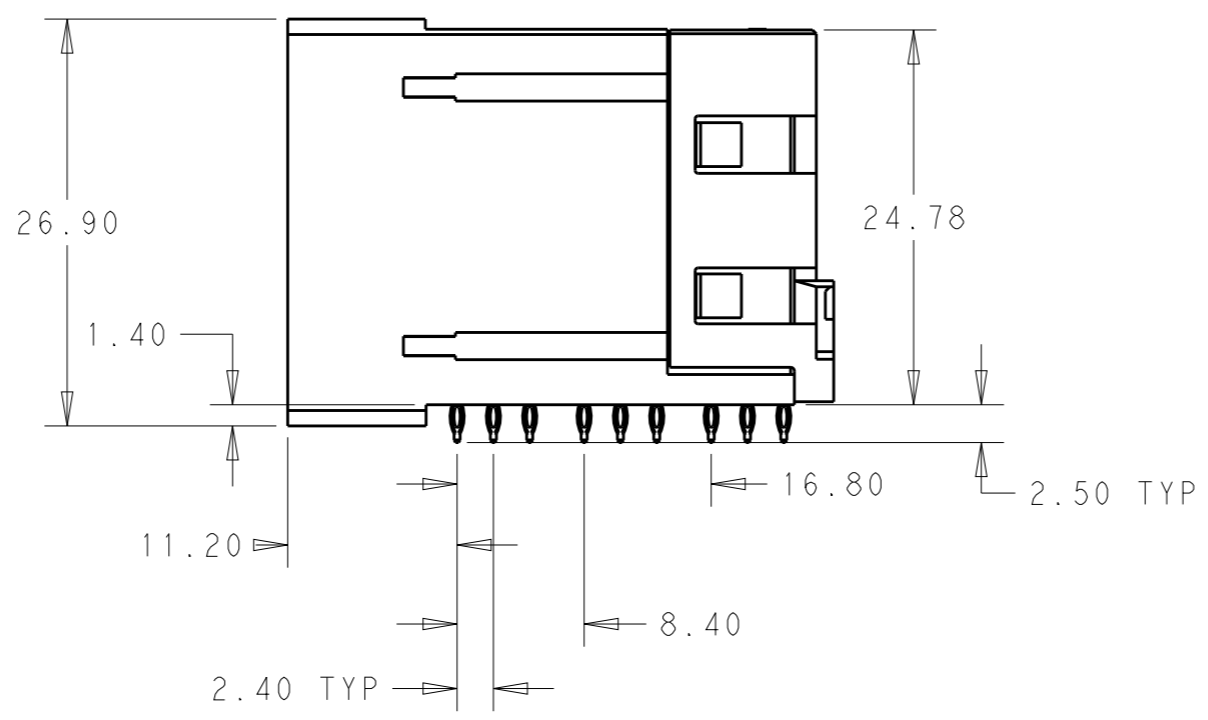
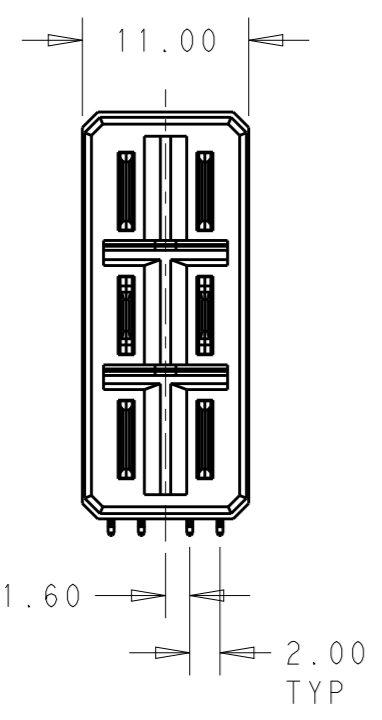
1


THIS DRAWING IS UNPUBLISHED. RELEASED FOR PUBLICATION 20  
© COPYRIGHT 20 TE CONNECTIVITY ALL RIGHTS RESERVED.

LOC	DIST	REVISIONS				
P	LTR	DESCRIPTION	DATE	DWN	APVD	
GP	00	SEE SHEET 1	-	-	-	



MATED SYSTEM WITH 2169872



THIS DRAWING IS A CONTROLLED DOCUMENT.		DWN L. WANG 30AUG2012	 TE Connectivity	
DIMENSIONS: mm		CHK S. YAN 30AUG2012		
TOLERANCES UNLESS OTHERWISE SPECIFIED:		APVD A. CAI 30AUG2012	NAME IMPACT POWER 6 PAIR RIGHT ANGLE HEADER PRESS-FIT	
0 PLC ±--		PRODUCT SPEC 108-2473	SIZE A3	CAGE CODE 00779
1 PLC ±--		APPLICATION SPEC 114-32028	DRAWING NO C-2169872	RESTRICTED TO -
2 PLC ±0.25		WEIGHT -		
3 PLC ±--		Customer Drawing		
4 PLC ±--		SCALE 1:1		
ANGLES ±3°		SHEET 2 OF 3		
FINISH		REV 1		

4

3

2

1

THIS DRAWING IS UNPUBLISHED.

RELEASED FOR PUBLICATION

20

© COPYRIGHT 20

TE CONNECTIVITY

ALL RIGHTS RESERVED.

LOC  
GPDIST  
00

REVISIONS

P	LTR	DESCRIPTION	DATE	DWN	APVD
-	-	SEE SHEET 1	-	-	-

CONNECTOR WITH PCB

RECOMMENDED PCB LAYOUT  
(COMPONENT SIDE SHOWN)  
MINIMUM BOARD THICKNESS: 1.60MM

THIS DRAWING IS A CONTROLLED DOCUMENT.

DWN 30AUG2012

L. WANG

CHK 30AUG2012

S. YAN

APVD 30AUG2012

A. CAI

PRODUCT SPEC

108-2473

APPLICATION SPEC

114-32028

WEIGHT

-

Customer Drawing

TE Connectivity

NAME

IMPACT POWER 6 PAIR  
RIGHT ANGLE HEADER  
PRESS-FIT

SIZE

CAGE CODE

DRAWING NO

RESTRICTED TO

A3

00779

C-2169872

-

DIMENSIONS:

mm

TOLERANCES UNLESS OTHERWISE SPECIFIED:

0 PLC	±--
1 PLC	±--
2 PLC	±0.25
3 PLC	±--
4 PLC	±--
ANGLES	±3°

MATERIAL

FINISH

1470-19 (3/11)

Downloaded From [Onezac.com](http://Onezac.com)

单击下面可查看定价，库存，交付和生命周期等信息

[>>TE Connectivity\(泰科\)](#)