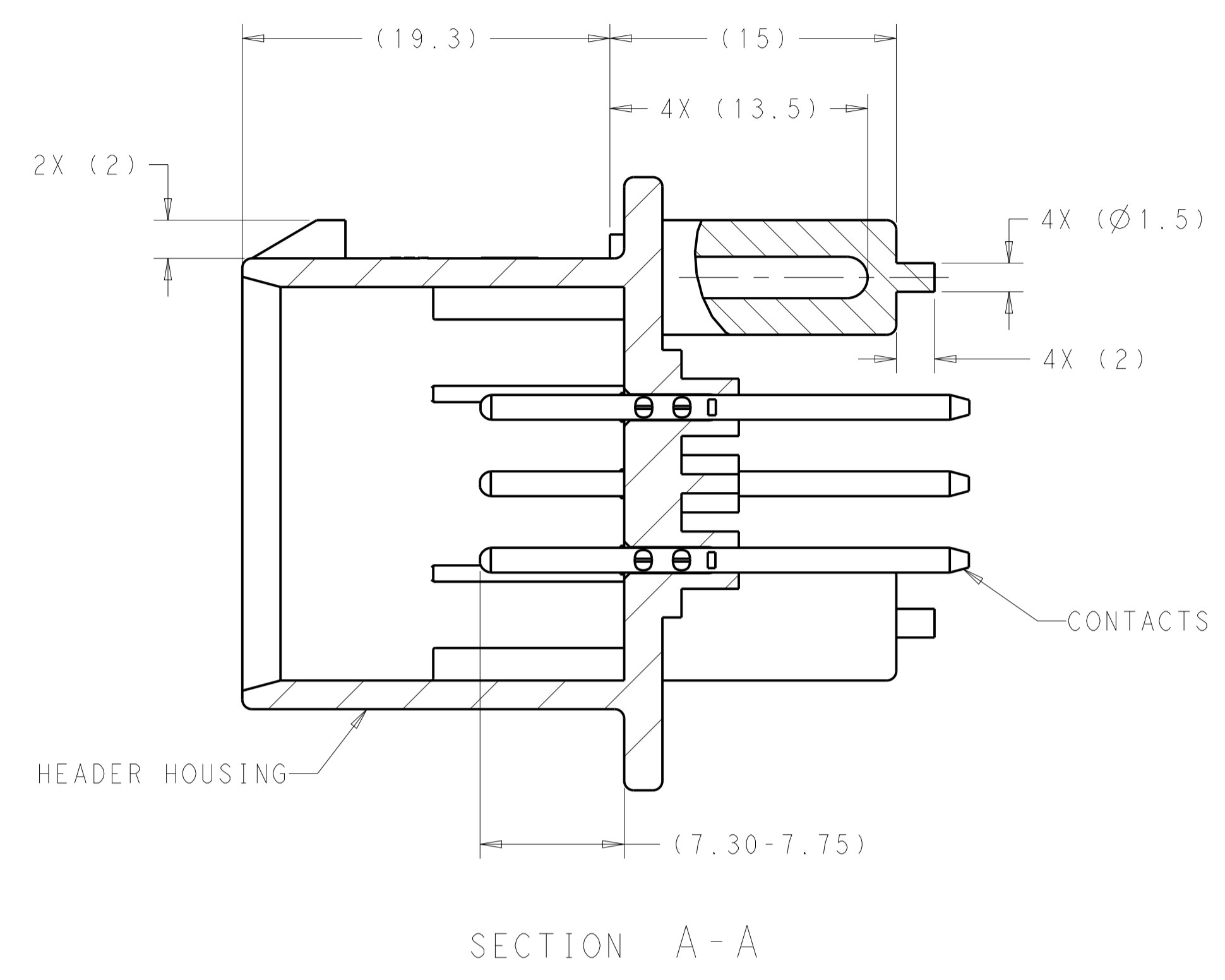
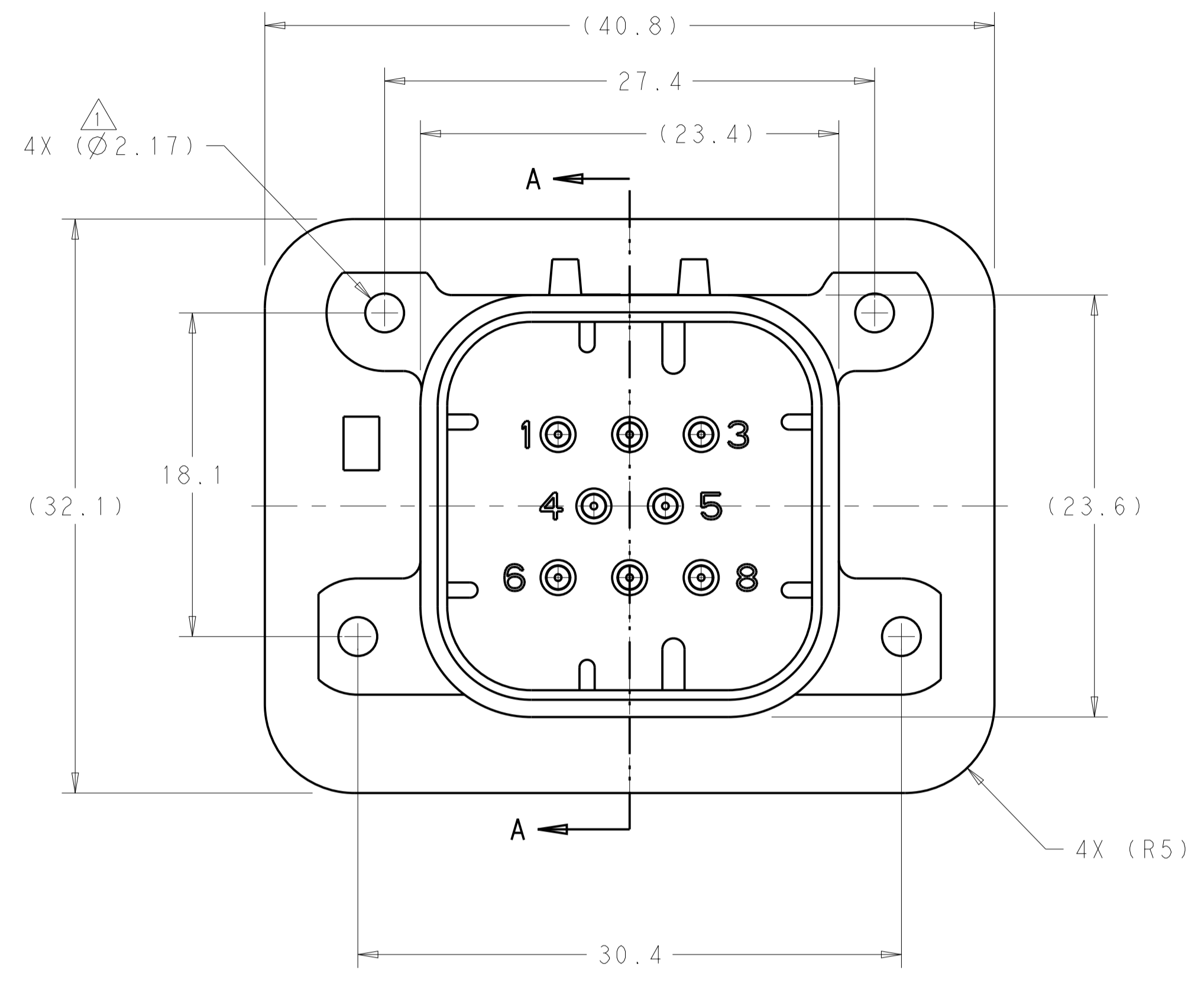
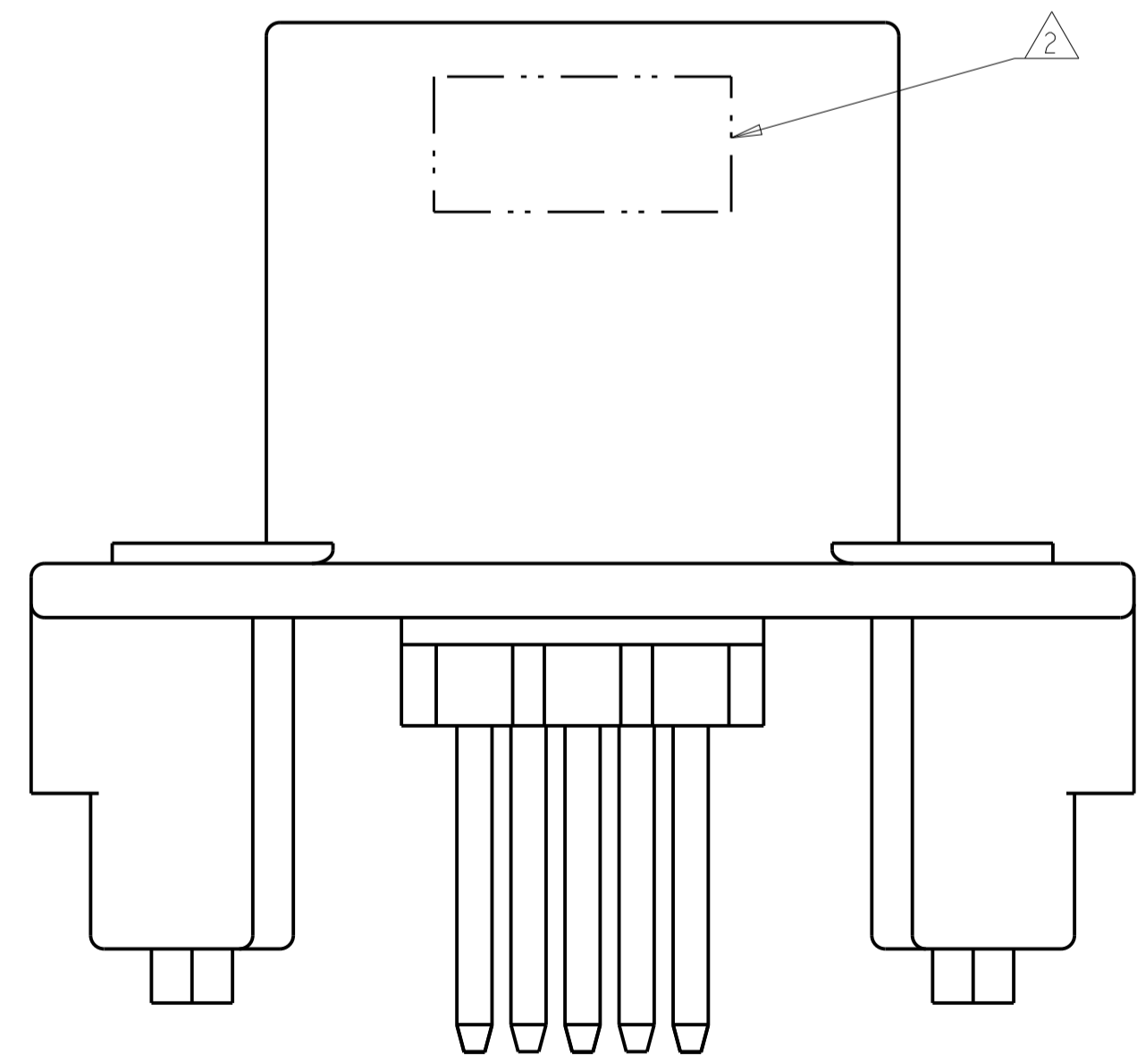


REVISIONS				
P.	LTN	DESCRIPTION	DATE	APVD
B11		REV PER ECO-21-001365	29JAN2021	DS DS



- ⚠ SUGGESTED MOUNTING SCREW SIZE IS $\varnothing 2.50-3.00\text{mm}$ [$\varnothing 0.099 - 0.118$ INCH] SELF TAPPING THREAD FORMING SCREW, SUCH AS DELTA PT, TO BE DRIVEN AT 0.6-0.8 N-m. THE CUSTOMER SHOULD TEST THE SCREW SIZE AND TYPE IN ORDER TO VERIFY THEIR SELECTION FOR THEIR APPLICATION.
- ⚠ DATE CODE IN THIS LOCATION USING 5 DIGIT CODE. FIRST 2 DIGITS = YEAR, SECOND 2 DIGITS = WEEK, LAST DIGIT = DAY.
- ⚠ MATERIALS: HEADER HOUSING - GLASS FILLED PBT; PINS - TIN OR GOLD PLATED BRASS.
- ⚠ HOUSING COLORS ARE MECHANICALLY KEYS TO MATE ONLY WITH IDENTICALLY COLORED PLUG ASSEMBLIES.
- 5. HEADER MATES TO PLUG ASSEMBLY 776286 WHICH USES REELED TERMINAL 770520 OR LOOSE PIECE TERMINAL 770854.

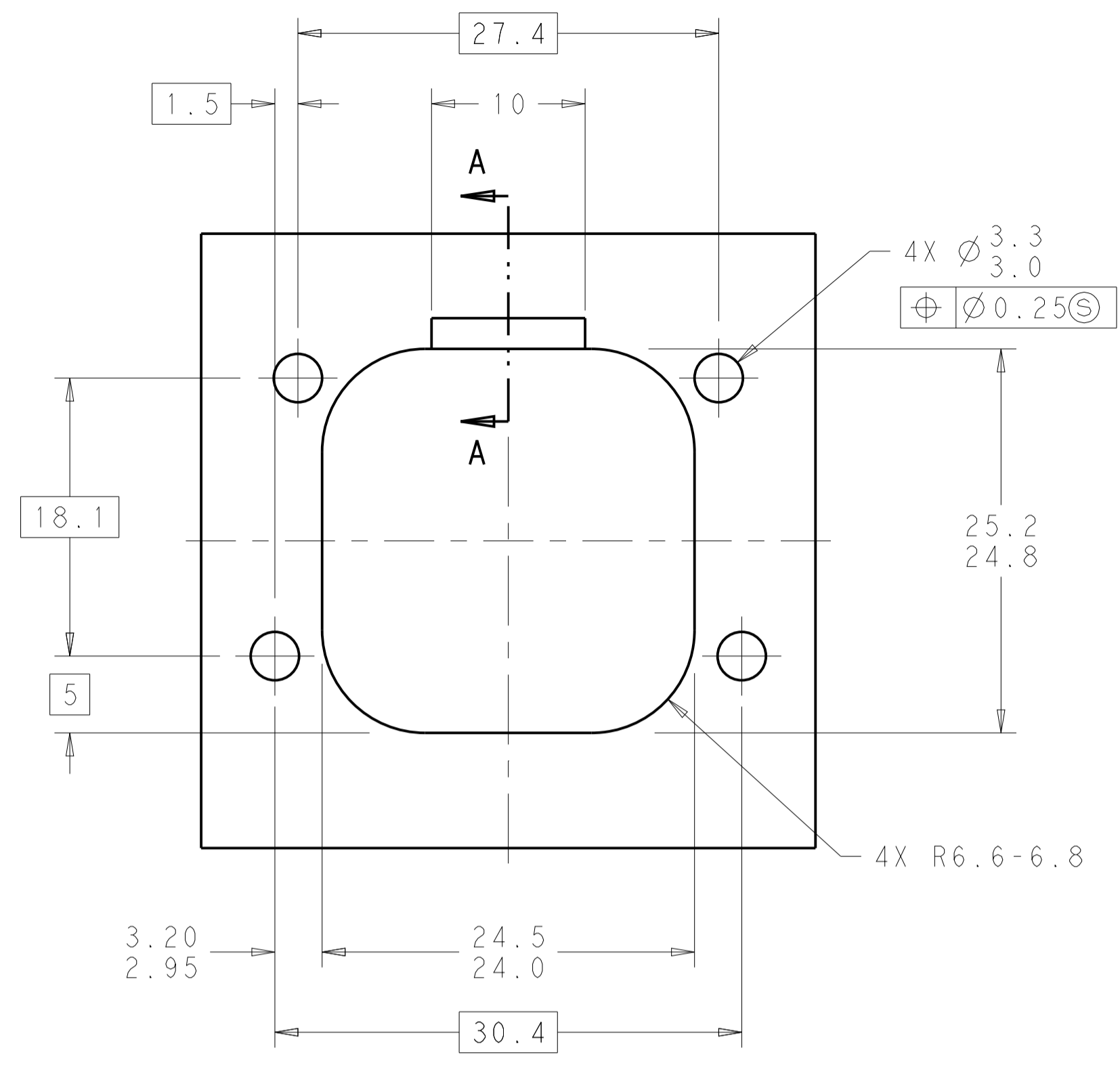


776275-1 & 1-776275-1 SHOWN

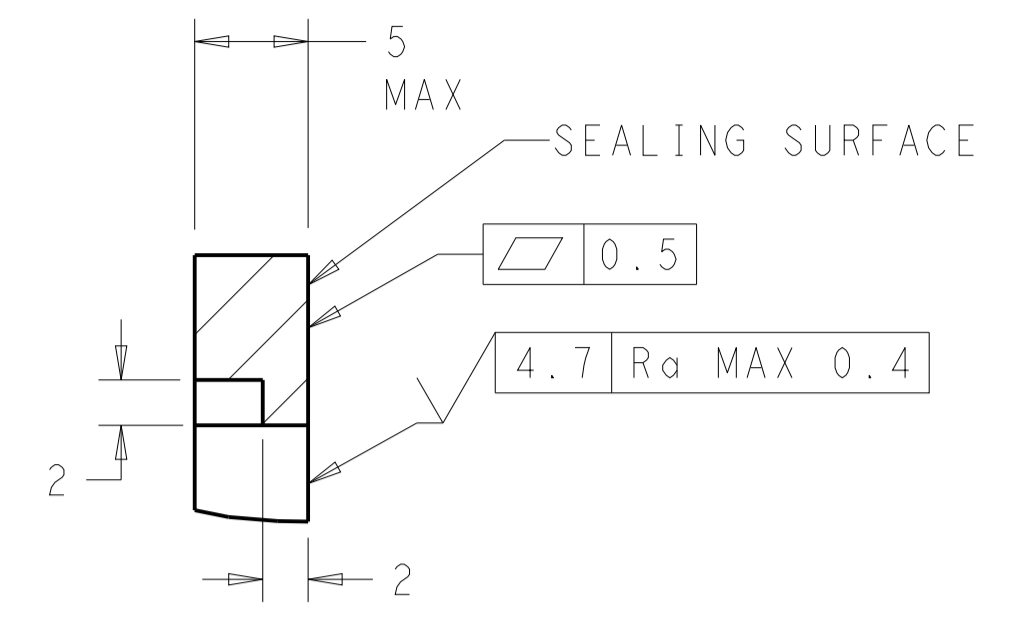
HEADER COLOR	PLATING	PART NUMBER
NATURAL	GOLD	1-776275-2
BLACK	GOLD	1-776275-1
NATURAL	TIN	776275-2
BLACK	TIN	776275-1

THIS DRAWING IS A CONTROLLED DOCUMENT.		OWN: D. STRAUSSER 29JAN2010		NAME: HEADER ASSEMBLY, 8 POSITION, VERTICAL, AMPSEAL SIZE: CAGE CODE DRAWING NO: A100779 WEIGHT: 13.12g CUSTOMER DRAWING
DIMENSIONS: mm		CHK: D. STRAUSSER 22MAR2010		
TOLERANCES UNLESS OTHERWISE SPECIFIED:		APVD: D. STRAUSSER 27APR2010		
0 PLC ± 0.2 1 PLC ± 0.2 2 PLC \pm 3 PLC \pm 4 PLC \pm ANGLES \pm		PRODUCT SPEC: 108-1329 APPLICATION SPEC: 114-16016 SCALE: 4:1		
MATERIAL: 3		FINISH: 3		RESTRICTED TO: 11

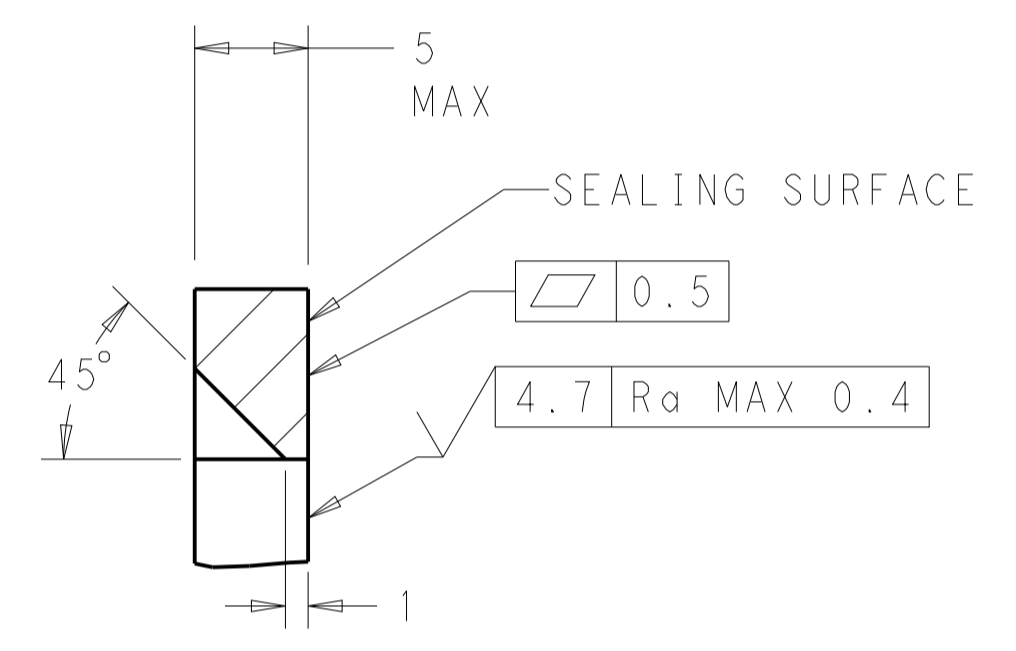
REVISIONS				
P.	LTN.	DESCRIPTION	DATE	APVD.
-	-	SEE SHEET 1	-	-



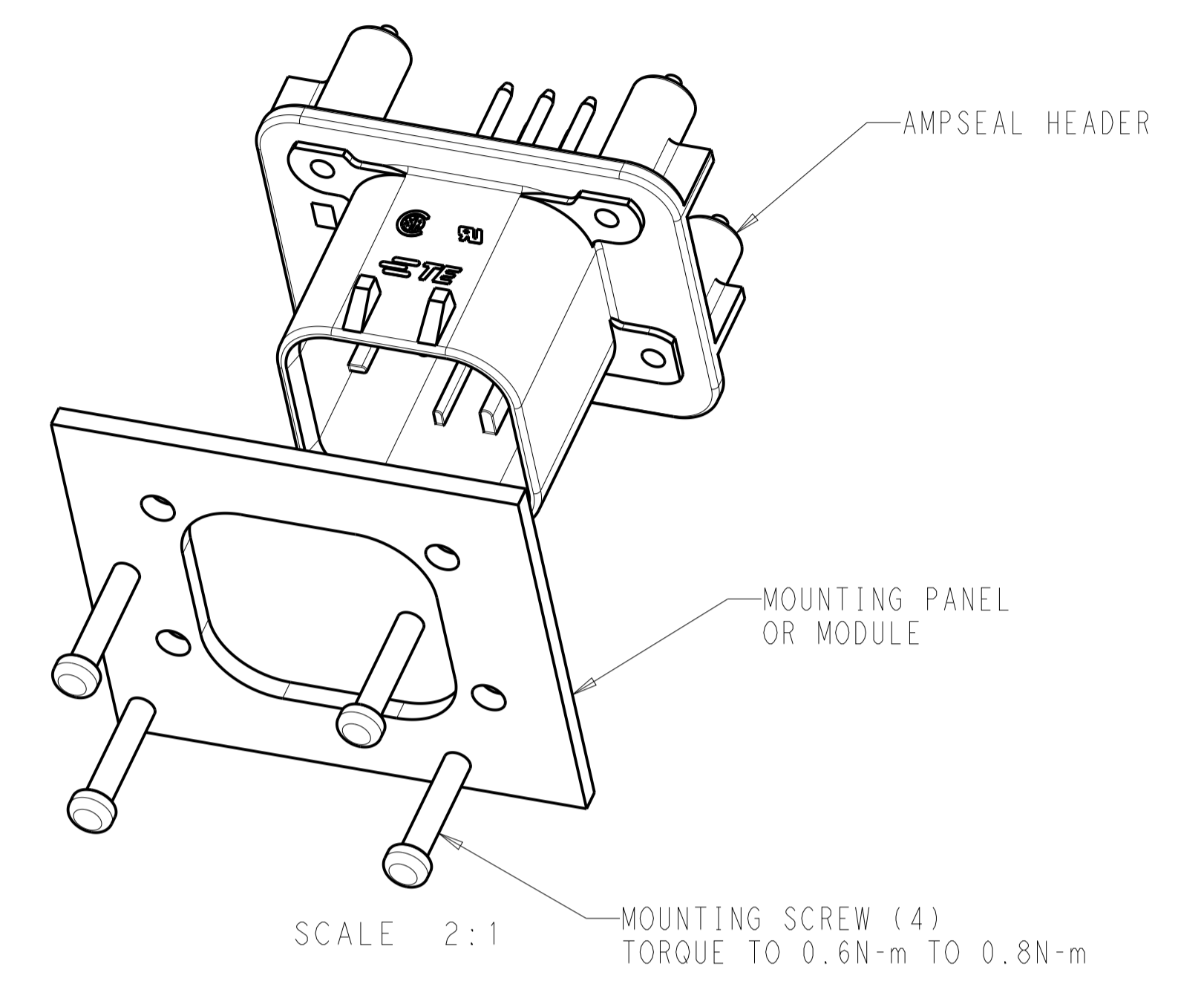
RECOMMENDED MOUNTING HOLE LAYOUT FOR 5.0 MAX THICK PANEL



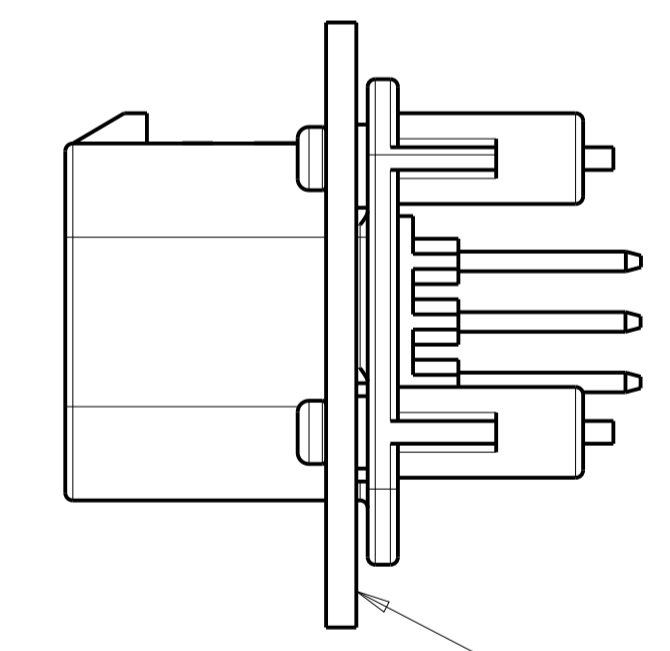
SECTION A-A
OPTIONAL CONSTRUCTION IF PANEL THICKNESS IS GREATER THAN 2.0



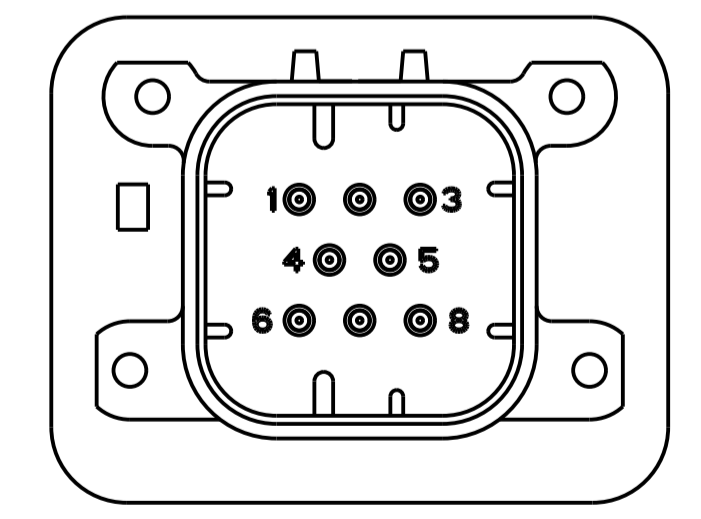
SECTION A-A
OPTIONAL CONSTRUCTION IF PANEL THICKNESS IS GREATER THAN 2.0



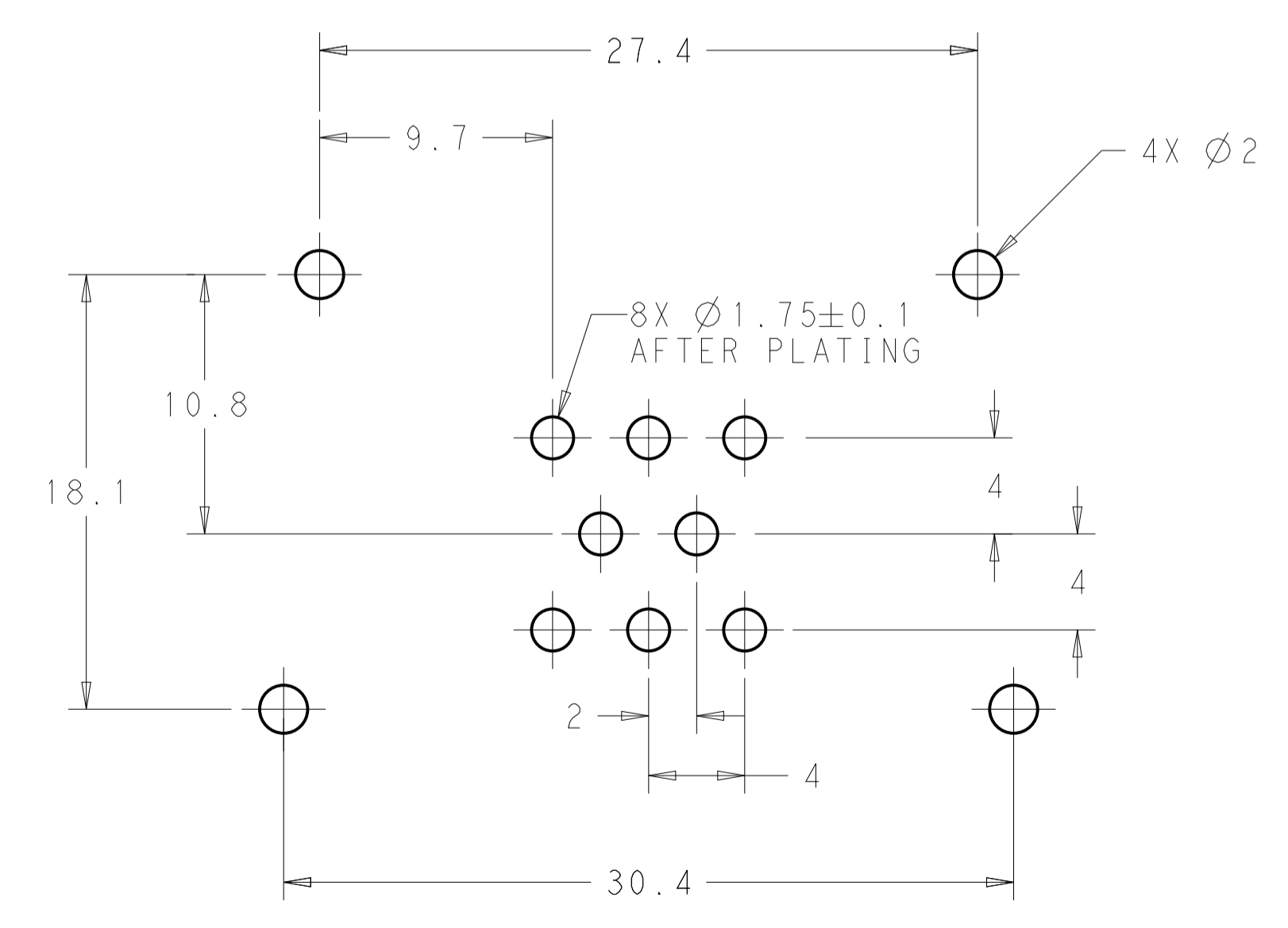
SCALE 2:1
MOUNTING SCREW (4)
TORQUE TO 0.6N-m TO 0.8N-m



SCALE 2:1
ENSURE THE HEADER IS FLUSH TO THE PANEL FACE ALL AROUND BEFORE TIGHTENING TO FINAL TORQUE



776275-2 & 1-776275-2
KEY LOCATION
SCALE 2:1



RECOMMENDED P.C. BOARD LAYOUT FOR 1.57 THICK P.C. BOARD

THIS DRAWING IS A CONTROLLED DOCUMENT.		DWN: D. STRAUSSER 29 JAN 2010 CHK: D. STRAUSSER 22 MAR 2010 APVD: D. STRAUSSER 27 APR 2010	TE Connectivity	
DIMENSIONS: mm 		TOLERANCES UNLESS OTHERWISE SPECIFIED: 0 PLC ±0.2 1 PLC ±0.13 2 PLC ±0.13 3 PLC ±0.13 4 PLC ±0.13 ANGLES ±1° FINISH	PRODUCT SPEC: 108-1329 APPLICATION SPEC: 114-16016 WEIGHT: 22.48g	NAME: HEADER ASSEMBLY, 8 POSITION, VERTICAL, AMPSEAL SIZE: A1 CAGE CODE: 00779 DRAWING NO: 776275
MATERIAL:		114-16016	SCALE: 4:1	SHEET: 2 OF 2 REV: 11

单击下面可查看定价，库存，交付和生命周期等信息

[>>TE Connectivity\(泰科\)](#)