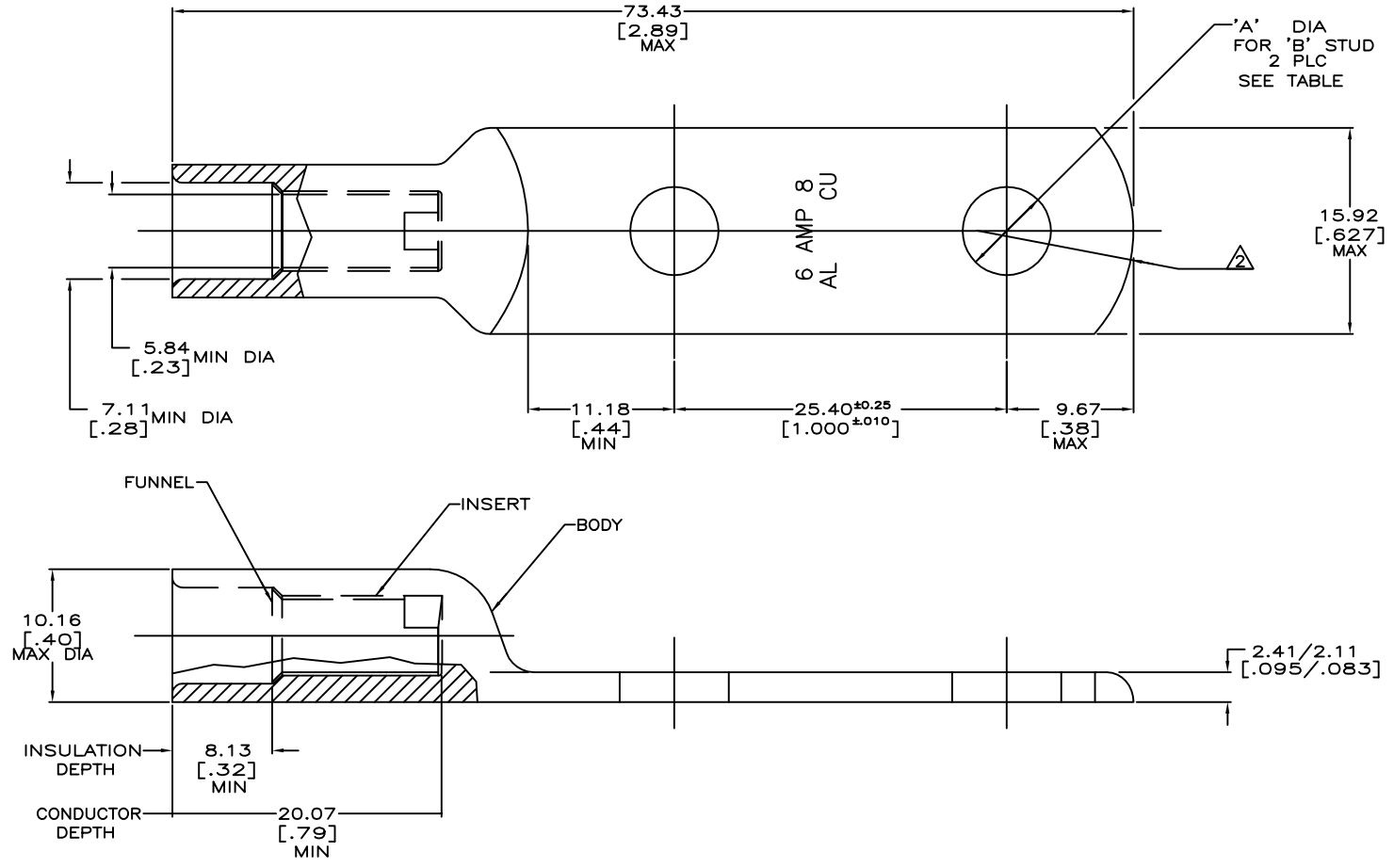


THIS DRAWING IS UNPUBLISHED. RELEASED FOR PUBLICATION
 © COPYRIGHT - By - ALL RIGHTS RESERVED.

REVISIONS					
P	LTR	DESCRIPTION	DATE	CHK	APPD
K		REV PER ECO 18-000671	2-16-18	CT	PD



1 WIRE INSULATION: 5.72[.225] - 6.35[.250] DIA
 △ THE TONGUE RADIUS FEATURE IS NOT A TOOLING CONTROLLED DIMENSION AND MAY NOT BE A TRUE RADIUS.

23 GRAMS	9.9 ^{+0.13} [.390 ^{±0.005}]	3/8	BODY: COPPER ASTM-B187 ANNEALED TIN PL MIL-T-10727 0.00457[.000150] MIN THK	55832-2
24 GRAMS	6.73 ^{+0.08} [.265 ^{±0.003}]	1/4	INSERT & FUNNEL: BRASS PER ASTM B36 NICKEL PLATE SAE AMS QQ-N-290A, DATED JULY 2000, 0.00254 [0.000100] MIN THK	55832-1
WEIGHT	"A"	"B"	MATERIAL AND FINISH	PART NO.

THIS DRAWING IS A CONTROLLED DOCUMENT.

CHK: DK SCHRUM 5/15/92	DATE: 5/15/92	
APPD: WJ VOCKROTH 5/16/92	DATE: 5/16/92	
NAME: AJ KAUFMAN 5/16/92	NAME:	
PRODUCT SPEC: 108-11011	APPLICATION SPEC: 114-2134	WIRE TERMINAL, COPALUM SEALED, RING TONGUE, WIRE SIZE: 6 AL, 4 COPPER
MATERIAL: SEE TABLE	FINISH: SEE TABLE	SIZE: A2 WEIGHT: 0.000000 CUSTOMER DRAWING
SCALE: 4:1		SHEET: 1 of 1 REV: K

单击下面可查看定价，库存，交付和生命周期等信息

[>>TE Connectivity\(泰科\)](#)