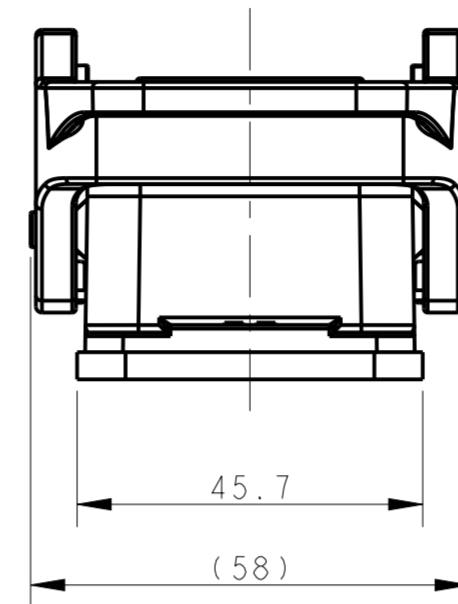
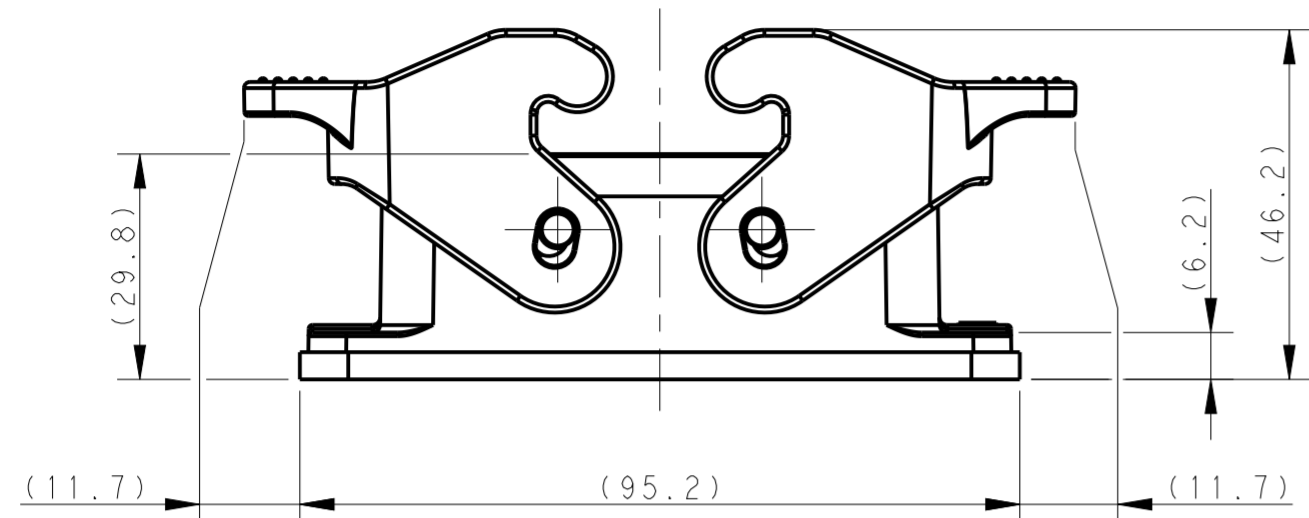


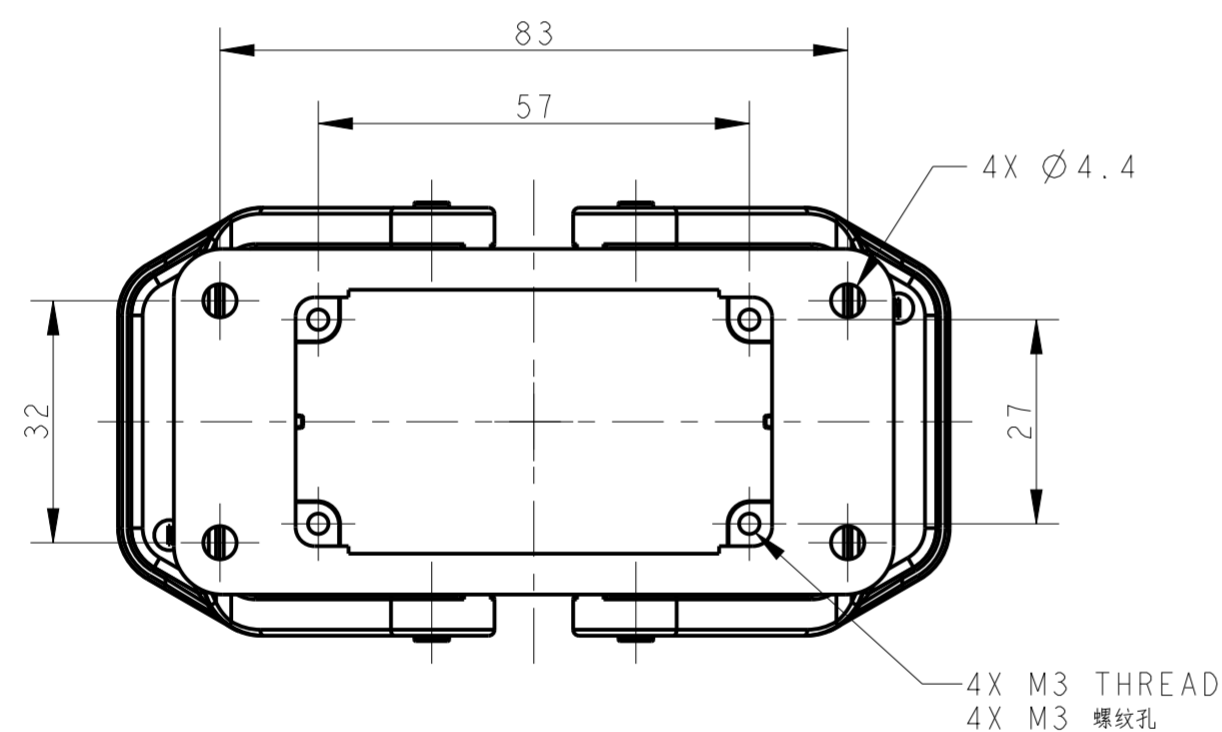
THIS DRAWING IS UNPUBLISHED. RELEASED FOR PUBLICATION 20  
 © COPYRIGHT 20 BY - ALL RIGHTS RESERVED.

REVISIONS					
P	LTR	DESCRIPTION	DATE	DWN	APVD
A		INITIAL RELEASE	06APR2017	DW	CW
B		ECR-20-014388	26NOV2020	WOR	CW

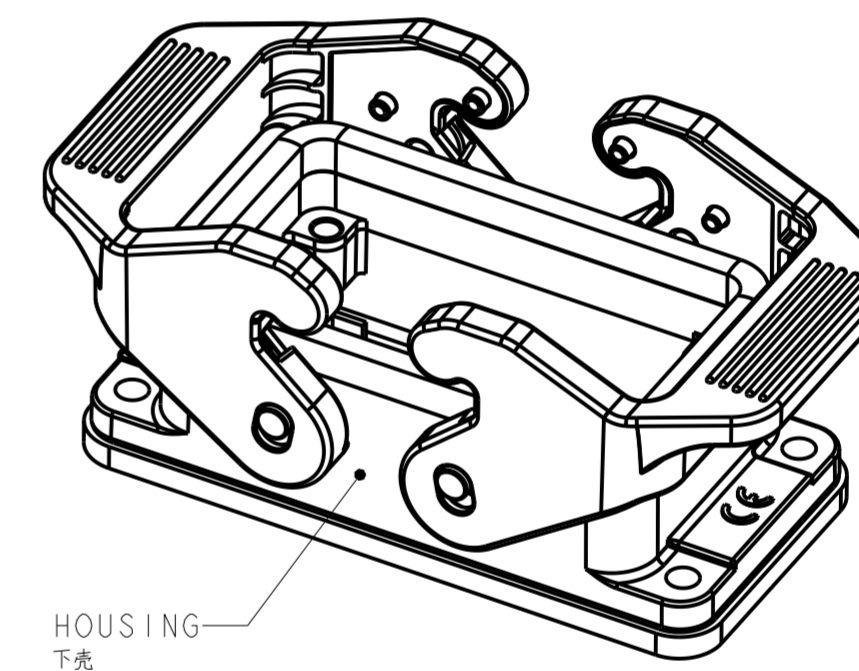
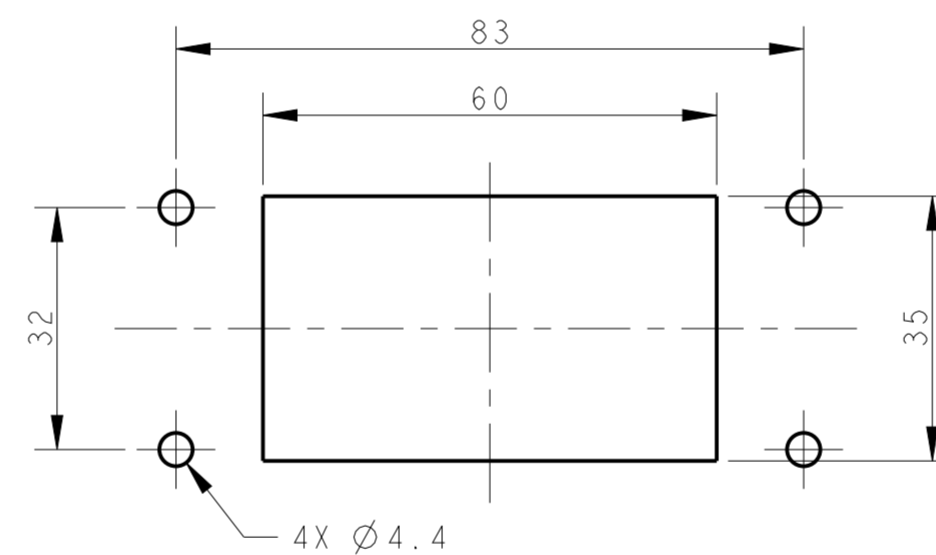


NOTES:  
 1. TECHNICAL CHARACTERISTICS:  
 HOUSING MATERIAL: DIE CAST ALUMINIUM ALLOY  
 HOUSING SURFACE: POWDER COATED, GREY  
 DEGREE OF PROTECTION: IP65 (MATED)

注释:  
 1. 技术参数:  
 下壳材料: 铝合金  
 下壳表面处理: 灰色粉末涂层  
 防护等级: IP65(配合)



PANEL CUT OUT DIMENSION, ONLY FOR REFERENCE  
 面板开口尺寸, 仅供参考



TI410100000-000	H10B-AG-SL	H10B HOUSING, BULKHEAD MOUNTED, PLASTIC DOUBLE LOCKING POWDER COATED, GREY H10B下壳, 开孔安装, 塑料双扣, 灰色粉末喷涂
PART NUMBER 零件料号		PART DESCRIPTION 零件描述

THIS DRAWING IS A CONTROLLED DOCUMENT.		DWN 06APR2017 DAVID WANG	TE Connectivity	
DIMENSIONS: mm		CHK 06APR2017 CHRIS WANG		
TOLERANCES UNLESS OTHERWISE SPECIFIED:		APVD 06APR2017 XIANG XU	NAME H10B-AG-SL	
0 PLC ±-		PRODUCT SPEC	SIZE	
1 PLC ±-		108-137018	CAGE CODE	
2 PLC ±-		APPLICATION SPEC	DRAWING NO	
3 PLC ±-		114-137018	RESTRICTED TO	
4 PLC ±-		WEIGHT	A200779	
ANGLES ±-		CUSTOMER DRAWING	SCALE 1:1	
FINISH		SHEET 1 OF 1		REV B

单击下面可查看定价，库存，交付和生命周期等信息

[>>TE Connectivity\(泰科\)](#)