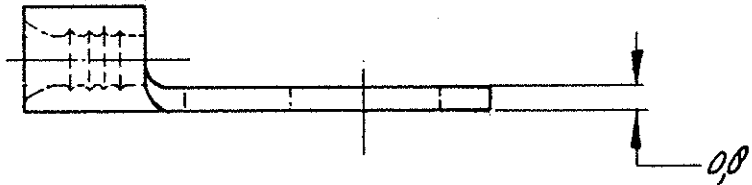
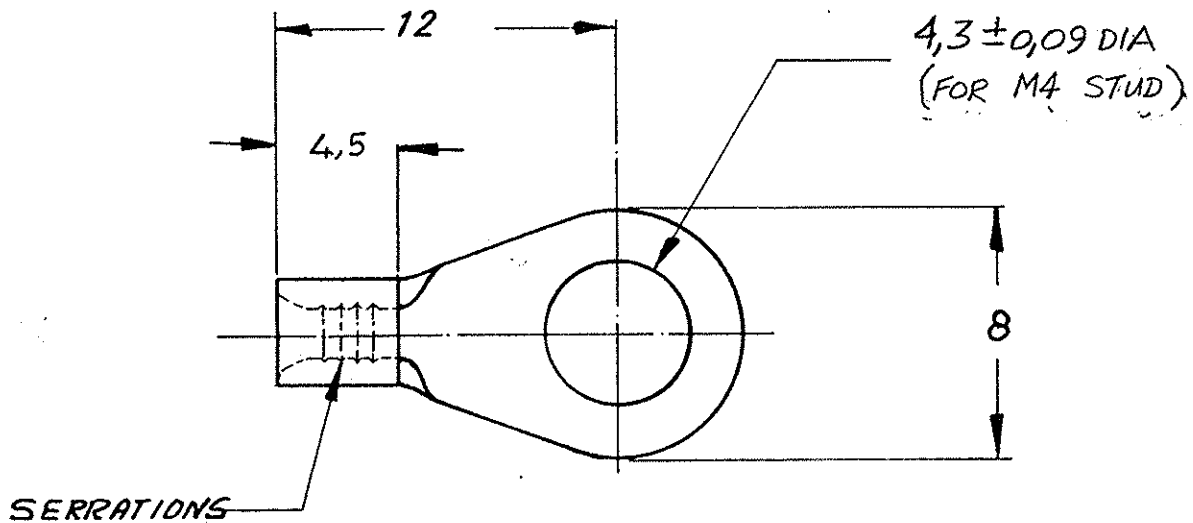


DRAWING MADE IN AMERICAN PROJECTION

NUMBER C-165297-E



DIMENSIONS IN M.M. DO NOT SCALE PRINT

CUSTOMER COPY FOR REFERENCE ONLY

©1967 BY AMP-HOLLAND N.V. ALL RIGHTS RESERVED A-MP PRODUCTS COVERED BY PATENTS AND/OR PATENTS PENDING.



AMP-HOLLAND N.V.
's-HERTOGENBOSCH
HOLLAND

WIRE-RANGE 15-25 mm ²	INSUL.-RANGE —H—	TYPE - DIN - SOLISTRAND
-------------------------------------	---------------------	----------------------------

165297	COPPER	TINPLATED
ORDER NO.	MATERIAL	PLATING

SCALE —H—	LOC H	SIZE A	NO C-165297-E	REV D1
--------------	----------	-----------	------------------	-----------

DR R. DHONDT.	23/ DATE 16-67	DF R. S. J. J. J.	25/ DATE 12/67
CHK	DATE	APP B. B.	25/ DATE 12-6

NAME RINGTONGUE stud: M4

单击下面可查看定价，库存，交付和生命周期等信息

[>>TE Connectivity\(泰科\)](#)