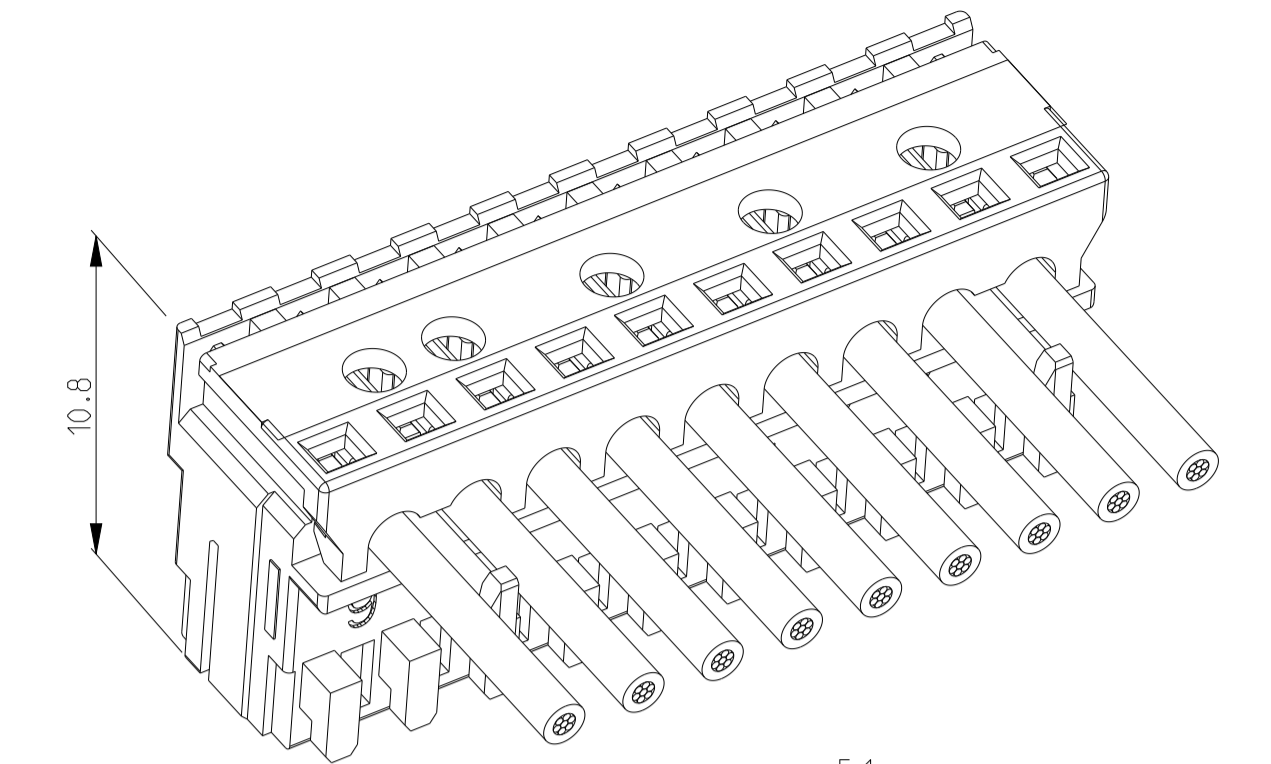
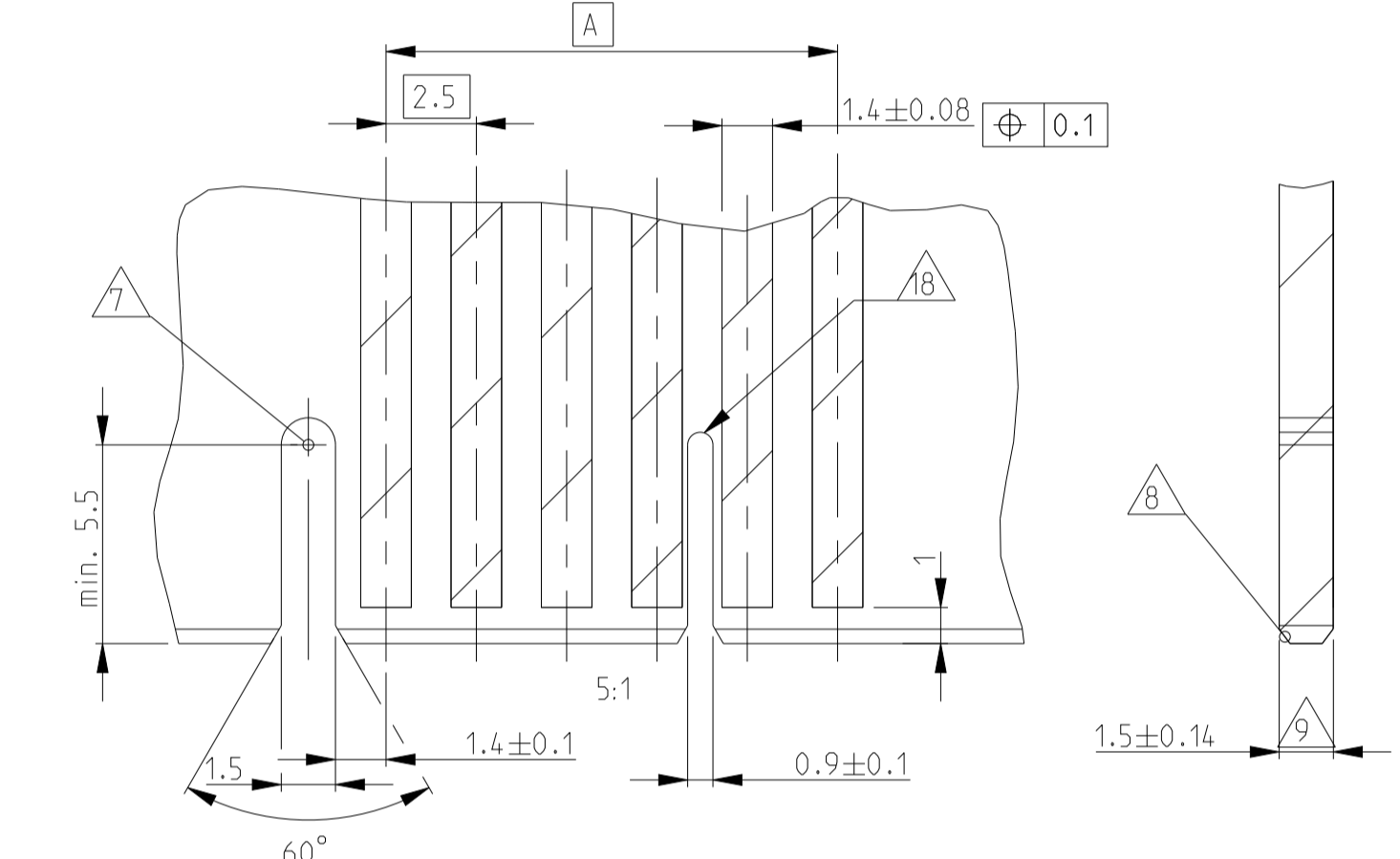


- △29 CAVITY ID STARTS WITH LETTER FOR PARTS PRODUCTION IN QINGDAO PLANT, SUCH AS "A1."
- △28 STRIPE IN YELLOW COLOR WHERE SHOWN PRESENT ON THE PARTS PRODUCED IN TE COLLEGO ONLY
- △27 DIMENSION AVAILABE FOR PART X-2304525-X, X-2304526-X.
- △26 WITH SPECIAL CHAIN FEATURE
- △25 SIDE KEYING ON LAST CAVITY THICKNESS=1.5mm
- △24 SIDE KEYING ON CAVITY 1 THICKNESS=1.5mm
- △19 COLOR STRIP ON COVER OF HOUSING. NOT THE COLOR OF HOUSING.
- △18 SLOT. THICK. BETWEEN CAVITIES
- △17 KEYING. THICK. BETWEEN POSITION
- △16 SLOT. SLIM. FOR SIDE KEYING. LAST CAVITY
- △15 SLOT. SLIM. FOR SIDE KEYING. SIDE CAVITY 1
- △14 SIDE KEYING. SLIM. ON LAST CAVITY
- △13 SIDE KEYING. SLIM. ON CAVITY 1
- △12 KEYING SLIM BETWEEN POSITIONS
- △11 PRELIMINARY PART NOT RELEASED FOR PRODUCTION
- △10 TE LOGO
- △9 INCLUSIVE COPPER LOADING
- △8 PCB PREFERABLY CHAMFERED
- △7 SLOT. THICK. FOR SIDE KEYING
- △6 SIDE KEYING. THICK. ON LAST CAVITY
- 5 WIRE RANG: 0.22-0.35mm<sup>2</sup> SEE APPLICATION SPEC. 114-18467
- △4 IEC60695-2-11 / IEC60335-1 GLOW WIRE TEST 750 °C WITHOUT FLAME
- △3 X..CAVITY LOADED WITH CONTACT  
O..CAVITY WITHOUT CONTACT
- 2 MATING PART: PCB (WITH FRAMES ACC. RAST 2.5 E.G. PN 964 575/576  
TAB HEADER (FOR EXAMPLE: X-1971921/922-Y)
- △1 KEYING RIBS: CUTTING WITH TERMINATION MACHINE POSSIBLE

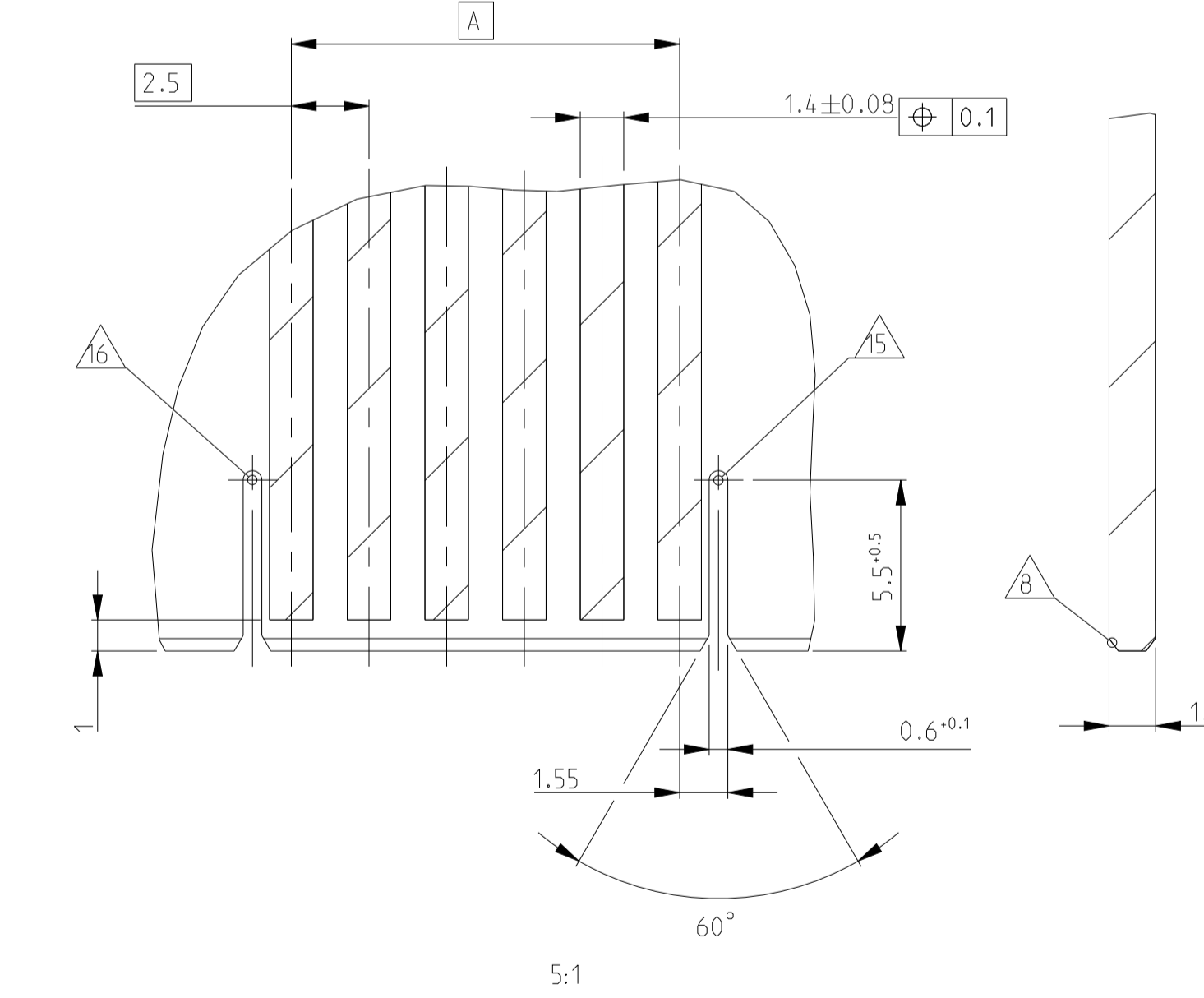
LOC		DIST		REVISIONS			
A1				REV	DATE	BY	APPV
D55	ECR-21-115157				28SEP2021	W W	FL
D56	ECR-21-116062				07OCT2021	P J	FL
D57	ECR-21-121759				23NOV2021	T L	FL



PCB LAYOUT KEYED / CONNECTED ONLY WITH ADDITIONAL FRAME (THICK KEYING)  
Leiterplattenanschluss kodiert / nur in Verbindung mit zusätzlichem Rahmen



PCB LAYOUT KEYED / CONNECTED ONLY WITH ADDITIONAL FRAME (SLIM KEYING)  
Leiterplattenanschluss kodiert / nur in Verbindung mit zusätzlichem Rahmen

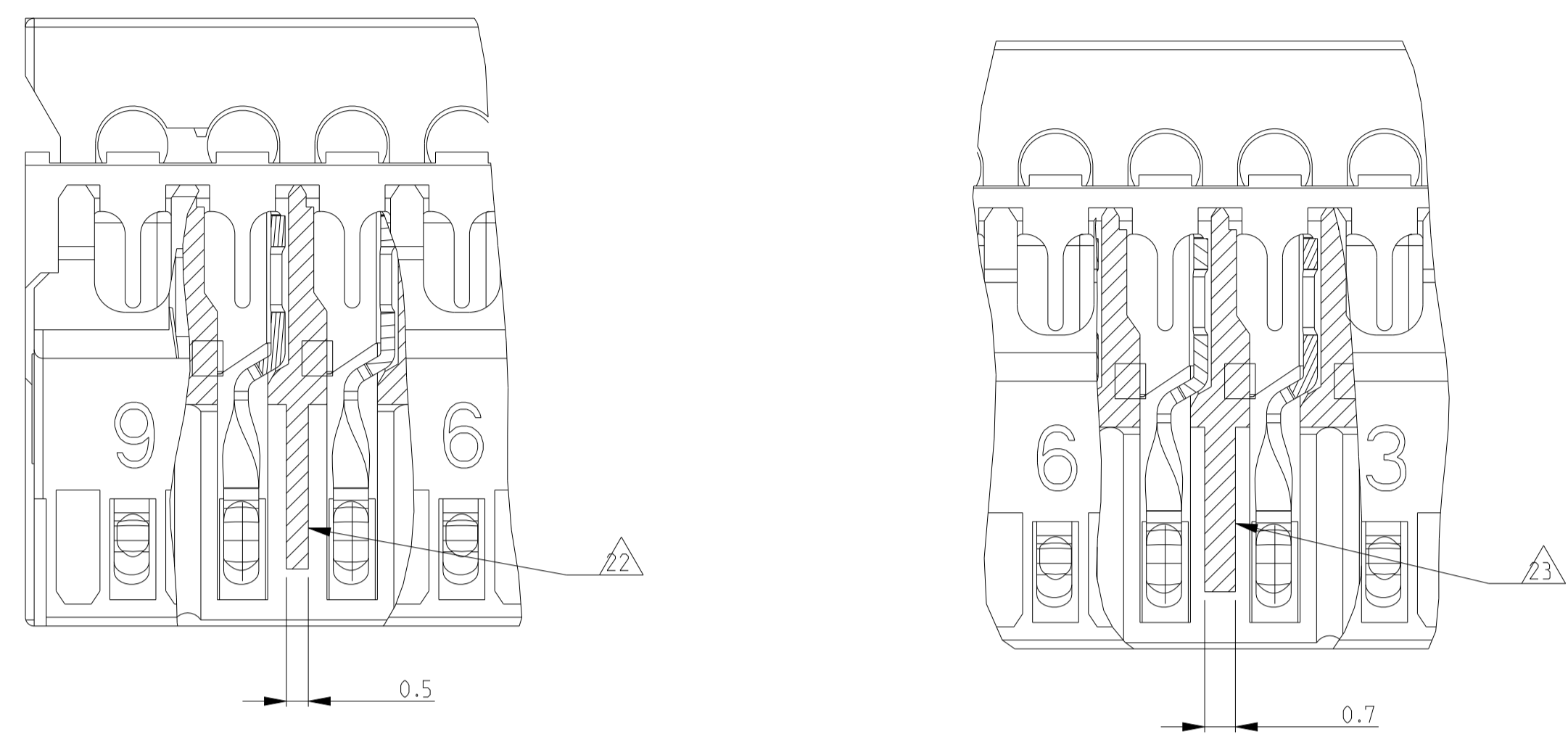


OTHER NOTE SEE SHEET 3 OF 3.

THIS DRAWING IS A CONTROLLED DOCUMENT.		OWN: H. Karabiyik 24MAY2002	 TE Connectivity
DIMENSIONS: mm		CHK: B. Schnaubelt 24MAY2002	
TOLERANCES UNLESS OTHERWISE SPECIFIED:		APPV: T. Klenner 24MAY2002	
0 PLC ±0.2 1 PLC ±0.2 2 PLC ±0.2 3 PLC ±0.2 4 PLC ± ANGLES ±°		NAME: AMP DUOPLUG 2.5 MARK II FEMALE CONNECTOR 3-20 POSITION SELECTIVE LOADED	
MATERIAL: -		PRODUCT SPEC: 108-18785	RESTRICTED TO: -
		APPLICATION SPEC: 114-18467	SIZE: A1
		WEIGHT: -	CAGE CODE: 00779
		Customer Drawing	DRAWING NO: C=1534798
			SHEET 1 OF 3
			SCALE: 10:1
			REV: U57



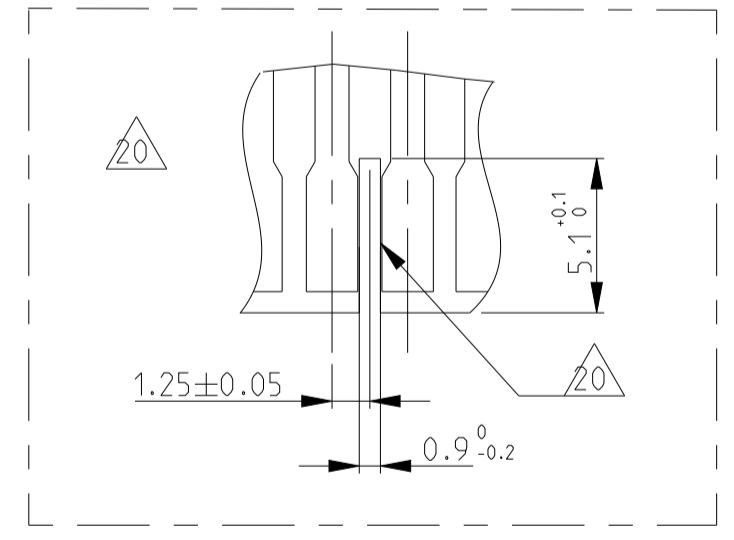
LOC	DIST	REVISONS	DATE	DWN	APVD
		156f_desc_1			
		2rev_desc_2			
		3rev_desc_3			
		4rev_desc_4			



KEYING Z2

KEYING Z3

- Z3 KEYING. SPECIAL THICK. BETWEEN POSITION
- Z2 KEYING. SPECIAL THIN. BETWEEN POSITION
- Z1 SLOT FOR KEYING SPECIAL. BETWEEN POSITION
- Z0 RECOMMENDED PCB CUTOFF DIMENSION FOR THE PN X-2304527-Y AND X-2304528-Y



GWEPT 750°C NO FLAME & UL94-VO, SILVER PLATED VERSION																						
Blue																						
Color Code	20	19	18	17	16	15	14	13	12	11	10	9	8	7	6	5	4	3	2	1		
KAMMERBESTUECKUNG (CAVITIES LOADED) Z3															POS. Polzahl	DIM A	DIM B	Z12 KEYING	Z17 KEYING	Z23 KEYING	Z22 KEYING	PN Z26 Bestell-Nr.

2	SEE TABLE	CONTACT/Kontakt	CuSn	SILVERED
1	siehe Tabelle	HOUSING/Federleistengeh.	HIGH TEMP PLASTIC Z4	NATUR/Natur
POS.	PN Bestell-Nr.	DESCRIPTION Beschreibung	MATERIAL	COLOUR/FINISH Farbe/Oberflaeche

GWEPT 750°C NO FLAME & UL94-VO, TIN PLATED VERSION																						
Blue																						
Color Code	20	19	18	17	16	15	14	13	12	11	10	9	8	7	6	5	4	3	2	1		
KAMMERBESTUECKUNG (CAVITIES LOADED) Z3															POS. Polzahl	DIM A	DIM B	Z12 KEYING	Z17 KEYING	Z23 KEYING	Z22 KEYING	PN Z26 Bestell-Nr.

2	SEE TABLE	CONTACT/Kontakt	CuSn	TINNED/verzinkt
1	siehe Tabelle	HOUSING/Federleistengeh.	HIGH TEMP PLASTIC Z4	NATUR/Natur
POS.	PN Bestell-Nr.	DESCRIPTION Beschreibung	MATERIAL	COLOUR/FINISH Farbe/Oberflaeche

THIS DRAWING IS A CONTROLLED DOCUMENT.

DIMENSIONS: mm

TOLERANCES UNLESS OTHERWISE SPECIFIED:

0 PLC ±0.2  
 1 PLC ±0.2  
 2 PLC ±0.2  
 3 PLC ±0.2  
 4 PLC ±0.2  
 ANGLES ±1°

MATERIAL: -

FINISH: -

Customer Drawing

DWN: H. Karabiyik 24MAY2002  
 CHK: B. Schnaubelt 24MAY2002  
 APVD: T. Klenner 24MAY2002

NAME: AMP DUOPLUG 2.5 MARK 11 FEMALE CONNECTOR 3-20 POSITION SELECTIVE LOADED

SIZE: 116-18467  
 CAGE CODE: 00779  
 DRAWING NO: C=1534798

RESTRICTED TO: -

SCALE: 10:1 SHEET 3 OF 3 REV: U57

**STE** TE Connectivity

单击下面可查看定价，库存，交付和生命周期等信息

[>>TE Connectivity\(泰科\)](#)