

REVISIONS					
P	LTR	DESCRIPTION	DATE	DWN	APVD
G		REVISED PER ECR-19-019812	02JAN2020	SR	BJ

SPECIFICATIONS:

MATERIAL

BASE, PPS, UL94V-0, BLACK
 COVER, PPS, UL94V-0, BLACK
 ACTUATOR, PA6T, UL94V-0, WHITE
 FIXED CONTACT/TERMINAL, CU ALLOY-GOLD FLASH OVER NICKEL
 MOVING CONTACT, CU ALLOY, PLATE-GOLD FLASH/NICKEL
 TAPE SEAL-POLYIMIDE FILM, AMBER, SEE P/N TABLE FOR OPTIONS

ELECTRICAL

MAX CONTACT RATING SWITCHING, 100mA @ 5 VDC (AMPERE MAX)
 25mA @ 24 VDC (VOLTAGE MAX)

MIN CONTACT RATING SWITCHING, 0.1mA (1mV)
 MAX CONTACT NON-SWITCHING, 1AMP @ 5 VDC
 INITIAL CONTACT RESISTANCE, 50 MILLIOHMS MAX.
 CONTACT RESISTANCE (AFTER ENVIRONMENTAL TEST), 100 MILLIOHMS
 CONTACT RESISTANCE (AFTER GAS TEST), 300 MILLIOHMS
 INSULATION RESISTANCE, 1,000 MEGOHMS MIN. @ 100 VDC
 DIELECTRIC STRENGTH, 300 VAC FOR 1 MINUTE.
 LIFE EXPECTANCY, 1,000 CYCLES

MECHANICAL

OPERATING FORCE, LESS THAN 800 GRAMS
 CONTACT PRESSURE, 280,000 PSI

ENVIRONMENTAL

OPERATING TEMPERATURE, -30 TO +85 DEGREES C
 STORAGE TEMPERATURE, -30 TO +85 DEGREES C
 CLEANING, AQUEOUS OR SOLVENT
 SOLDER HEAT RESISTANCE, PER 109-201, COND B, SWITCH "OFF".
 SOLDERABILITY PER IPC/ECA J-STD-002D, TEST S1 LEAD-FREE SOLDER - SURFACE MOUNT PROCESS SIMULATION TEST.

1 SWITCHES TO BE RECEIVED IN THE "OFF" POSITION AND PACKAGED IN CLEAR TUBES TO ACCOMMODATE AUTO-INSERTION OR PACKAGED ON TAPE AND REEL

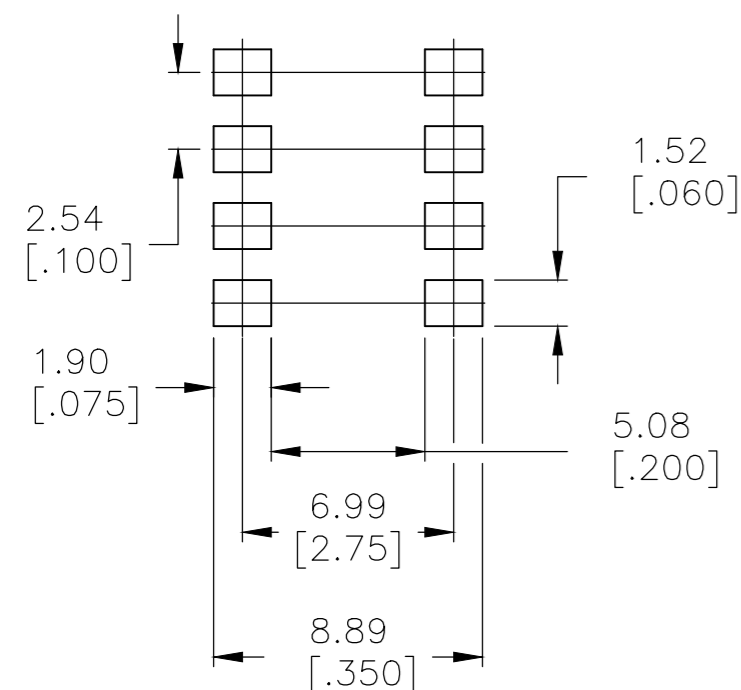
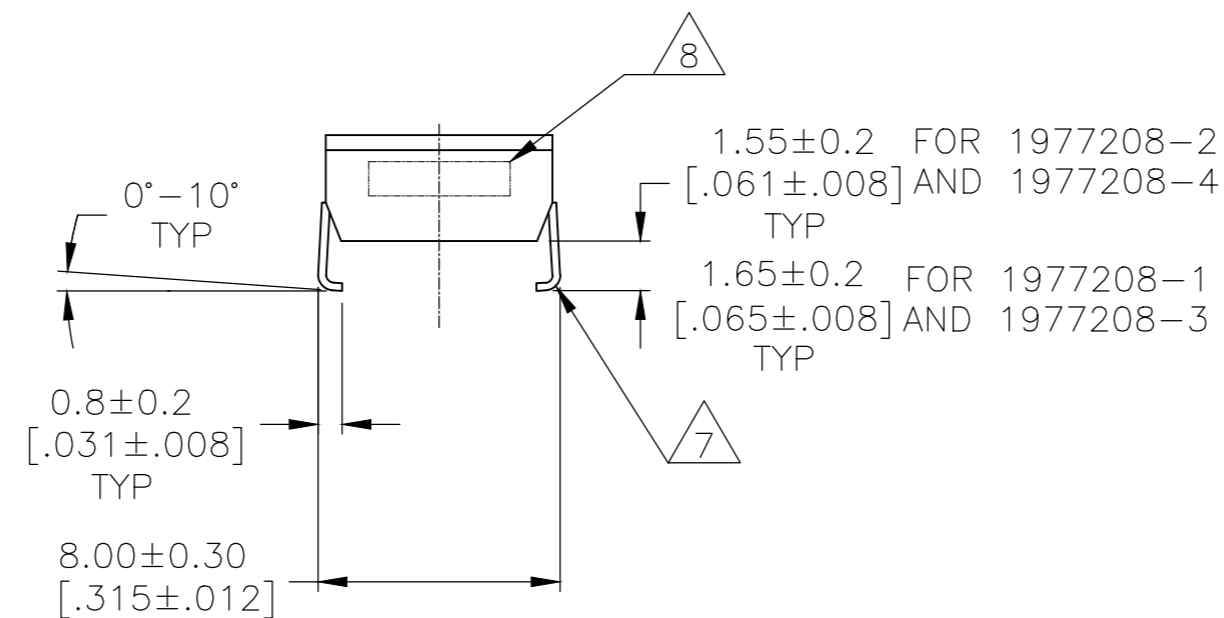
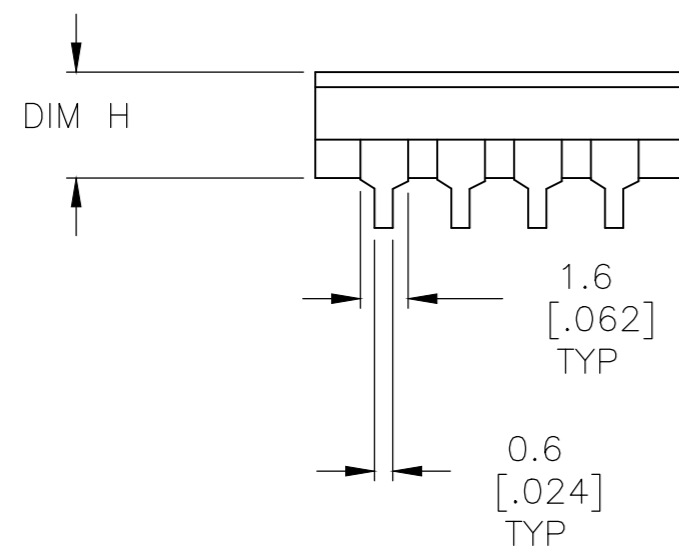
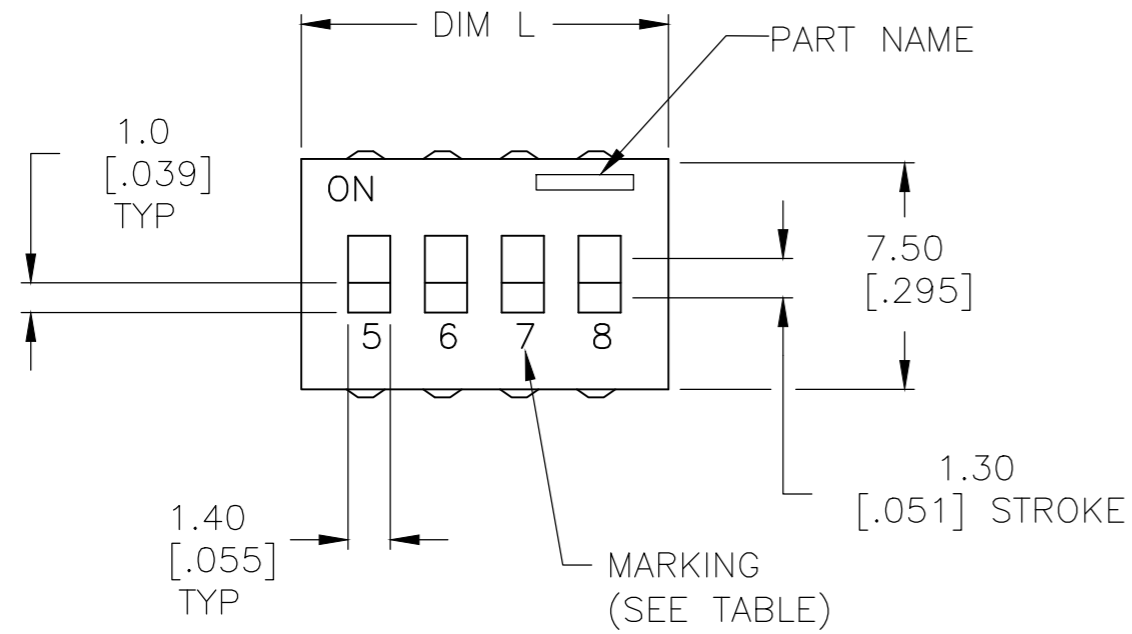
2 TOP SURFACE TO BE CLEARLY MARKED AS SHOWN

3 SWITCHES TO BE BLACK WITH WHITE ACTUATORS AND MARKINGS.

4 ALL MATERIALS AND FINISHES SHALL COMPLY WITH EU DIRECTIVE 2002/95/EC OF 27JAN2003 (ROHS)

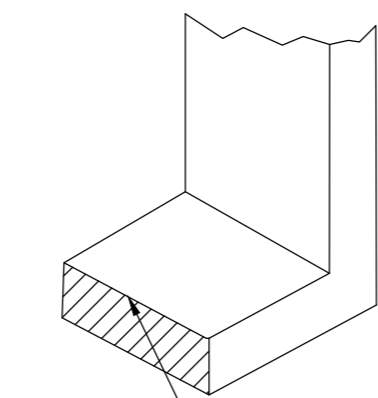
5 TAPE AND REEL PACKAGING PER EIA 481.

6 PACKAGING REEL DIMENSIONS (PLEASE REFERENCE SHEET 2)
 FOR 1977208-1,-3, DIM: 24.5
 FOR 1977208-2,-4, DIM: 44.4



RECOMMENDED PAD LAYOUT

CONTACT PLATING DETAIL



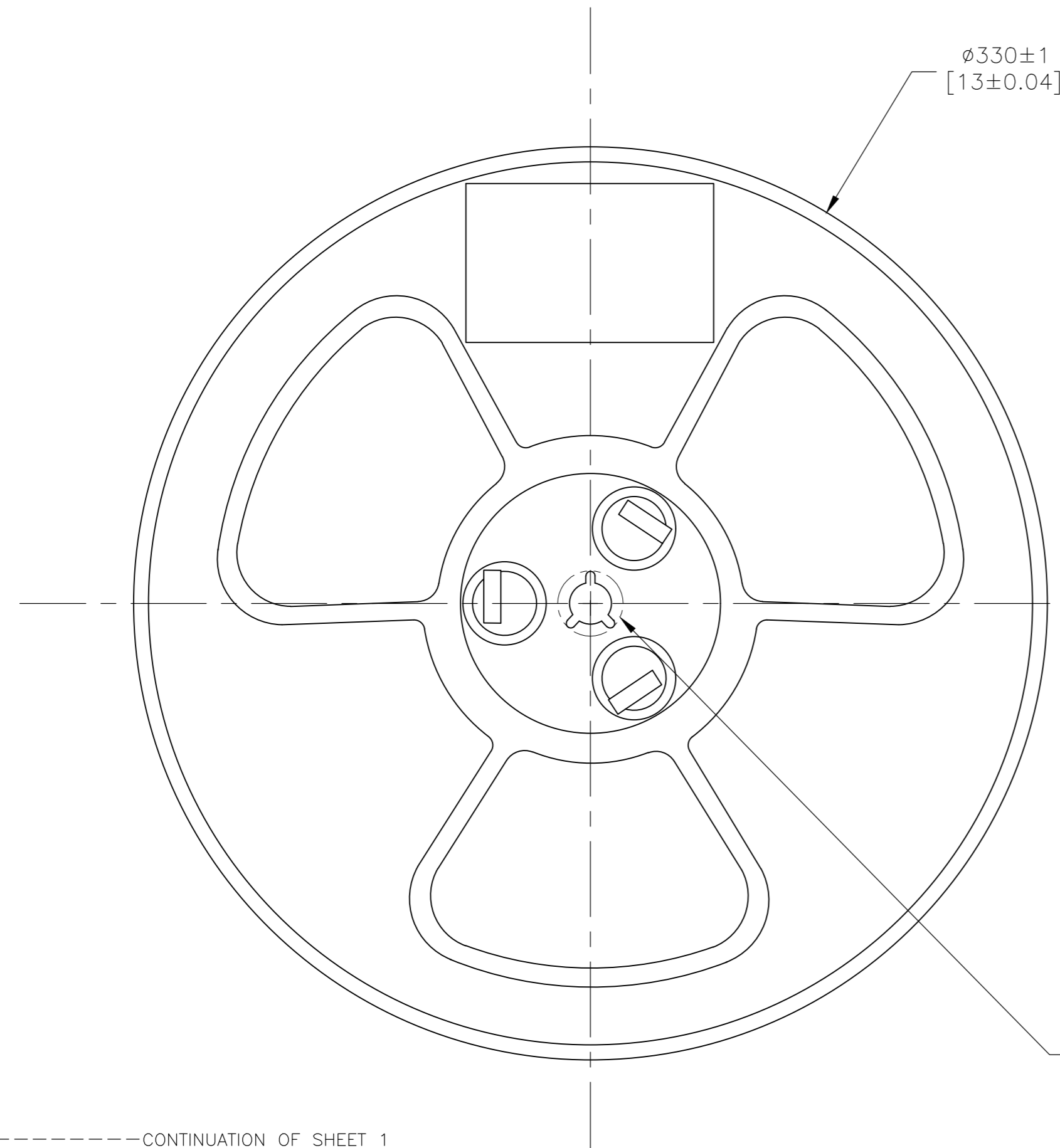
SHEAR EDGE NOT PLATED. ALL REMAINING SURFACES ARE SUPPLIED WITH GOLD-FLASH OVER NICKEL PLATING

1,2,3,4,5,6,7,8,1,2,3,4	T&R	NO	3.50 (.138)	32.50 (1.280)	12	ADF12SATRO4900	1977208-4
5,6,7,8	T&R	NO		12.1 (.478)	4	ADF04SATRO4900	1977208-3
1,2,3,4,5,6,7,8,1,2,3,4	T&R	YES	3.50 (.138)	32.50 (1.280)	12	ADF12SATTRO4900	1977208-2
5,6,7,8	T&R	YES		12.1 (.478)	4	ADF04SATTRO4900	1977208-1
MARKING	PKG.	TAPE SEAL	DIM H	DIM L	POLE	OLD T&B P/N	P/N

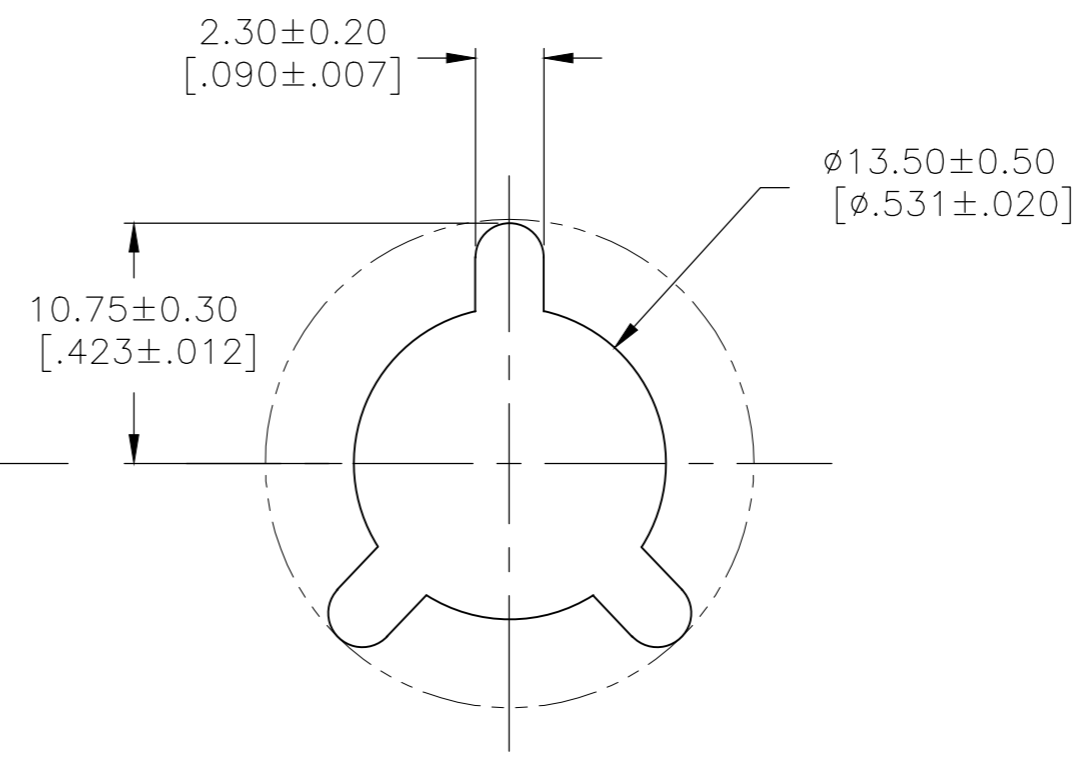
THIS DRAWING IS A CONTROLLED DOCUMENT.		DWN M.BINNER 30AUG07	STE TE Connectivity	
DIMENSIONS: mm [INCHES]		CHK M.SARVER		
TOLERANCES UNLESS OTHERWISE SPECIFIED:		APVD M.SARVER	NAME -	
0 PLC ± -	1 PLC ± -	PRODUCT SPEC -	DIP SWITCH, ADF-SMT SERIES, SPECIAL	
2 PLC ± 0.30[.012]	3 PLC ± -	APPLICATION SPEC -	SIZE A2	CAGE CODE -
4 PLC ± -	ANGLES ± -	WEIGHT -	DRAWING NO C=1977208	RESTRICTED TO -
MATERIAL -	FINISH -	CUSTOMER DRAWING	SCALE 4:1	SHEET 1 OF 3
			REV G	

THIS DRAWING IS UNPUBLISHED. RELEASED FOR PUBLICATION . 1825059 1825059
 © COPYRIGHT 1825059y - ALL RIGHTS RESERVED.

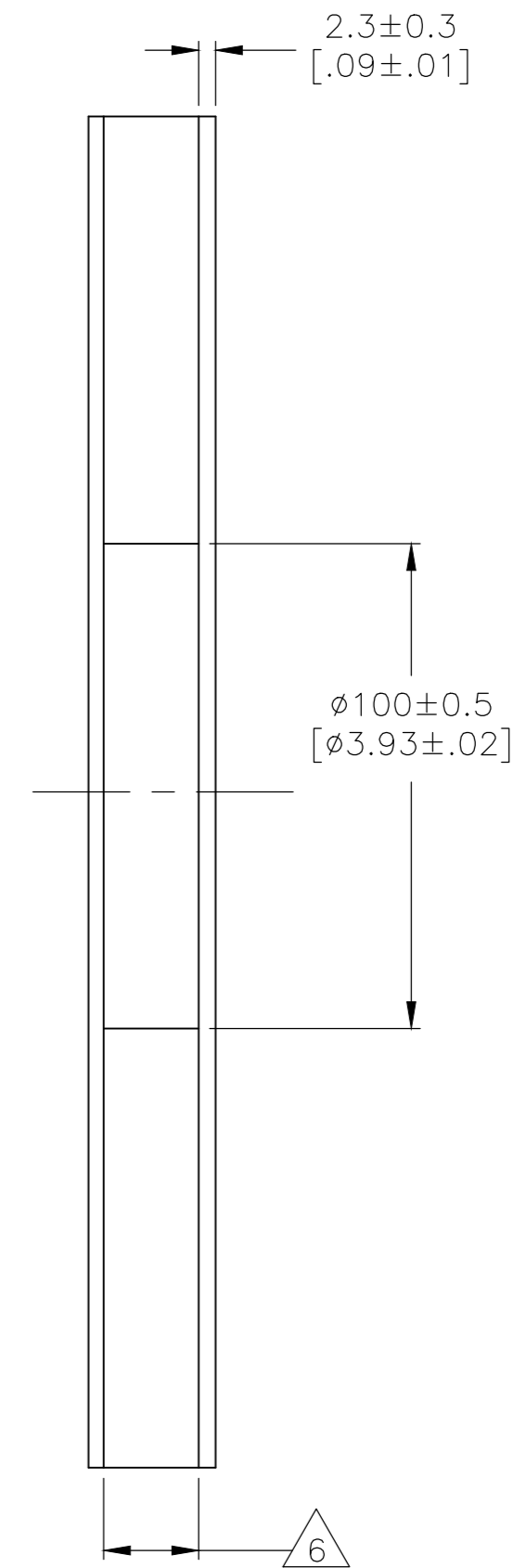
REVISIONS				
P	LTR	DESCRIPTION	DATE	APVD
-	-	SEE SHEET 1	-	-



$\phi 330 \pm 1$
[13±0.04]



DETAIL A (5:1)



6

-----CONTINUATION OF SHEET 1

7 SEE PLATING DETAIL FOR DEFINITION OF CONTACT PLATING SURFACES

8 LOT CODE MARKING

15 5 8 A1
 SPACE INTERNAL CONTROL No. (2-digit)
 YEAR OF PRODUCTION WITH 1-DIGIT FIGURE(4TH DIGIT OF CALENDAR YEAR)
 (EXAMPLE: Y2018: 8; Y2019: 9)
 MONTH OF PRODUCTION WITH 1-DIGIT FIGURE OR ALPHABET
 (EXAMPLE: 1~9, X(10), Y(11), Z(12))
 DATE OF PRODUCTION WITH 2-DIGIT FIGURES(01-31)


9. STICK A BAR CODE LABEL OF 40mm x 83mm TO EACH REEL.


THIS DRAWING IS A CONTROLLED DOCUMENT.		DWN	M.BINNER	30AUG07		TE Connectivity				
DIMENSIONS: mm [INCHES]		CHK	M.SARVER	-		NAME				
TOLERANCES UNLESS OTHERWISE SPECIFIED:		APVD	M.SARVER	-		DIP SWITCH, ADF-SMT SERIES, SPECIAL				
0 PLC ± - 1 PLC ± - 2 PLC ± 0.30[.012] 3 PLC ± - 4 PLC ± - ANGLES ± -		PRODUCT SPEC	-	-		SIZE	CAGE CODE	DRAWING NO	RESTRICTED TO	
MATERIAL	FINISH	WEIGHT	-	-	A2	-	C=1977208	-		
CUSTOMER DRAWING					SCALE	4:1	SHEET	2 of 3	REV	G


1977208


REVISIONS				
P	LTR	DESCRIPTION	DATE	APVD
-	-	SEE SHEET 1	-	-

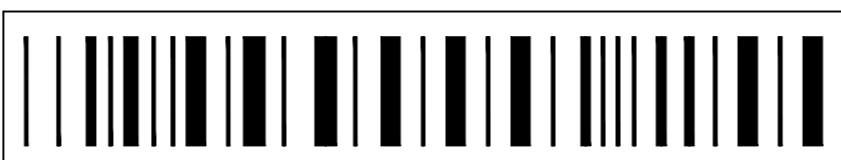
BAR CODE LABEL DETAILS

TE Part Number: 
1977208-3

Part Description: 
ADF04SATR04900=4POS DIP

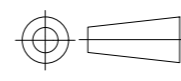
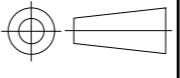
TE Connectivity: 

Qty: 
130

Date Code: 
1948

40 mm

83 mm

THIS DRAWING IS A CONTROLLED DOCUMENT.		DWN M.BINNER	30AUG07	 TE Connectivity	
DIMENSIONS: mm [INCHES]		CHK M.SARVER	APVD M.SARVER		
 0 PLC ± - 1 PLC ± - 2 PLC ± 0.30[.012] 3 PLC ± - 4 PLC ± - ANGLES ± -		PRODUCT SPEC		NAME -	
		APPLICATION SPEC		DIP SWITCH, ADF-SMT SERIES, SPECIAL	
MATERIAL	FINISH	WEIGHT	-	SIZE A2	CAGE CODE -
CUSTOMER DRAWING		DRAWING NO C=1977208		RESTRICTED TO -	SCALE NTS
		SHEET 3 of 3		REV G	

单击下面可查看定价，库存，交付和生命周期等信息

[>>TE Connectivity\(泰科\)](#)