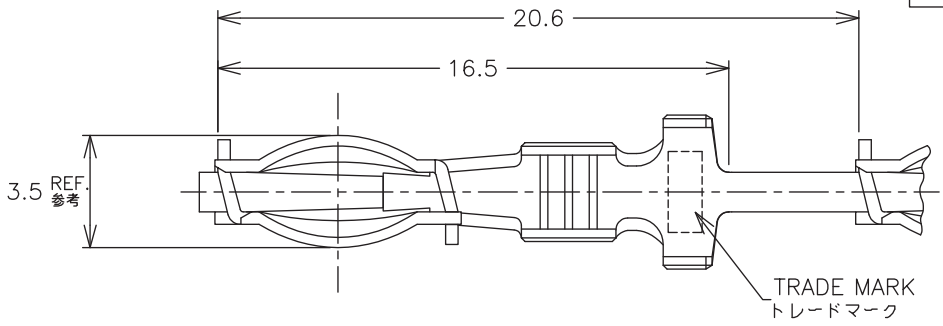
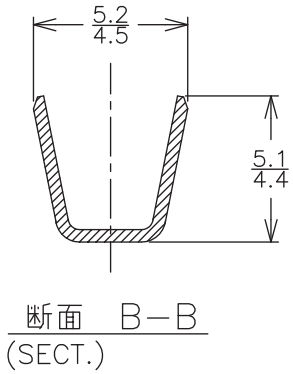
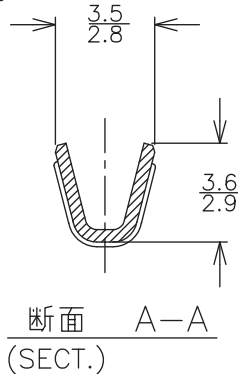
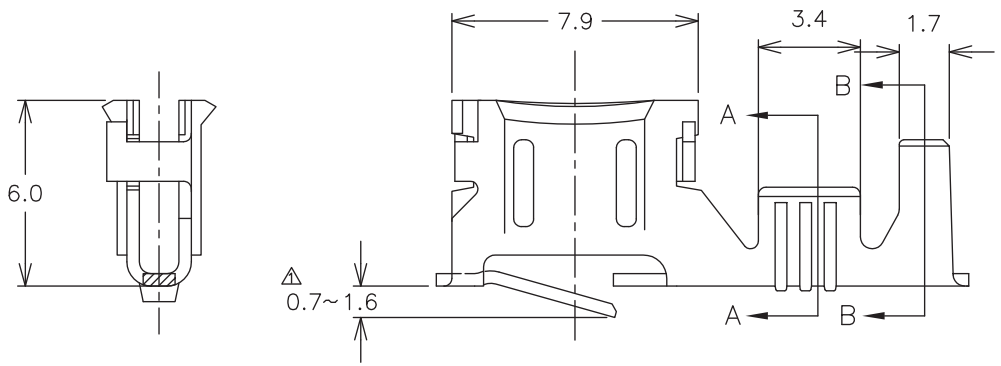


THIS DRAWING IS UNPUBLISHED. RELEASED FOR PUBLICATION  
 © COPYRIGHT - By - ALL RIGHTS RESERVED.

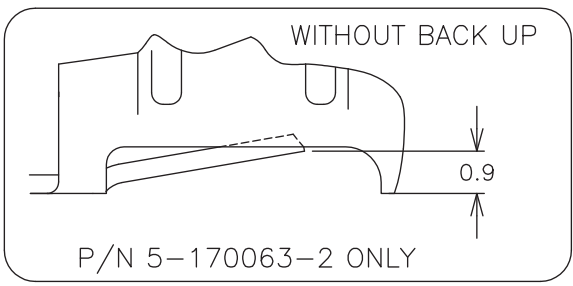
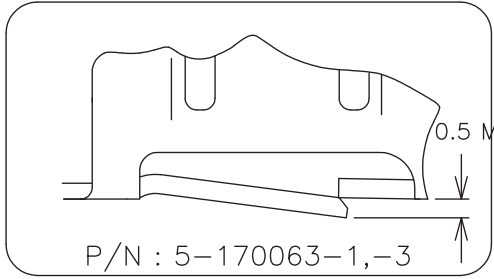
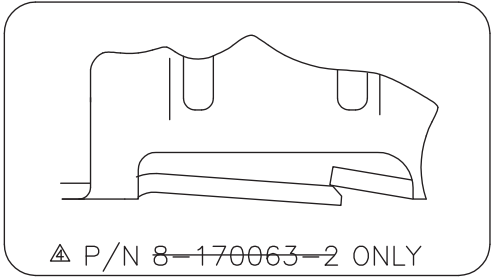
LOC	DIST	REVISIONS				
J	-	変更		DATE	DWN	APVD
		P	LTR	DESCRIPTION		
			M3	REVISED PER ECR-21-117681	22OCT2021	PC SE



- △ 圧着後のランス高さ。
- 2. 製品規格 108-5143,-5205,-5541  
但し、0.5mmSQの圧着部引張強度の規格値は78.4N(8Kg)以上とする。
- 3. 適用ハウジング：170851-1,171370-1,-3,-5,1-171370-1



- △ LANCE HIGHT AFTER CRIMPING.
- 2. PRODUCT SPECIFICATION 108-5143,-5205,-5541  
78.4N(8Kg),(AWG#20 WIER CRIMP TENSILE STRENGHT)
- 3. APPLICABLE HOUSING:  
170851-1,171370-1,-3,-5,1-171370-1



錫めっき (TIN PLATED)	錫黄銅 0.41t (TIN BRASS)	170063-9
錫めっき (TIN PLATED)	燐青銅 0.41t (PHOSPHCR BRONZE)	5-170063-2
(PRE-TIN PLATED)	燐青銅 0.41t (PHOSPHCR BRONZE)	5-170063-1
錫めっき (TIN PLATED)	燐青銅 0.41t (PHOSPHCR BRONZE)	5-170063-3
錫めっき (TIN PLATED)	燐青銅 0.41t (PHOSPHCR BRONZE)	170063-2
仕上げ (FINISH)	材料 (MATERIAL)	型番 (P/N)

THIS DRAWING IS A CONTROLLED DOCUMENT.		DWN	11.SEP.'01
		M.SUZUKI	
		CHK	11.SEP.'01
		M.SHINDO	
		APVD	11.SEP.'01
		M.SHINDO	
DIMENSIONS: 単位: 耗 mm		TOLERANCES UNLESS OTHERWISE SPECIFIED: 一般公差	
		Ø PLZ	±0.3
		1 P/C	±-
		2 M/C	±-
		3/PLC	±-
		4 PLC	±-
MATERIAL 材料		FINISH 仕上	
表参照 SEE TABLE		表参照 SEE TABLE	

TE Connectivity			
NAME 名称		2.3 DIA CLUSTER PIN RECEPTACLE Φ2.3 クラスタ ピン リセプタクル	
SIZE	CAGE CODE	DRAWING NO 番号	RESTRICTED TO
A3	00779	C=170063	-
CUSTOMER DRAWING			SCALE 尺度 6:1
SHEET 1 of 1		REV M3	

单击下面可查看定价，库存，交付和生命周期等信息

[>>TE Connectivity\(泰科\)](#)