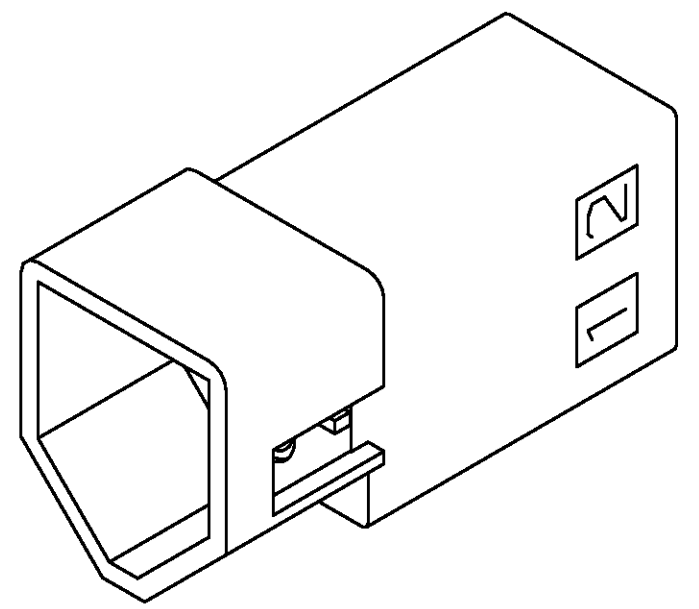
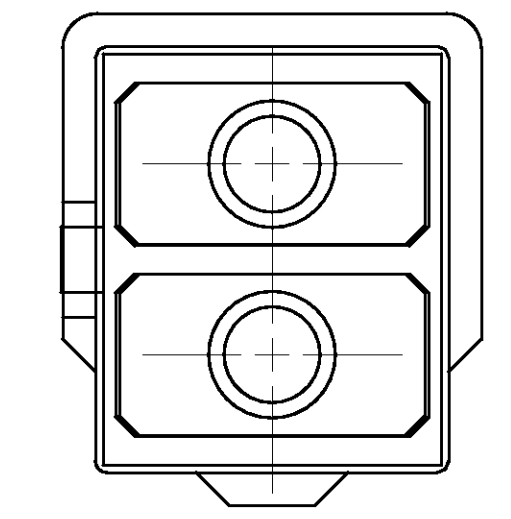
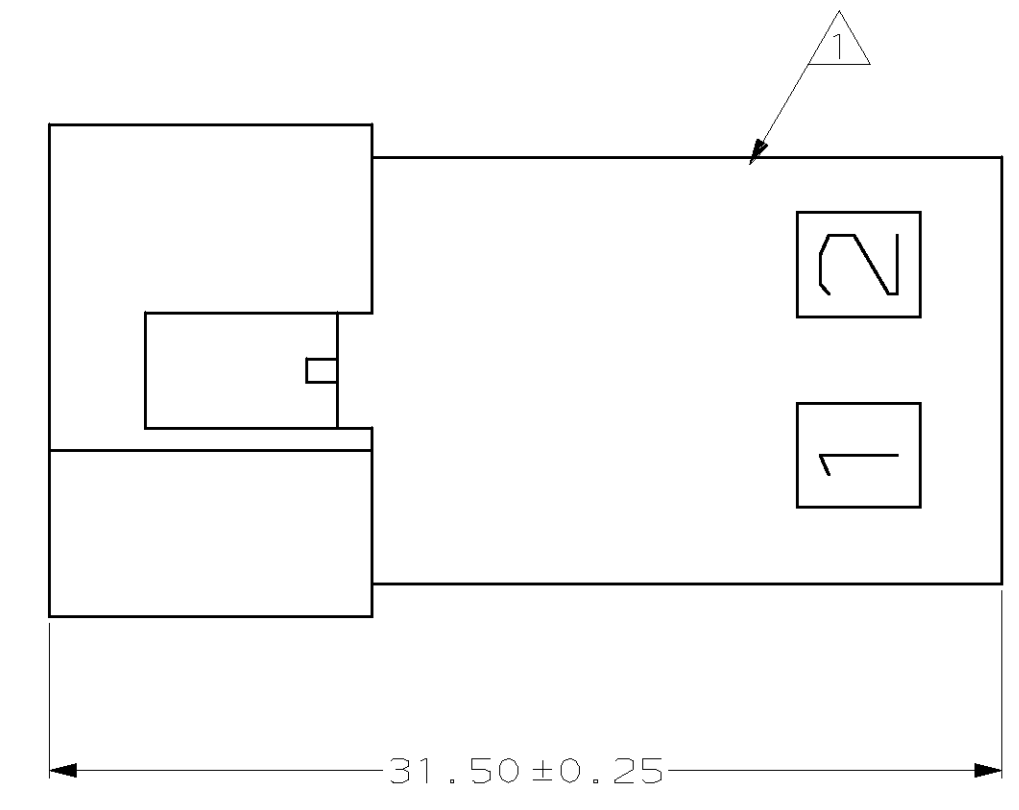
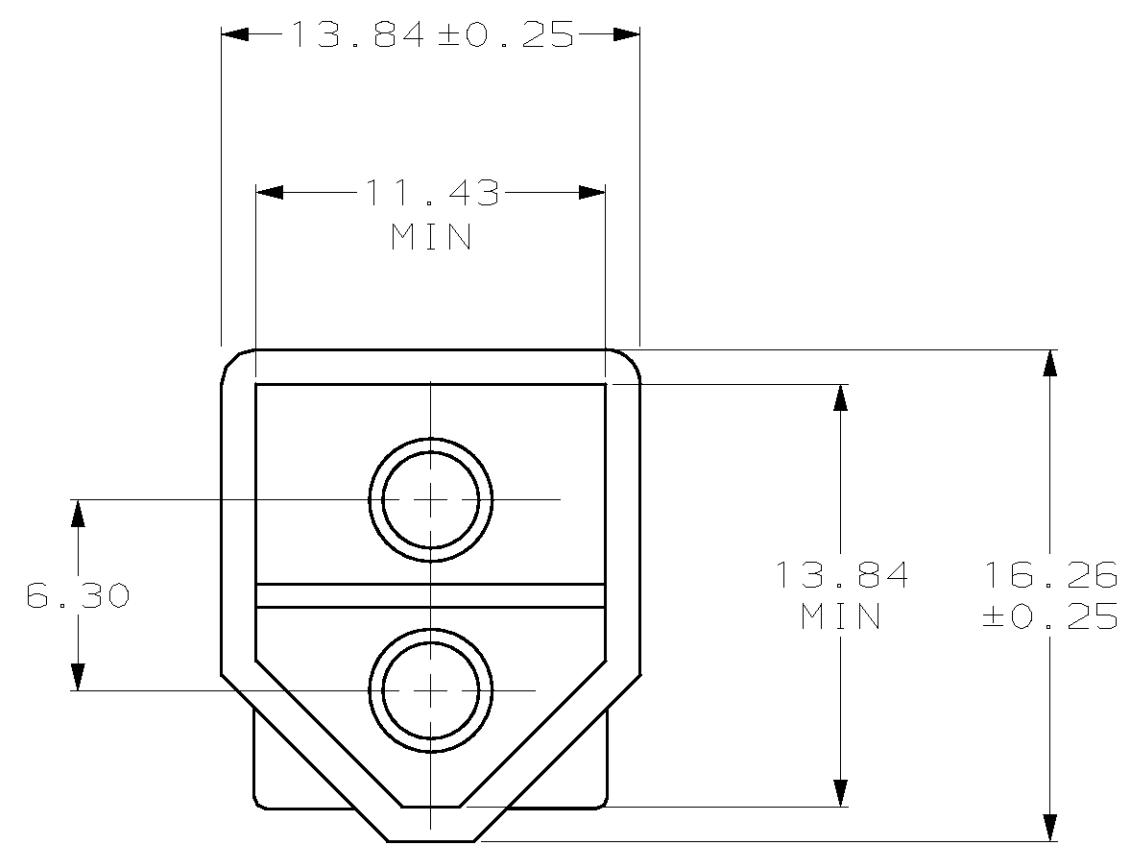


LOC	QTY	REV	DATE	BY	APPV
CM	53	E	2-25-98	KW	RS

- 1. AMP LOGO LOCATED THIS SURFACE.
- 2. PARTS ARE DUAL WIRE COMPATIBLE.



3-DIMENSIONAL MODEL  
NTS

31.50	1.240
16.26	.640
13.84	.545
11.43	.450
6.30	.248
2.36	.093
0.25	.010
0.13	.005
MM	IN

CONVERSION TABLE

**METRIC**

770365-1  
PART NUMBER

THIS DRAWING IS A CONTROLLED DOCUMENT.		DWN K. WHITAKER	2-25-98	<b>AMP</b> AMP Incorporated Harrisburg, PA 17105-3608
DIMENSIONS:		CHK R. SWING	2-25-98	
TOLERANCES UNLESS OTHERWISE SPECIFIED.		APVD K. COBLE	2-25-98	NAME PLUG, 2 CIRCUIT, .093 PIN AND SOCKET
mm	0.13	PRODUCT SPEC		SIZE A1
0.13	0.005	APPLICATION SPEC		SCALE 4:1
MATERIAL NYLON, JL 94V-2, NATURAL	FINISH -	HEIGHT -		DRAWING NO 770365
CUSTOMER DRAWING			SCALE 4:1	SHEET 1 OF 1

单击下面可查看定价，库存，交付和生命周期等信息

[>>TE Connectivity\(泰科\)](#)