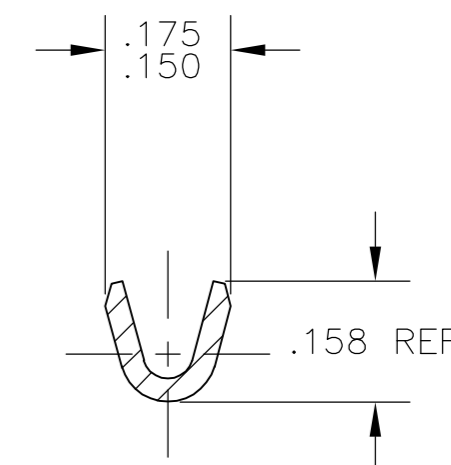
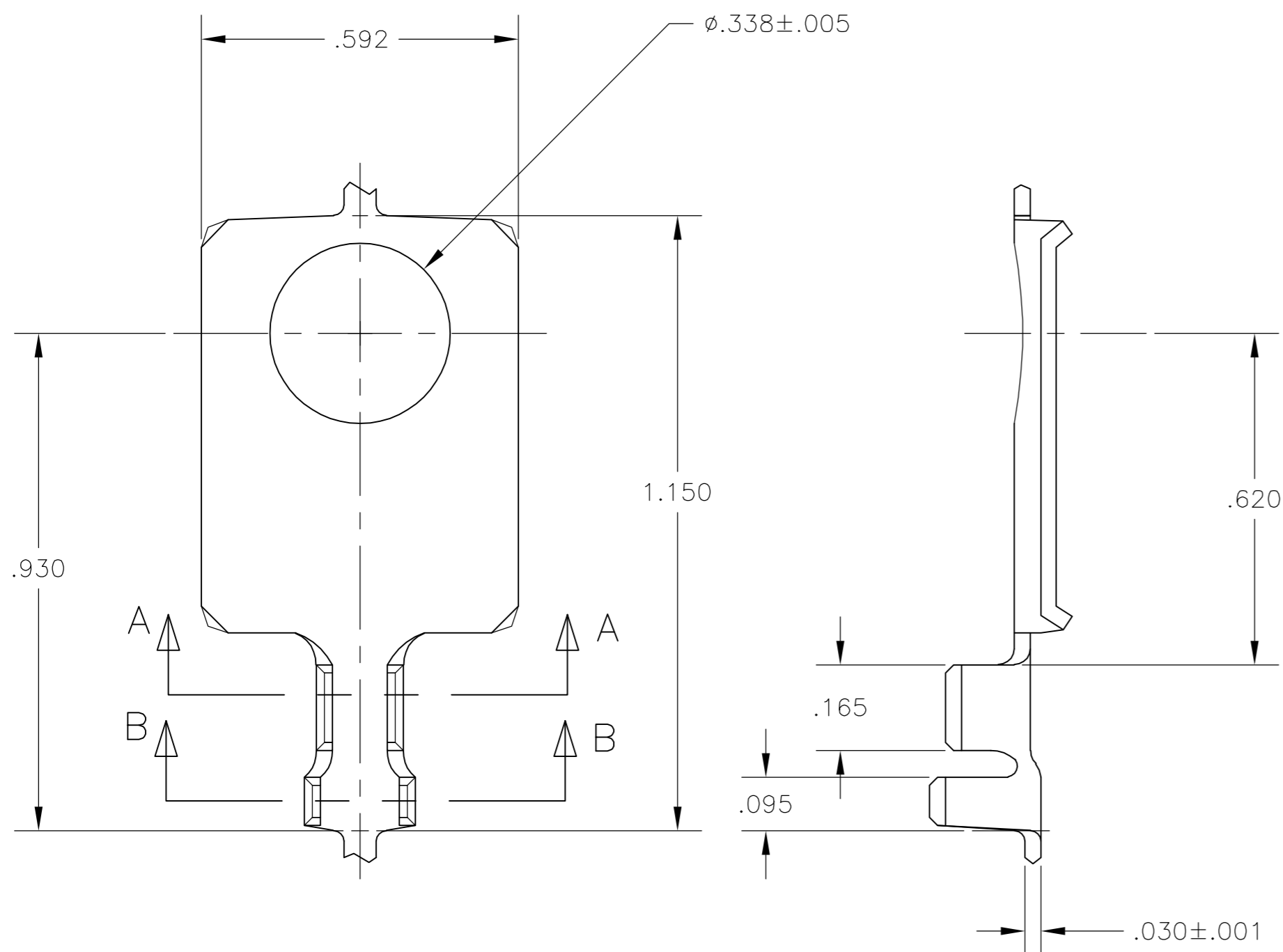
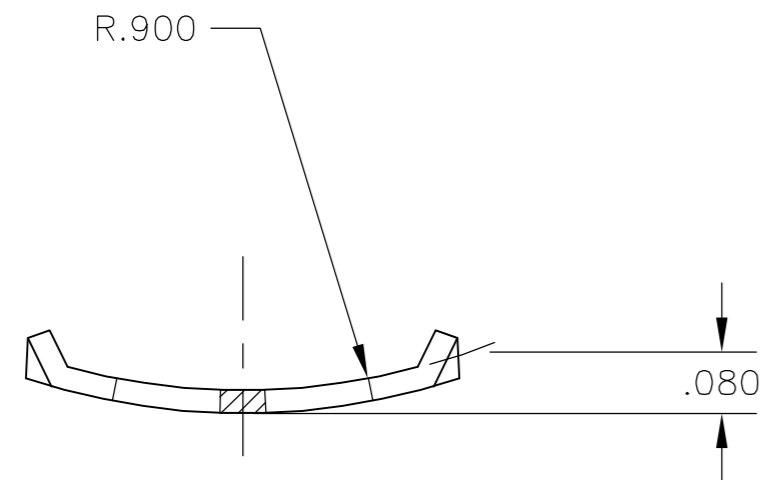


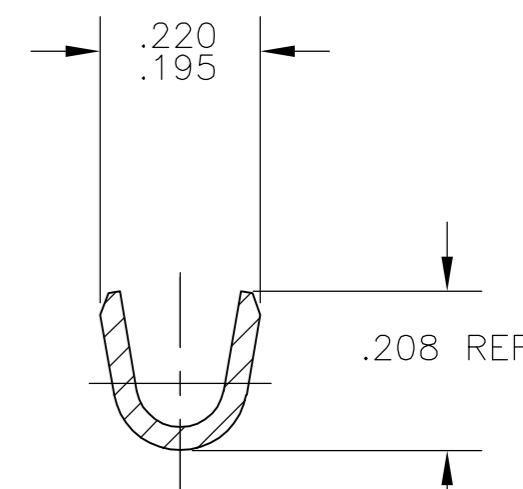
THIS DRAWING IS UNPUBLISHED. RELEASED FOR PUBLICATION
 © COPYRIGHT BY TYCO ELECTRONICS CORPORATION. ALL RIGHTS RESERVED.

LOC		DIST		REVISIONS			
P	LTR	DESCRIPTION		DATE	DWN	APVD	
AF	50	E		REVISED PER OG3A-0959-04	10DEC04	MF	DD

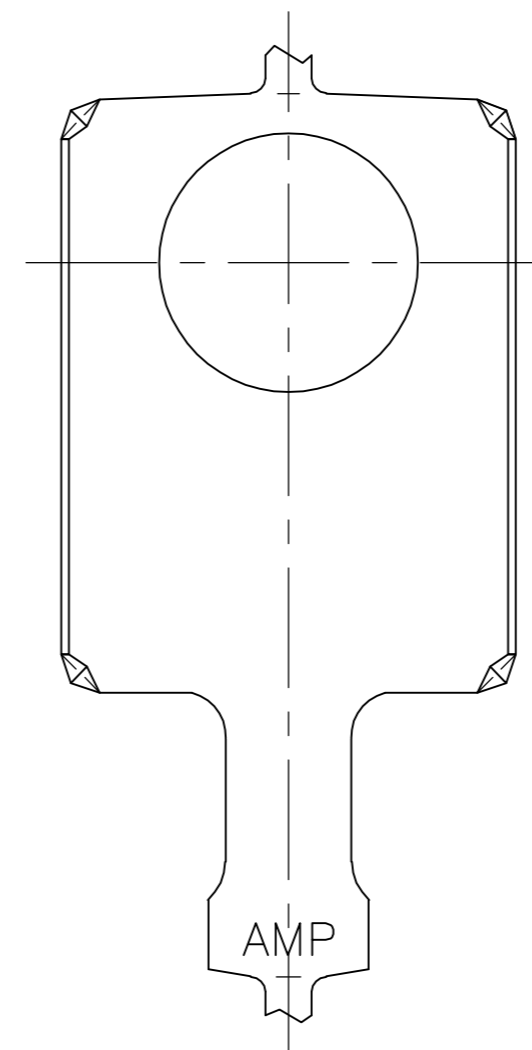
- 1 CONTINUOUS STRIP ON REELS.
- 2 WIRE RANGE: #18-#14 AWG.
- 3 INSULATION RANGE: .090-.140 DIA.



SECTION A-A



SECTION B-B



61359-1
PART NUMBER

THIS DRAWING IS A CONTROLLED DOCUMENT.		DWN MICHAEL S. FEHER 01DEC2004	Tyco Electronics Corporation Harrisburg, Pa 17105-3608																			
DIMENSIONS: INCHES		CHK DONALD F. DECKER 10DEC2004																				
TOLERANCES UNLESS OTHERWISE SPECIFIED:		APVD DONALD F. DECKER 10DEC2004	NAME RING, ANTIROTATIONAL, 5/16 STUD SIZE																			
<table border="0"> <tr><td>0 PLC</td><td>±</td><td>-</td></tr> <tr><td>1 PLC</td><td>±</td><td>-</td></tr> <tr><td>2 PLC</td><td>±</td><td>-</td></tr> <tr><td>3 PLC</td><td>±</td><td>.010</td></tr> <tr><td>4 PLC</td><td>±</td><td>-</td></tr> <tr><td>ANGLES</td><td>±</td><td>-</td></tr> </table>		0 PLC	±	-	1 PLC	±	-	2 PLC	±	-	3 PLC	±	.010	4 PLC	±	-	ANGLES	±	-	PRODUCT SPEC -	SIZE A2	CAGE CODE 00779
0 PLC	±	-																				
1 PLC	±	-																				
2 PLC	±	-																				
3 PLC	±	.010																				
4 PLC	±	-																				
ANGLES	±	-																				
MATERIAL TEMP 3 STEEL		FINISH .000080 MIN TIN	WEIGHT -	DRAWING NO C=61359																		
CUSTOMER DRAWING			RESTRICTED TO -	SCALE 4:1																		
			SHEET 1	OF 1																		
			REV E																			

单击下面可查看定价，库存，交付和生命周期等信息

[>>TE Connectivity\(泰科\)](#)