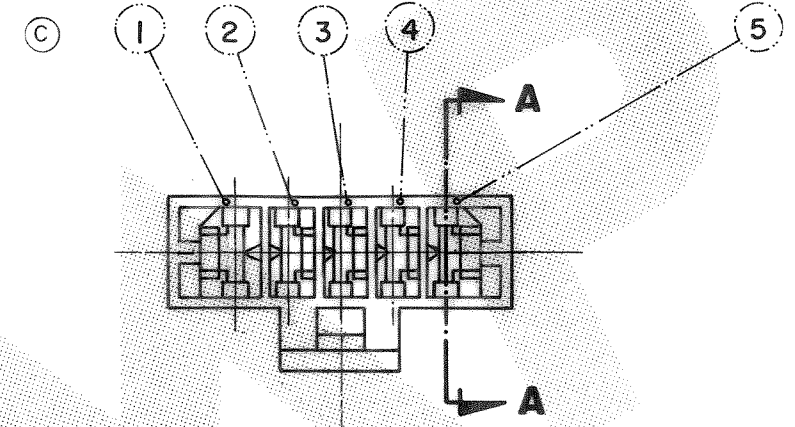
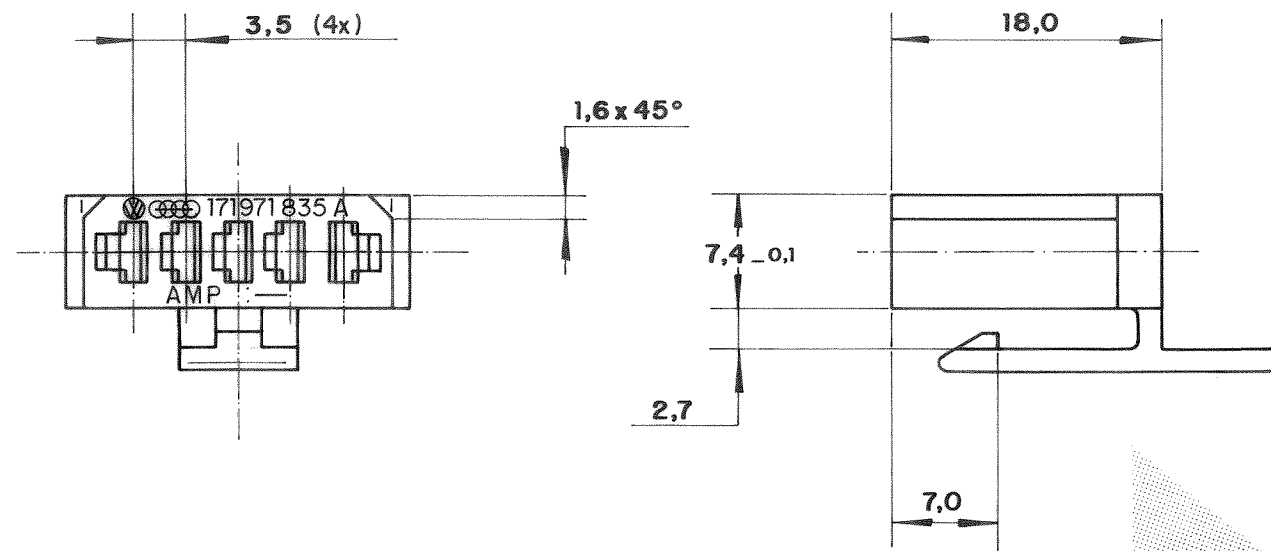


C 880 192

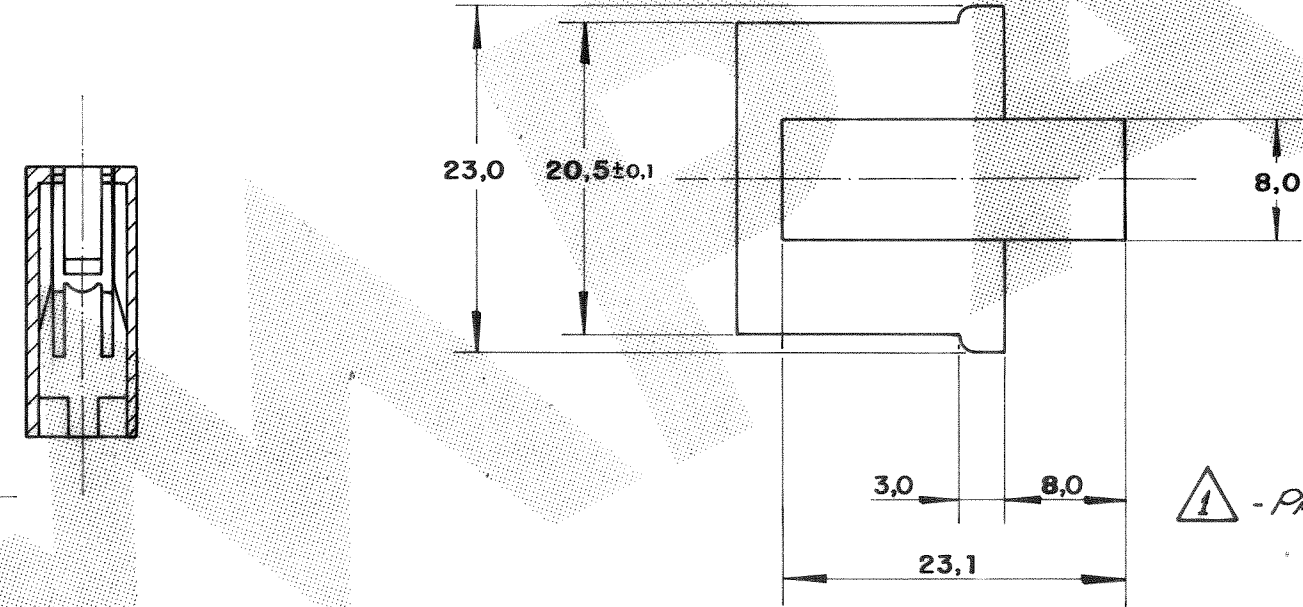
DO NOT SCALE
DIMENSIONS IN

METRIC

3rd ANGLE PROJECTION



Seção A-A



⚠ - PRODUCT WITHOUT VW TRADEMARK (JUST FOR PN-880192-2)

171 971 835 A	NATURAL	NYLON 6-6	880 192 - 1
VW PART NUMBER	FINISH	MATERIAL	PART NUMBER
CUSTOMER DWG for REFERENCE ONLY		THIS DRAWING IS UNPUBLISHED RELEASED FOR PUBLICATION	
		© COPYRIGHT 1983 BY AMP DO BRASIL LTDA S.P. ALL INTERNATIONAL RIGHTS RESERVED AMP PRODUCTS MAY BE COVERED BY U.S. AND FOREIGN PATENTS AND/OR PATENTS PENDING.	
		TOLERANCES UNLESS OTHERWISE STATED	INS. DIA. RANGE
		DEC. ± 0,5	WIRE RANGE
		ANGLES ± 1°	SCALE
		DR. <i>[Signature]</i>	AMP AMP do BRASIL LTDA. São Paulo, Brasil
		CHK. <i>[Signature]</i> JAN, 20/83	
D	REVISADO By ECR05.009783 H.C. W.L.S. 24/06/05	DESCRIPTION	
C	REVISADO ECN-3400 Briz JRH 01-10-92	5 WAY .110 FAST-IN-ON REC. HSG.	
B	REVISADO L.C. 28-12-87	DWG NO	
A	ERA P82-29192 G.M. T.V 20.1.83	A3 C 880 192	
ISS	REVISION RECORD DR CHK DATE APP.	SHEET 1 OF 1	

单击下面可查看定价，库存，交付和生命周期等信息

[>>TE Connectivity\(泰科\)](#)