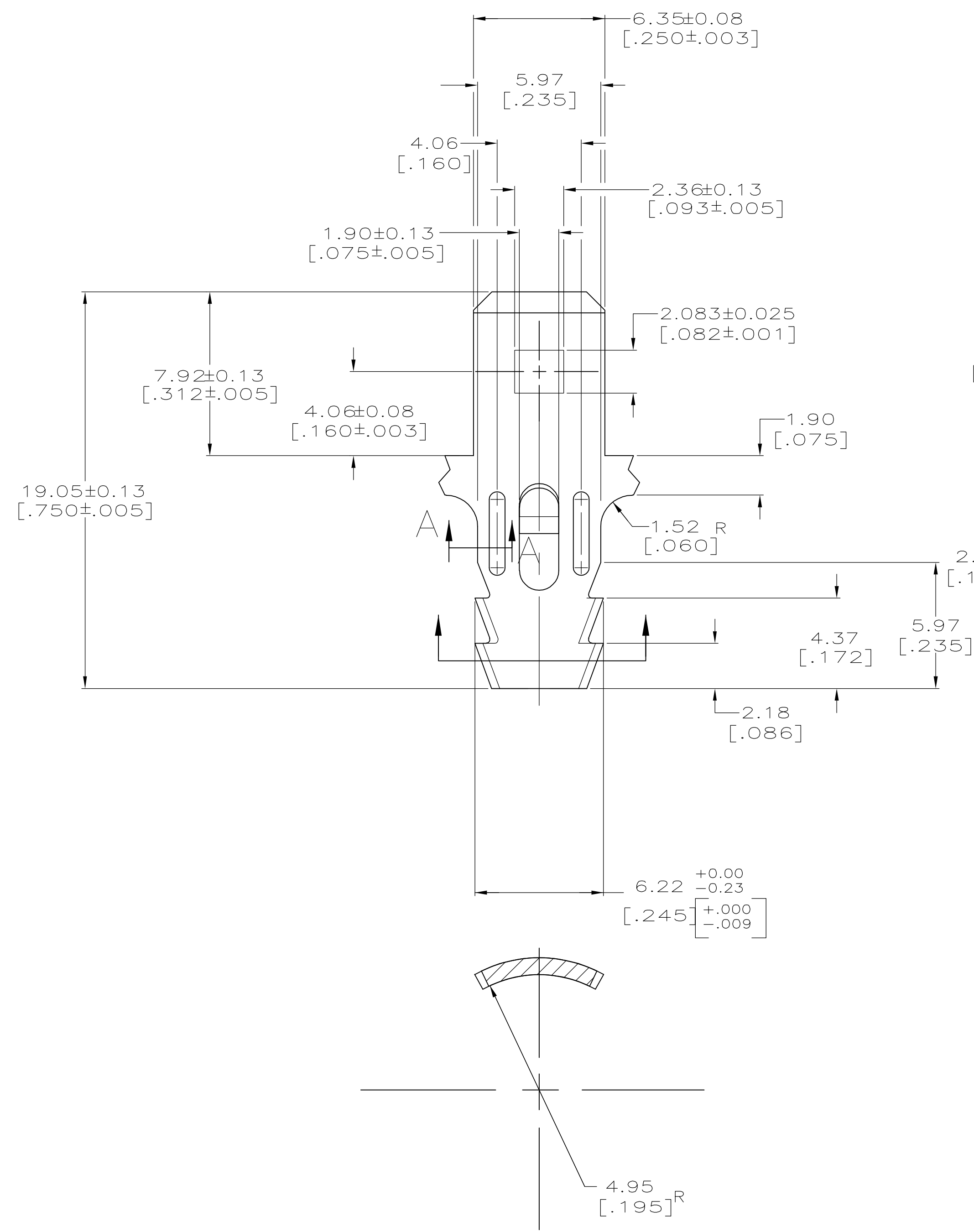
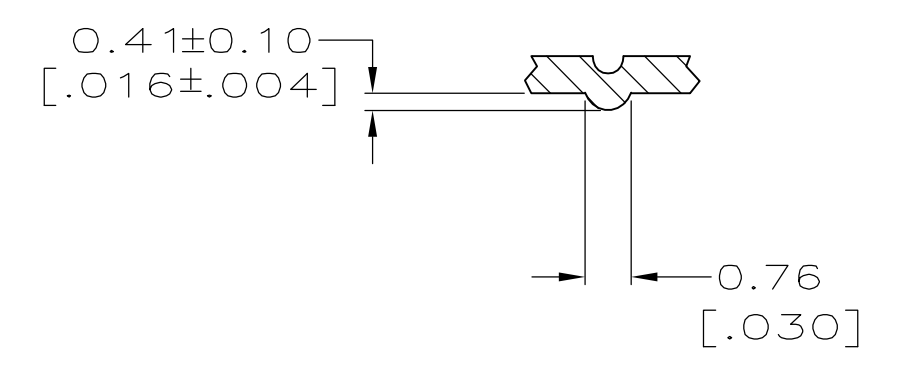
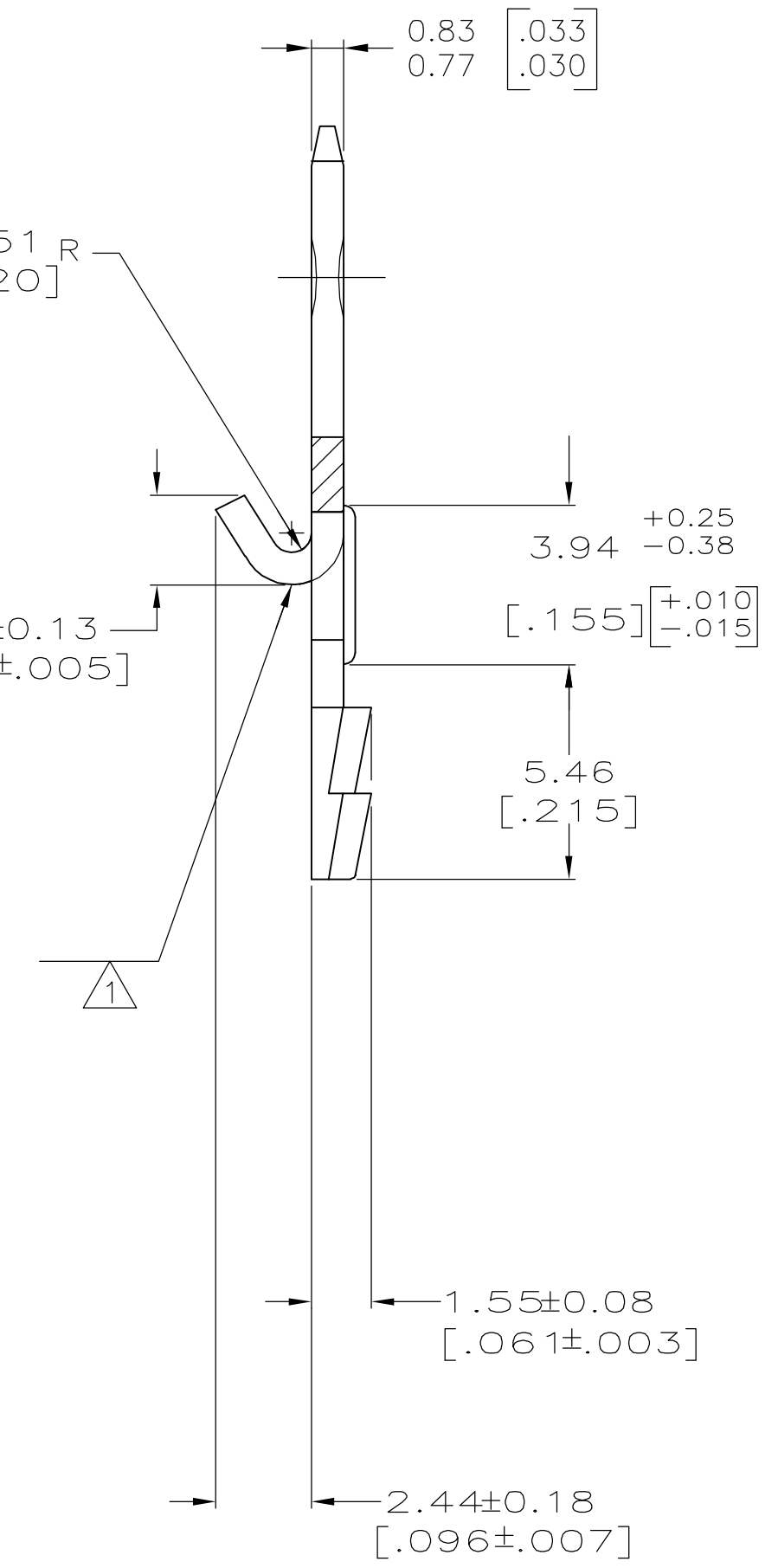


THIS DRAWING IS UNPUBLISHED. RELEASED FOR PUBLICATION  
 © COPYRIGHT BY TYCO ELECTRONICS CORPORATION. ALL RIGHTS RESERVED.

LOC		DIST		REVISIONS			
P	LTR	DESCRIPTION		DATE	DWN	APVD	
D		REV PER ECR 05-017561		24MAR06	JR	KR	



- 1 TANG MUST NOT BREAK WHEN BENT FLAT.
- 2 CONTINUOUS STRIP ON REEL.
- 3 0.002032 [.000080] MIN TIN



RIGHT HAND	63911-2
LEFT HAND	63911-1
REELING	PART NUMBER

THIS DRAWING IS A CONTROLLED DOCUMENT.		DWN 06/JUN/96 PHILLIP M. FORTNEY	Tyco Electronics Corporation Harrisburg, PA 17105-3608	
DIMENSIONS: mm		CHK 06/JUN/96 JEFF R. RUTH	NAME TERMINAL, BOBBIN TAB	
TOLERANCES UNLESS OTHERWISE SPECIFIED:		APVD 06/JUN/96 DON DECKER	PRODUCT SPEC	
0 PLC ± -		APPLICATION SPEC		
1 PLC ± -		WEIGHT -		
2 PLC ± 0.25 [.010]		SIZE A2		
3 PLC ± -		CAGE CODE 00779		
4 PLC ± -		DRAWING NO C=63911		
ANGLES ± -		RESTRICTED TO -		
FINISH - 3		SCALE 6:1		
MATERIAL 082 BRASS		SHEET 1 of 1		
CUSTOMER DRAWING		REV D		

单击下面可查看定价，库存，交付和生命周期等信息

[>>TE Connectivity\(泰科\)](#)