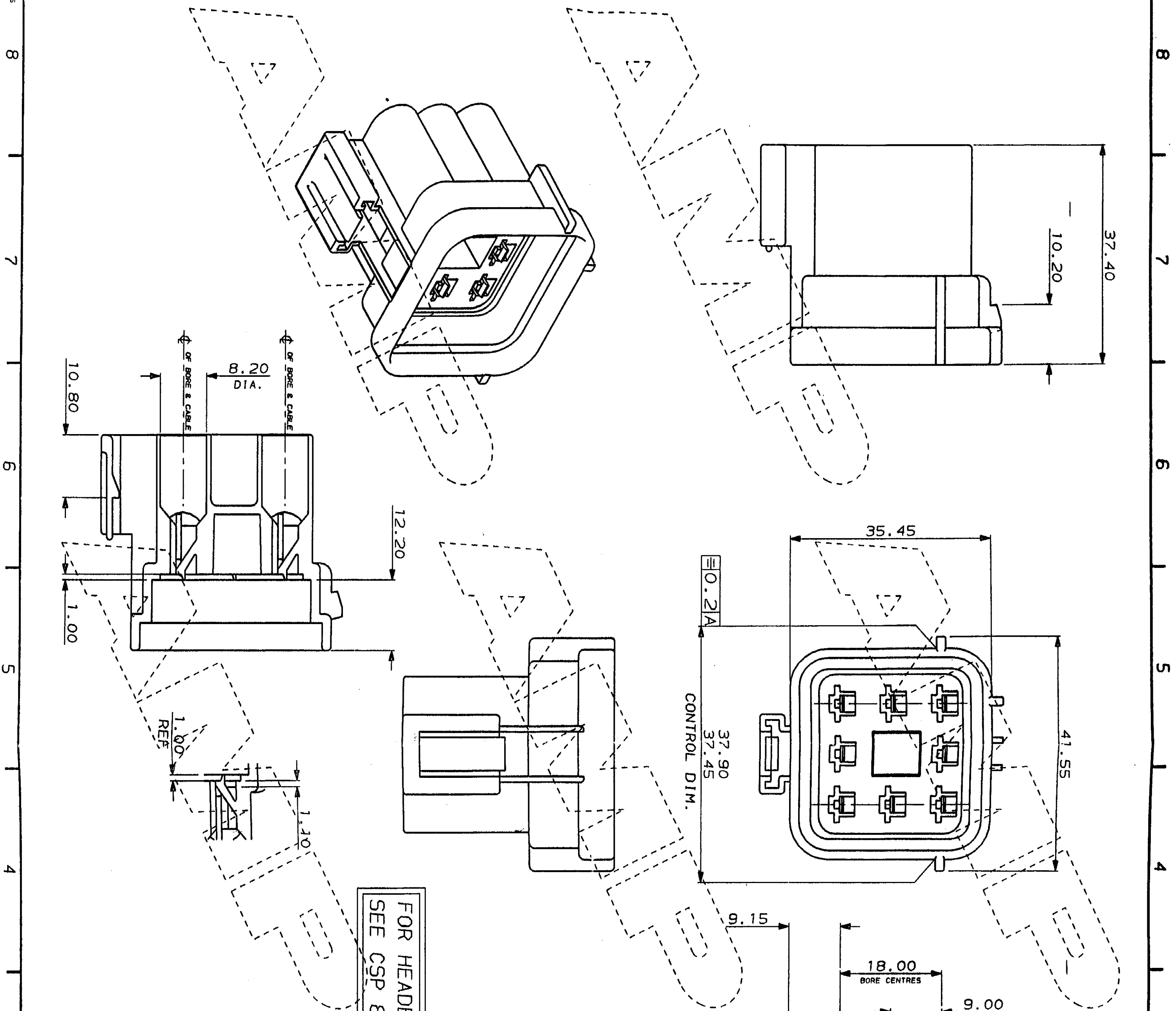


A B C D E F 8 7 6 5 4 3 2 1



FOR HEADER DETAILS OF THIS PART
SEE CSP 8391 REV. 14

DO NOT SCALE
DIMENSIONS IN MM.



FINISH	MATERIAL	PART NUMBER
WHITE	NYLON 6.6	344073-4
BLUE	NYLON 6.6	344073-3
RED	NYLON 6.6	344073-2
BLACK	NYLON 6.6	344073-1

CUSTOMER DWG
FOR REFERENCE ONLY

DR. R. S.
CH. R. J. S.
APP. B. J.

RELEASED FOR PUBLICA
17.5.87

8 WAY TAB HSG.
ECONOMISEAL 3 HIGH CURRENT

AMP
TERMINAL HOUSE
STANDARD
HIBOX.

REV	DATE	BY	APP.	REASON
0	11.3.88	CM/DA		REL. FOR PROD.
A	18.7.88	CS/MI		UPDATED
B	30.6.89	CS/MI		UPDATED
C	3.10.89	CS/VS		ADDED DETAILS
D	27.11.91	CS/RO		ADDED DETS. AND REV. 3
E				ADDED DETS. AND REV. 4

SCALE 2/1
LOC E
SIZE A2
Dwg. No. C344073
REV D
SHEET 1/1

FORMAT 22/05/85

单击下面可查看定价，库存，交付和生命周期等信息

[>>TE Connectivity\(泰科\)](#)