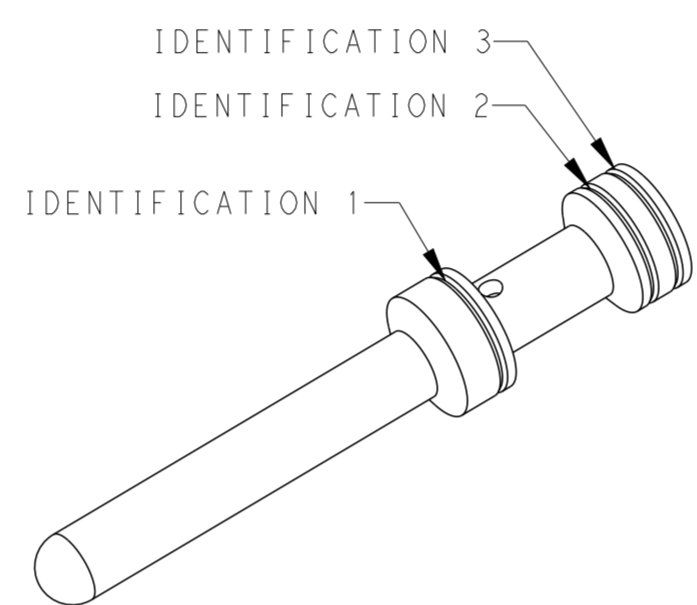
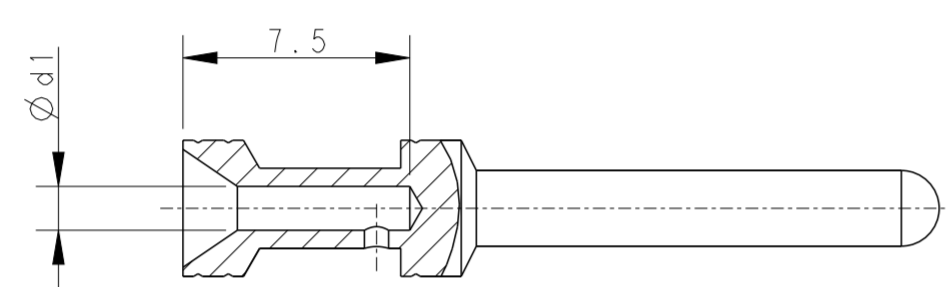
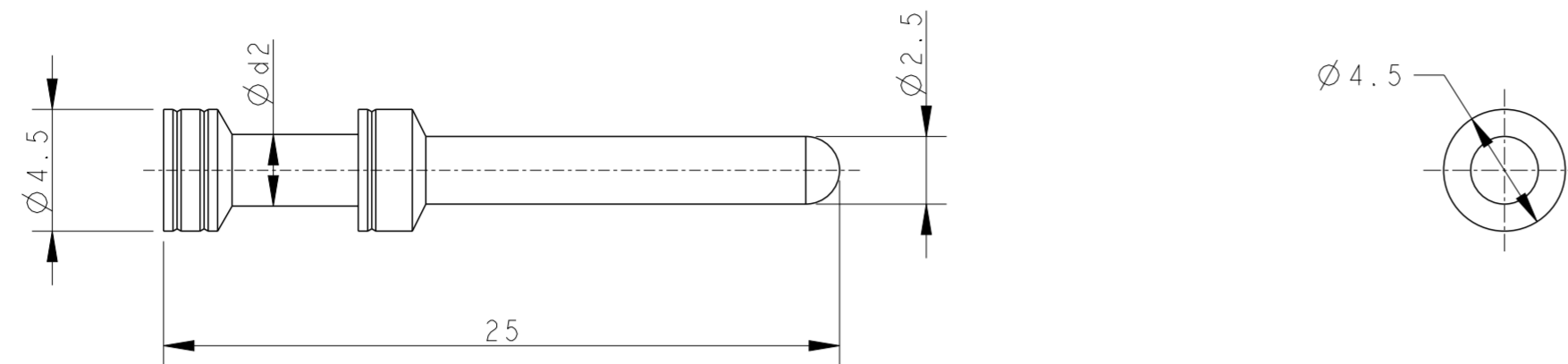


P	LTR	DESCRIPTION	DATE	DWN	APVD
	A	INITIAL RELEASE	20NOV2023	DW	CW



NOTES:

- 1. TECHNICAL CHARACTERISTICS:  
 CONTACT MATERIAL: BRASS  
 SURFACE PLATING: SILVER  
 CONTACT RESISTANCE: <=5 mΩ  
 WIRE RANGE: SEE TABLE

注释:

- 1. 技术参数:  
 公针材料: 黄铜  
 表面电镀: 镀银  
 接触电阻: <=5 mΩ  
 接线范围: SEE TABLE

PART NUMBER 料号	PART DESCRIPTION 描述	∅ d1	∅ d2	WIRE GAUGE 线规		STRIPPING LENGTH 剥线长度 (mm)	IDENTIFICATION 1 识别1 (NUMBER OF GROOVES 沟槽数量)	IDENTIFICATION 2 识别2 (NUMBER OF GROOVES 沟槽数量)	IDENTIFICATION 3 识别3 (NUMBER OF GROOVES 沟槽数量)
				MM <sup>2</sup>	AWG				
T2030541002-000	HEM-0.3, SILVER PLATING HEM公针0.14-0.37mm <sup>2</sup> , 镀银, 高插拔	0.90	2.50	0.14-0.37	26-22	7.5	I GROOVE	I GROOVE	I GROOVE
T2030541008-000	HEM-0.75, SILVER PLATING HEM公针0.75mm <sup>2</sup> , 镀银, 高插拔	1.30	2.50	0.75	18		NO GROOVE	I GROOVE	I GROOVE

THIS DRAWING IS A CONTROLLED DOCUMENT.

DWN DAVID WANG 20NOV2023	TE Connectivity
CHK GINO YAO 20NOV2023	
APVD CHRIS WANG 20NOV2023	
PRODUCT SPEC 108-137675	
APPLICATION SPEC 114-137675	NAME HEM EE PIN CONTACT
MATERIAL -	SIZE A2
FINISH -	CAGE CODE 00779
	DRAWING NO T2030541XXX000
	RESTRICTED TO -
CUSTOMER DRAWING	SCALE 4:1 SHEET 1 OF 1 REV A

单击下面可查看定价，库存，交付和生命周期等信息

[>>TE Connectivity\(泰科\)](#)