

4

3

2

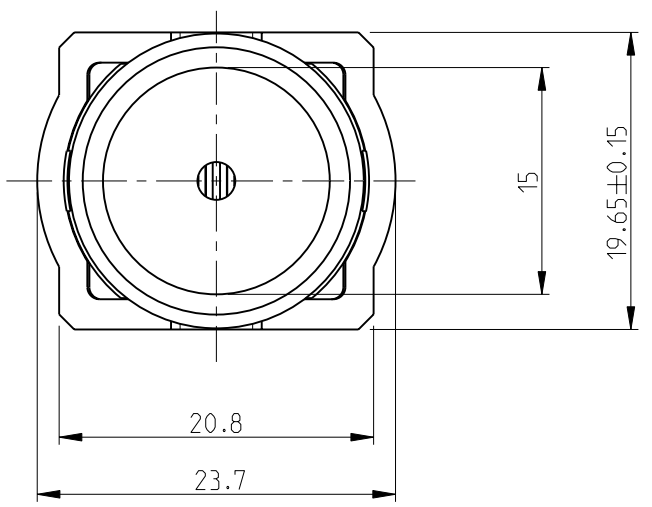
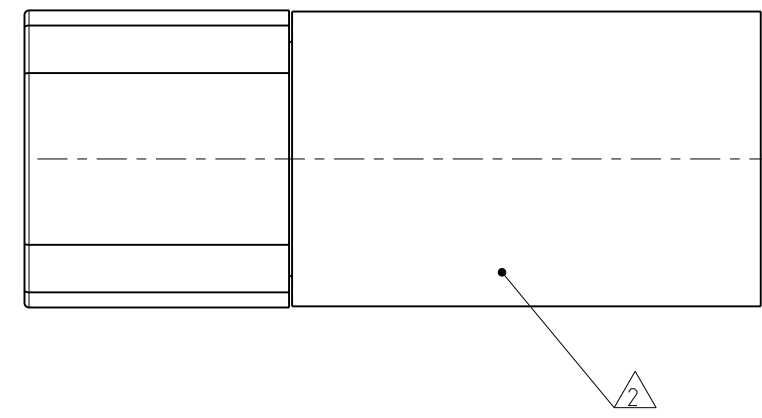
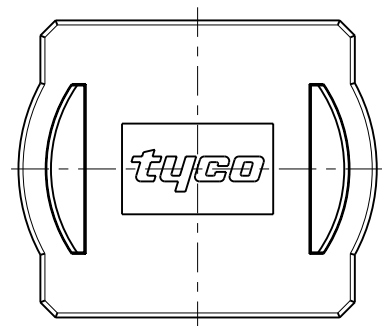
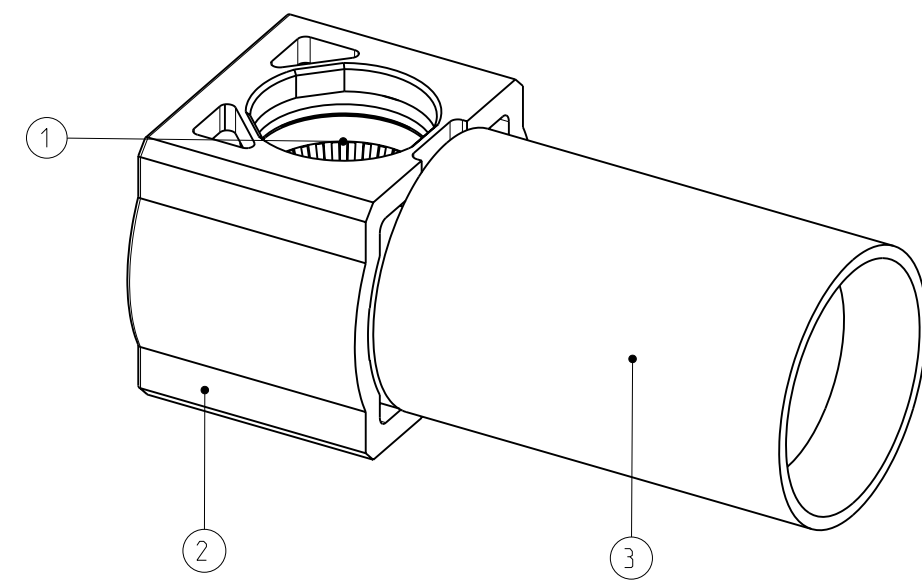
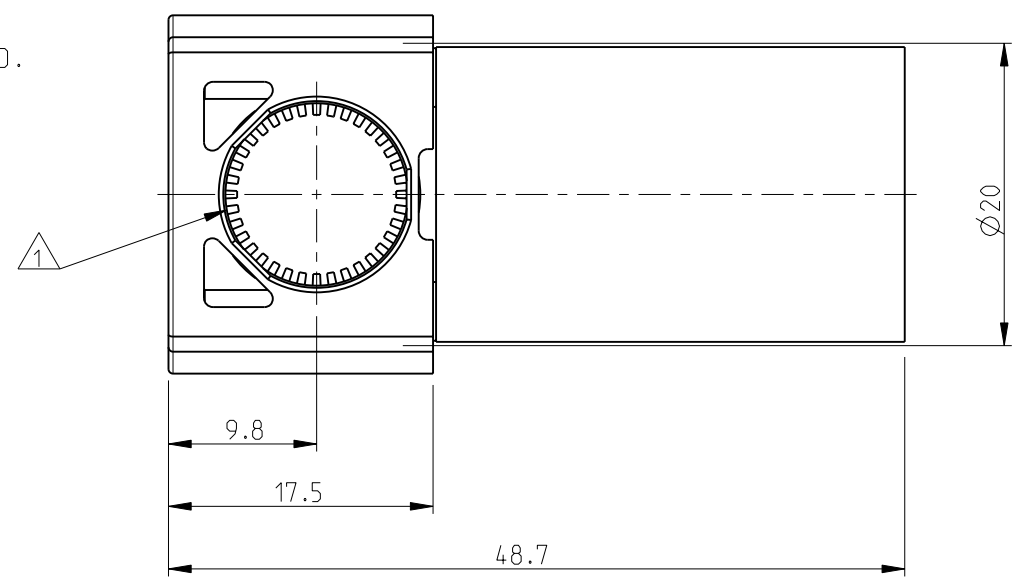
1

THIS DRAWING IS UNPUBLISHED. RELEASED FOR PUBLICATION
 © COPYRIGHT - BY TYCO ELECTRONICS CORPORATION. ALL RIGHTS RESERVED.

LOC	DIST	REVISIONS					
H	-	P	LTR	DESCRIPTION	DATE	DWN	APVD
			A	Released As per ECR-10-025797	16DEC10	C.J	PKS

NOTES:

- 1 SOCKET SUITABLE FOR Ø12mm PIN.
- 2 CRIMP BARREL SUITABLE FOR 95mm² HIGH FLEXIBLE CABLE.
- 3 TERMINATION DETAILS TO BE DETERMINED.



COLOR	PART NUMBER
BLUE	1857547-2
RED	1857547-1

ITEM NO.	DESCRIPTION	MATERIAL	FINISH
3	SOCKET CONTACT BODY	COPPER ALLOY	SILVER OVER NICKEL
2	INSULATOR	THERMOPLASTIC UL94V-0	COLOR: RED OR BLUE
1	FEMALE LOUVERTAC BAND	COPPER ALLOY	SILVER OVER NICKEL

<small>THIS DRAWING IS A CONTROLLED DOCUMENT FOR TYCO ELECTRONICS CORPORATION IT IS SUBJECT TO CHANGE AND THE CONTROLLING ENGINEERING ORGANIZATION SHOULD BE CONTACTED FOR THE LATEST REVISION.</small>	
DIMENSIONS: mm	TOLERANCES UNLESS OTHERWISE SPECIFIED:
	0 PLC ±-
	1 PLC ±-
	2 PLC ±-
	3 PLC ±-
	4 PLC ±-
	ANGLES ±
MATERIAL see table	FINISH see table

DWN R. Daamen 15 mar 05	Tyco Electronics Nederland BV 's-Hertogenbosch, The Netherlands
CHK P. Jaeger 30 mar 06	
APVD J. Broeksteeg 30 mar 06	
PRODUCT SPEC -	NAME RAPID LOCK 12mm pin, 95Sq. mm
APPLICATION SPEC -	SIZE A3
WEIGHT -	CAGE CODE 00779
CUSTOMER DRAWING	DRAWING NO 1857547
	RESTRICTED TO -
SCALE 2:1	SHEET 1 OF 1
	REV A

单击下面可查看定价，库存，交付和生命周期等信息

[>>TE Connectivity\(泰科\)](#)