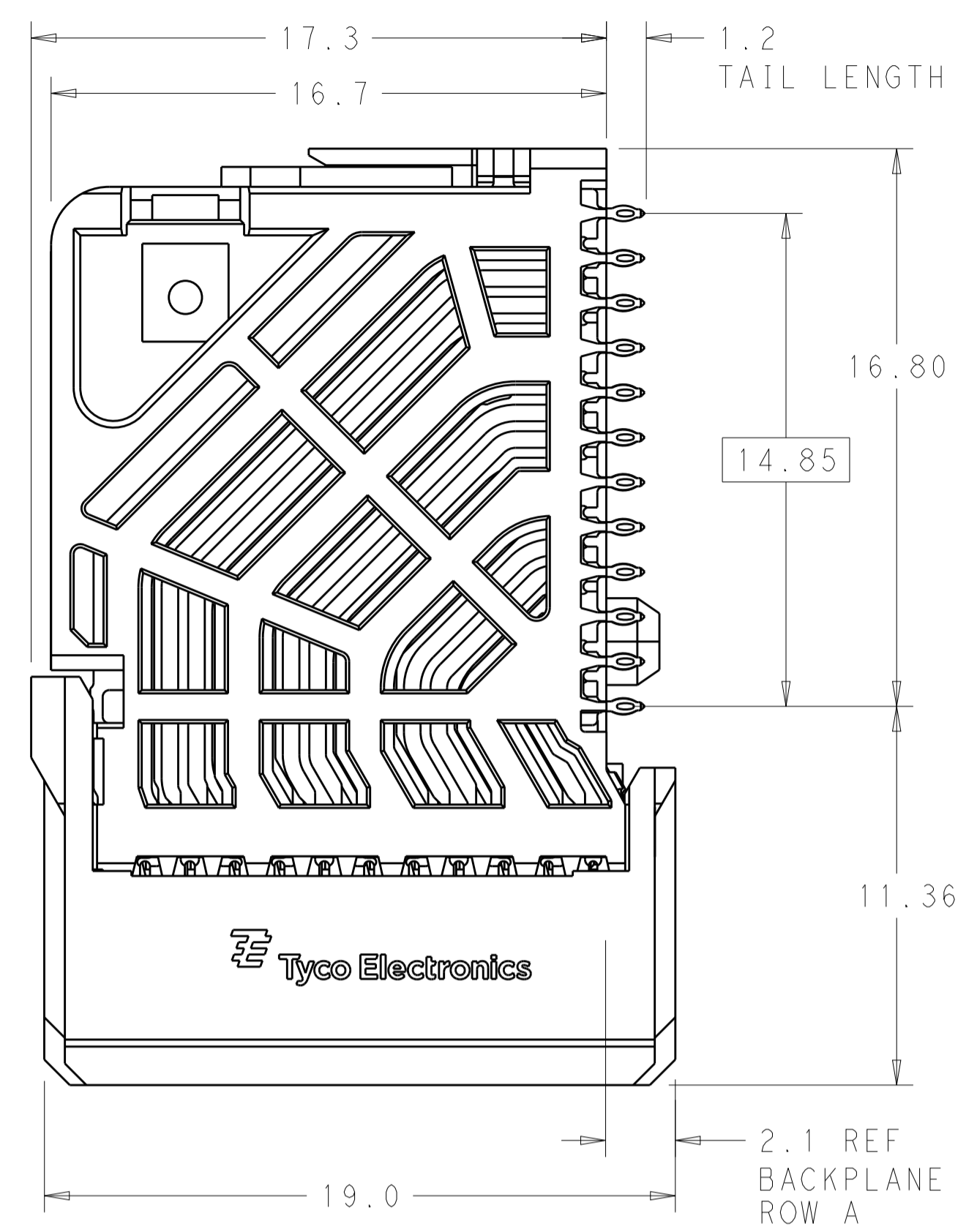
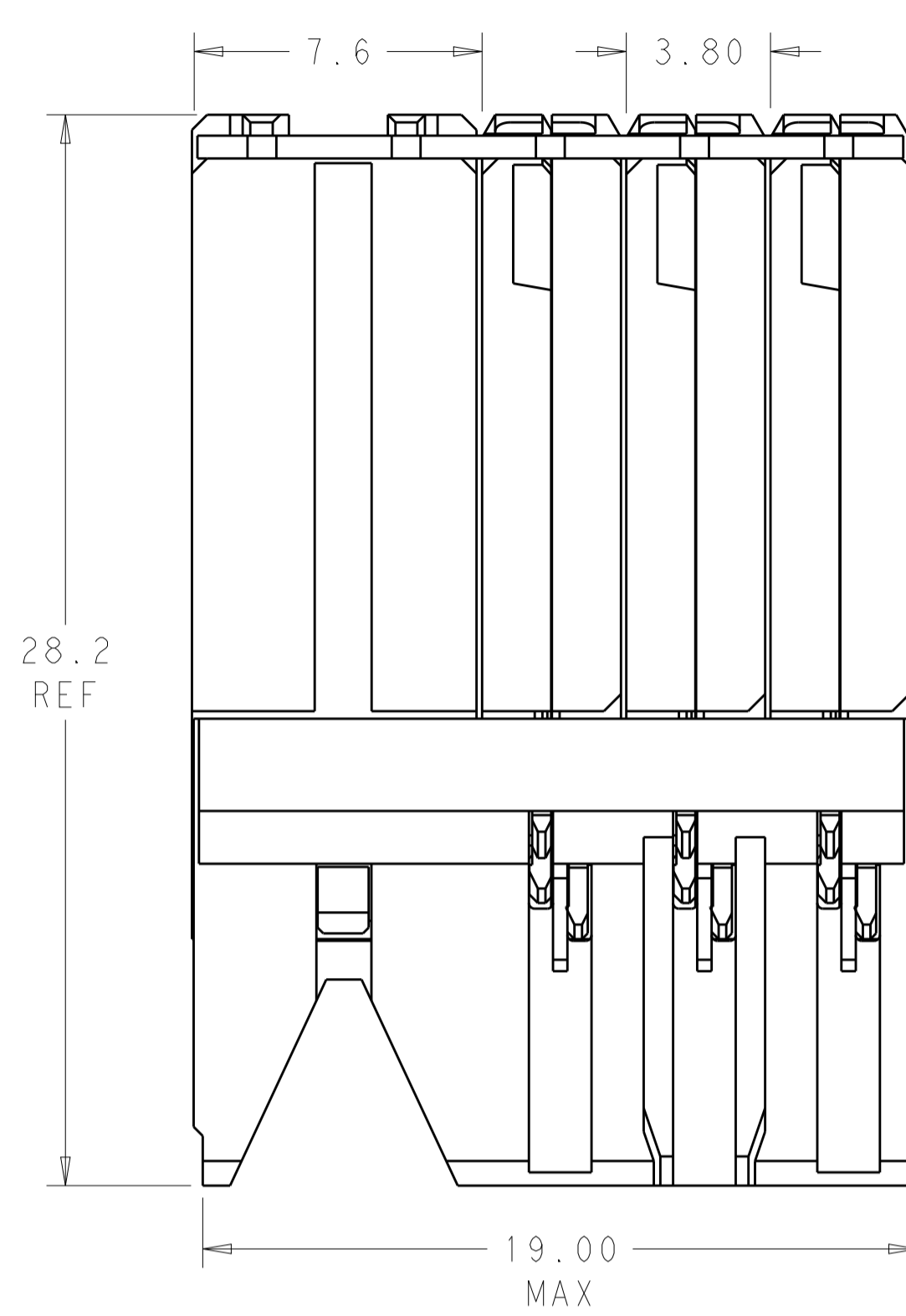
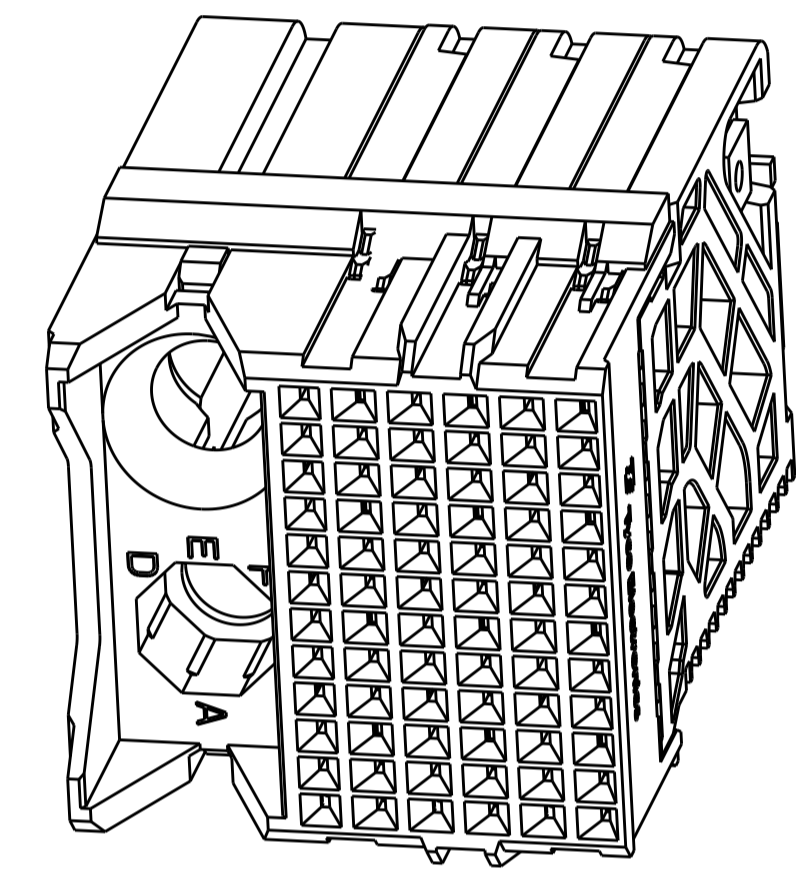


REVISIONS				
P.	LTN.	DESCRIPTION	DATE	APVD.
C1		REVISED PER ECO-14-018036	18FEB2015	AP DD

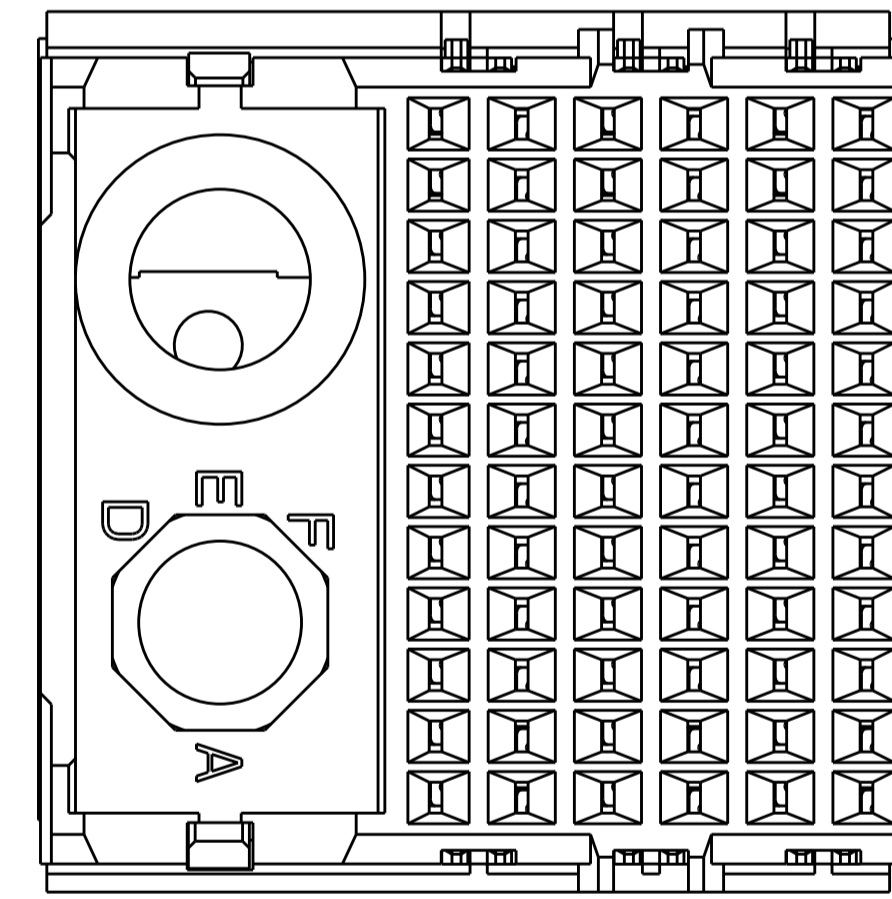


- MATERIAL:
HOUSING: LCP, GLASS FILLED, UL94V-0.
TERMINALS: HIGH PERFORMANCE COPPER ALLOY.
- FINISH:
30µ" SELECTIVE GOLD IN CONTACT AREA. SELECTIVE TIN ON PCB TAILS, NICKEL OVERALL.
- CONNECTORS SUPPLIED WITH MOUNTING SCREWS

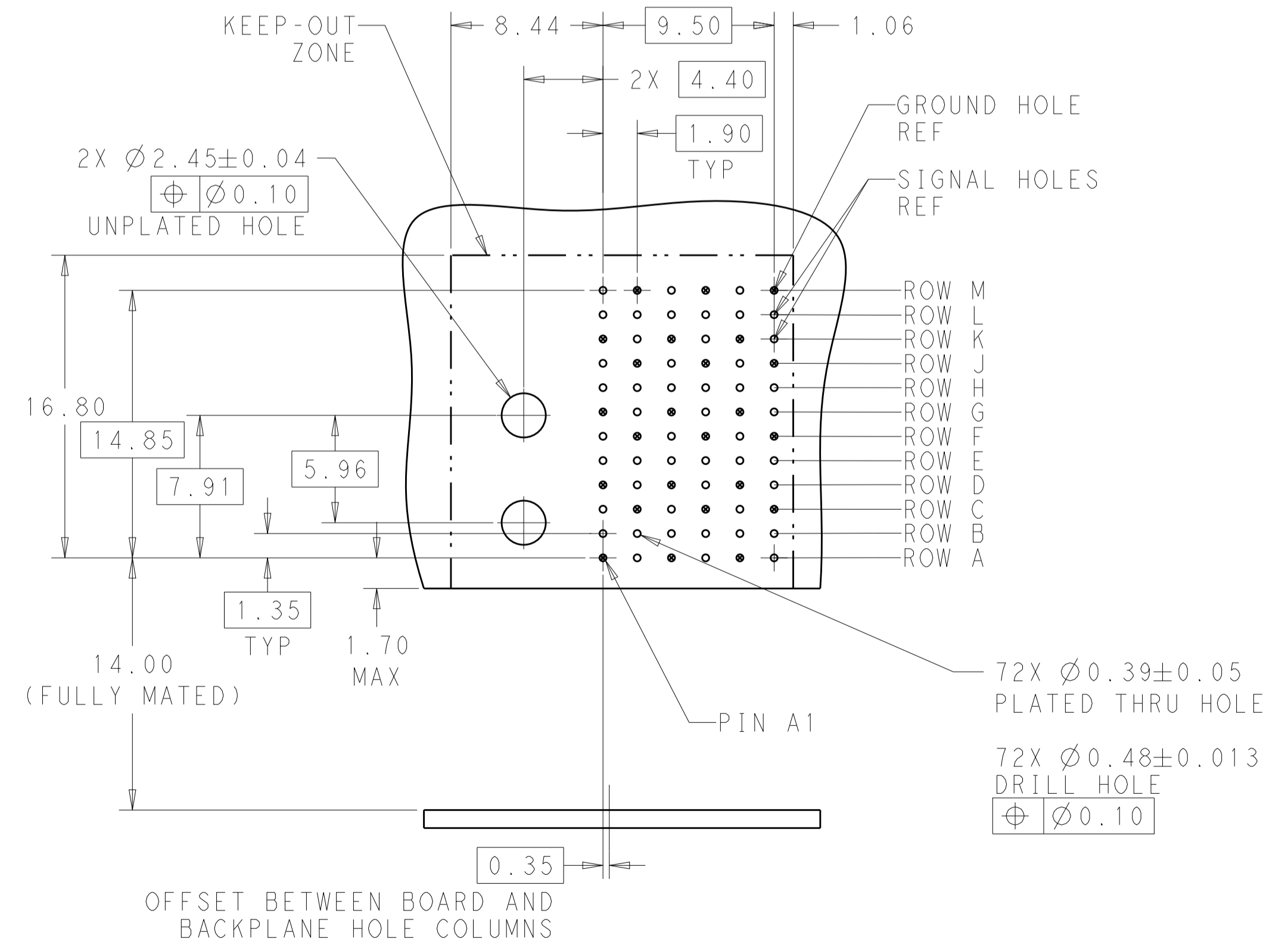


SCALE 4:1

REFER TO WWW.TE.COM FOR PRODUCT AVAILABILITY



KEY POSITION CHART	
	NONE
	A
	B
	C
	D
	E
	F
	G
	H



RECOMMENDED PCB LAYOUT
 MIN BOARD THICKNESS 1.0

KEY POSITION	FINISH	PART NUMBER
H		8-2132737-1
G		7-2132737-1
F		6-2132737-1
E		5-2132737-1
D		4-2132737-1
C		3-2132737-1
B		2-2132737-1
A		1-2132737-1
NONE		2132737-1

THIS DRAWING IS A CONTROLLED DOCUMENT.

OWN: B. CARBO 27DEC2010
 CHK: D. DIXON 27DEC2010
 APVD: D. DIXON 27DEC2010

DIMENSIONS: mm

TOLERANCES UNLESS OTHERWISE SPECIFIED:
 0 PLC ±
 1 PLC ±0.25
 2 PLC ±0.13
 3 PLC ±
 4 PLC ±
 ANGLES ±

MATERIAL: SEE TABLE

FINISH: SEE TABLE

NAME: IMPACT, 4 PAIR, DAUGHTERCARD 6 COLUMN, LEFT GUIDED, SIGNAL MODULE, 0.39 EYELET

SIZE: A1
 CAGE CODE: 00779
 DRAWING NO: 2132737

RESTRICTED TO: -

CUSTOMER DRAWING

SCALE: 6:1 SHEET 1 OF 1 REV: C1

单击下面可查看定价，库存，交付和生命周期等信息

[>>TE Connectivity\(泰科\)](#)