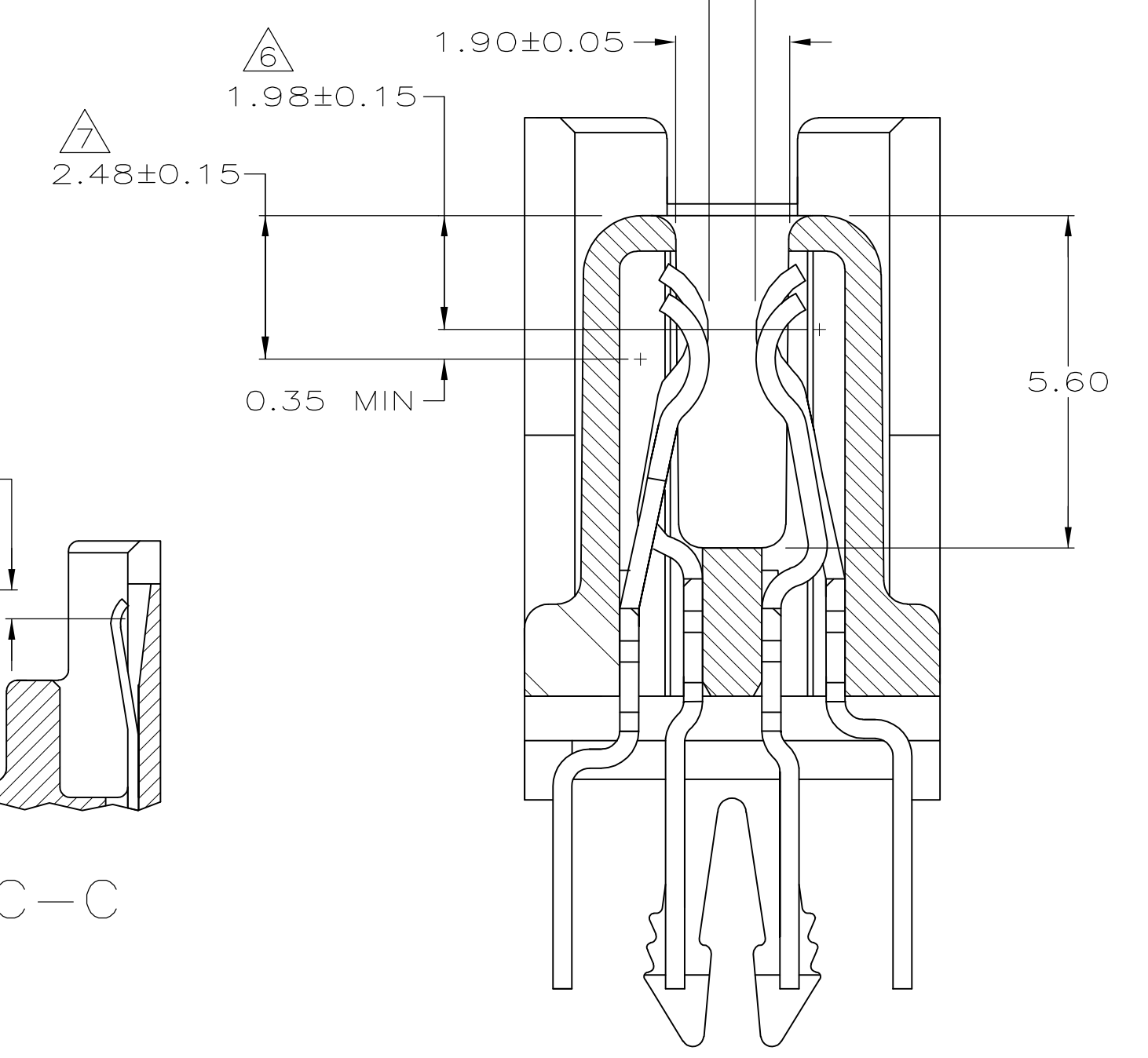
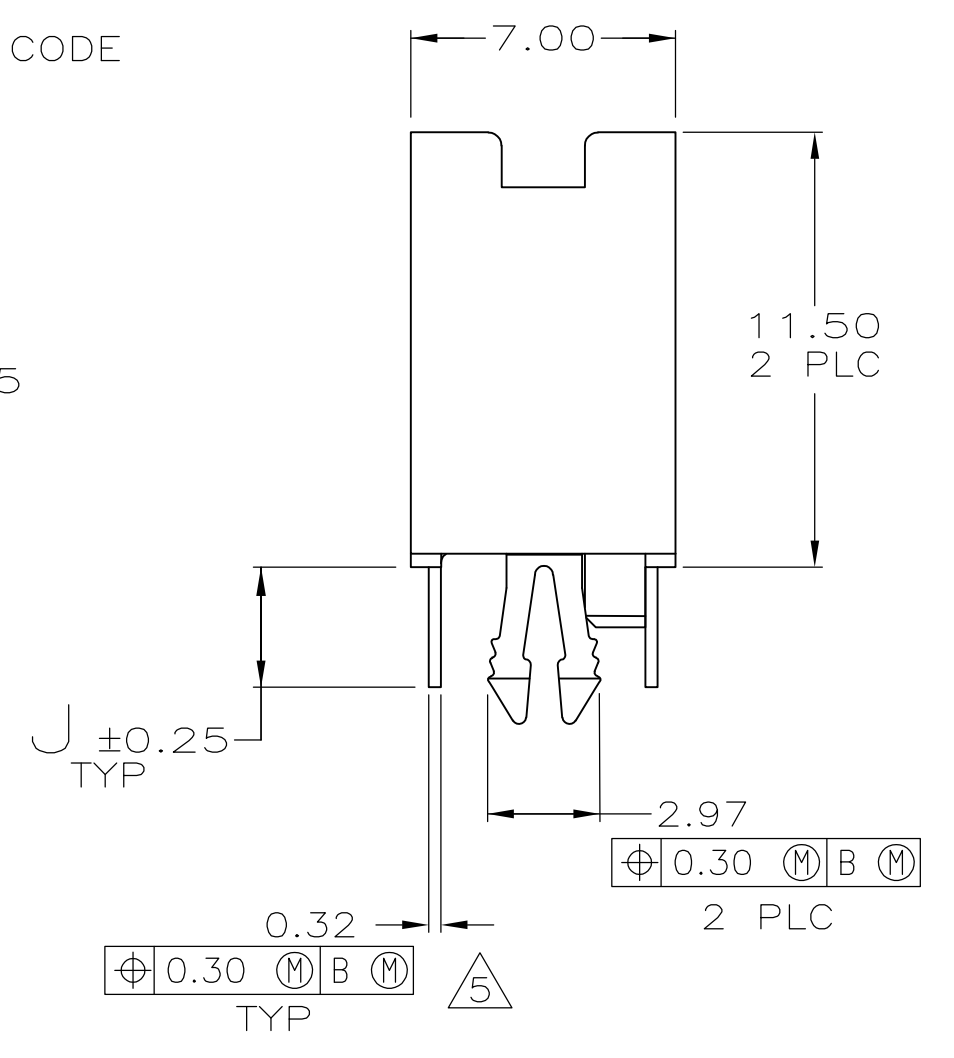
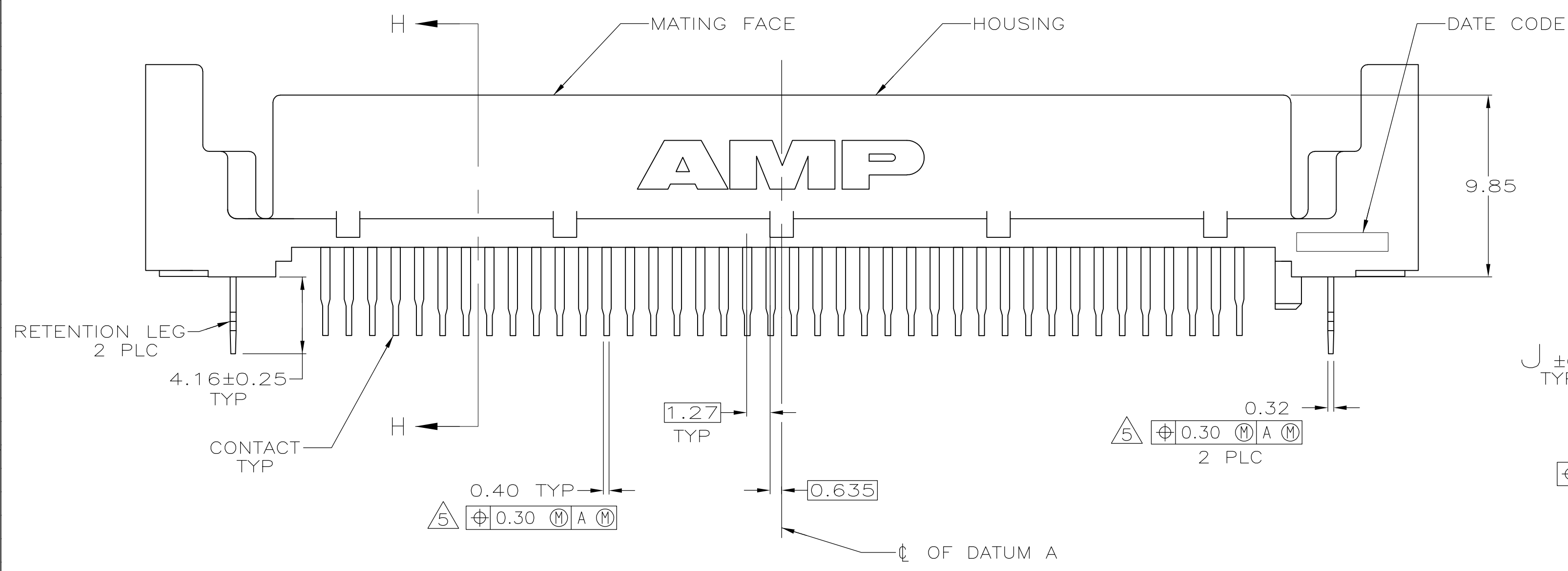


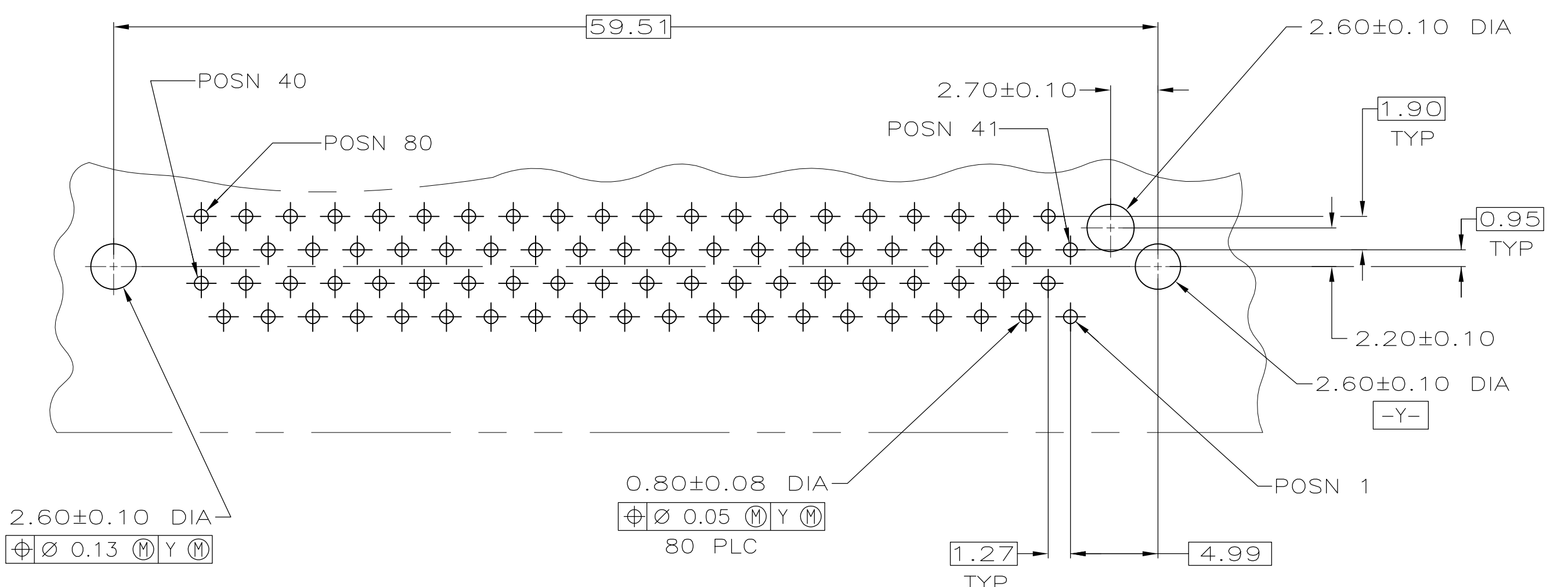
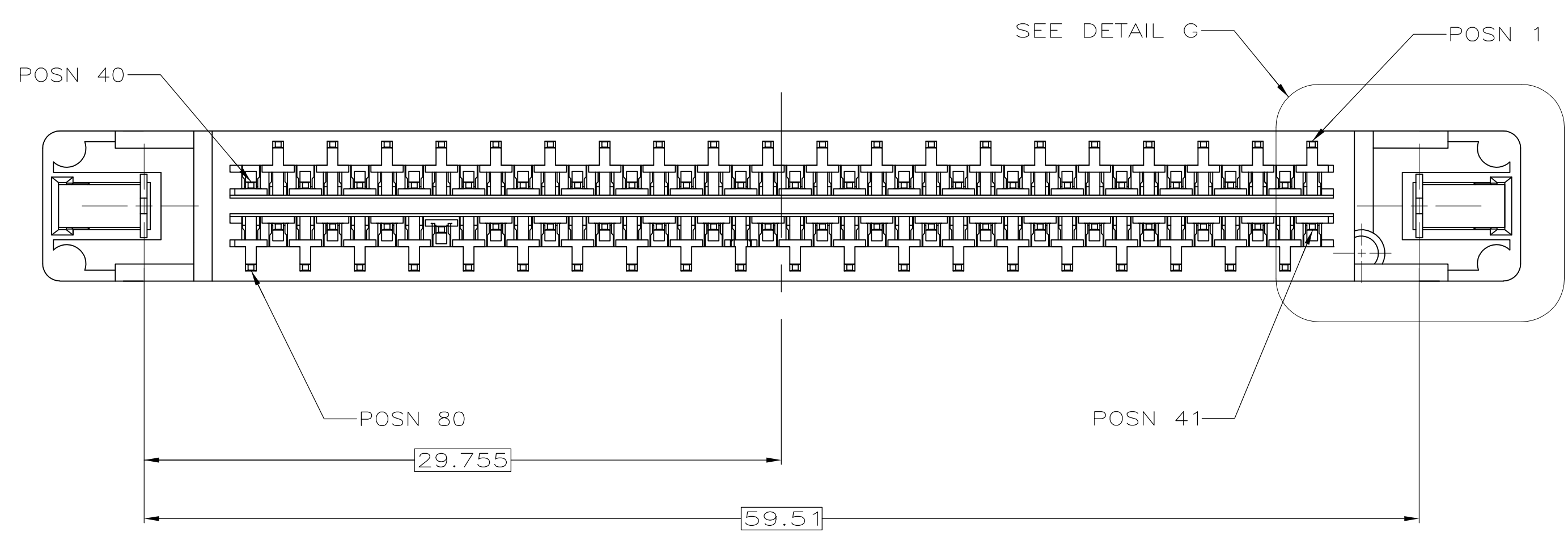
DETAIL G
SCALE 10:1



SECTION H-H
SCALE 10:1



SECTION C-C



RECOMMENDED PC BOARD
MOUNTING DIMENSIONS
COMPONENT SIDE
SCALE 4:1

- ① HOUSING: LCP, UL 94V-0 RATED, BLACK.
CONTACTS: PHOSPHOR BRONZE.
RETENTION LEG: BRASS.
- ② CONTACTS: 0.76µm GOLD FOR A LENGTH 1.20 MIN STARTING 0.50 MAX FROM MATING END,
3.81µm MIN TIN-LEAD FOR A LENGTH OF 3.43 MIN FROM OPPOSITE END, BOTH OVER
1.27µm MIN NICKEL.
- ③ RETENTION LEG: 3.81µm MIN TIN-LEAD OVER 1.27µm MIN NICKEL.
- ④ CONNECTOR WILL ACCOMMODATE MATING PRINTED CIRCUIT BOARD OF 1.60±0.07 THICKNESS.
- ⑤ POSITION TOLERANCE APPLIES AT CONTACT TIP ONLY.
- ⑥ CONTACTS 1, 36 THRU 40, 41 THRU 43, 45, 46 AND 75 THRU 80 ARE POSITIONED TOWARD THE MATING FACE. (FIRST MATE)
- ⑦ CONTACTS 2 THRU 35, 44, AND 47 THRU 74 ARE POSITIONED AWAY FROM THE MATING FACE. (SECOND MATE)
- ⑧ CONTACTS: 0.76µm GOLD FOR A LENGTH 1.20 MIN STARTING 0.50 MAX FROM MATING END,
3.81µm MIN TIN-LEAD FOR A LENGTH OF 3.43 MIN FROM OPPOSITE END, BOTH OVER
1.27µm MIN NICKEL.
- ⑨ RETENTION LEG: 3.81µm MIN HALT TIN OVER 1.27µm MIN NICKEL.
- ⑩ OBSOLETE PARTS: OBSOLETE CIS STREAMLINING PER D.RENAUD/D.SINISI

SUPERCEDED BY 787311-5	⑧ ⑨	4.57	80	787311-5
	⑧ ⑨	3.18	80	787311-4
	② ③	4.57	80	787311-3
	② ③	3.18	80	787311-2
OBSOLETE	② ③	3.18	80	787311-2
OBSOLETE	② ③	3.18	80	787311-1
FINISH	J	POSN	PART NUMBER	

THIS DRAWING IS A CONTROLLED DOCUMENT.

DIMENSIONS: mm	TOLERANCES UNLESS OTHERWISE SPECIFIED:	DIN C. DORWART 06/06/95	STE	TE Connectivity
0 PLC ± -	1 PLC ± -	CHK R. STONE 06/16/95	APVD M. RUPERT 06/16/95	NAME
2 PLC ± 0.10	3 PLC ± 0.10	PRODUCT SPEC	108-1548	RECEPTACLE ASSEMBLY, VERTICAL, CHAMP™, BLINDMATE .050 SERIES I
4 PLC ± -	ANGLES ± -	APPLICATION SPEC	114-6061	SIZE CAGE CODE DRAWING NO
MATERIAL ①	FINISH SEE TABLE	WEIGHT -	A1 00779	RESTRICTED TO
		CUSTOMER DRAWING	SCALE 5:1	SHEET 1 OF 1 REV P

单击下面可查看定价，库存，交付和生命周期等信息

[>>TE Connectivity\(泰科\)](#)