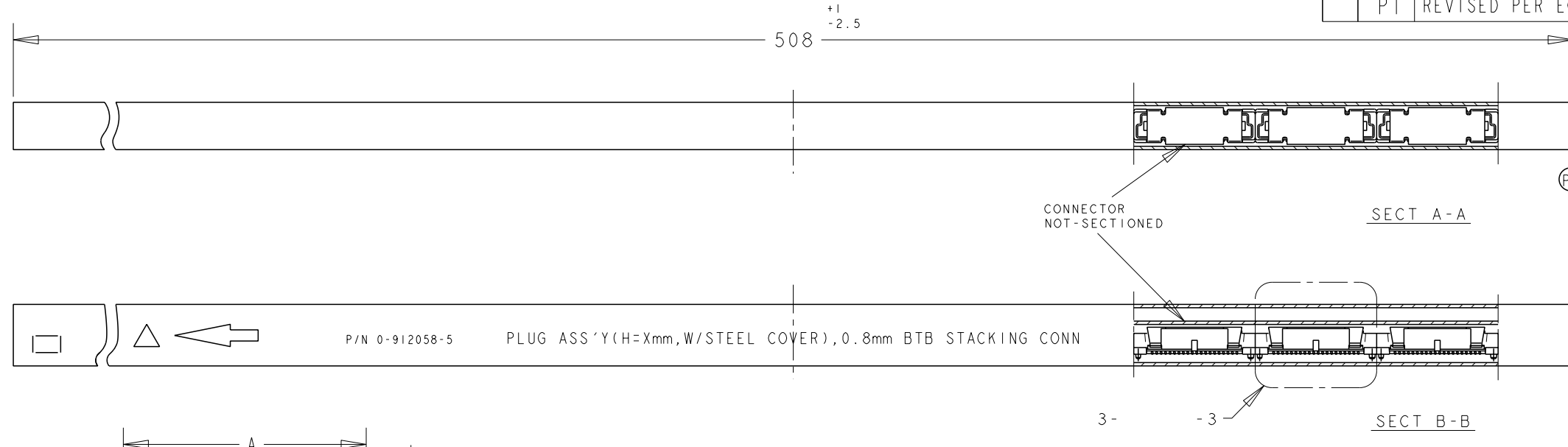
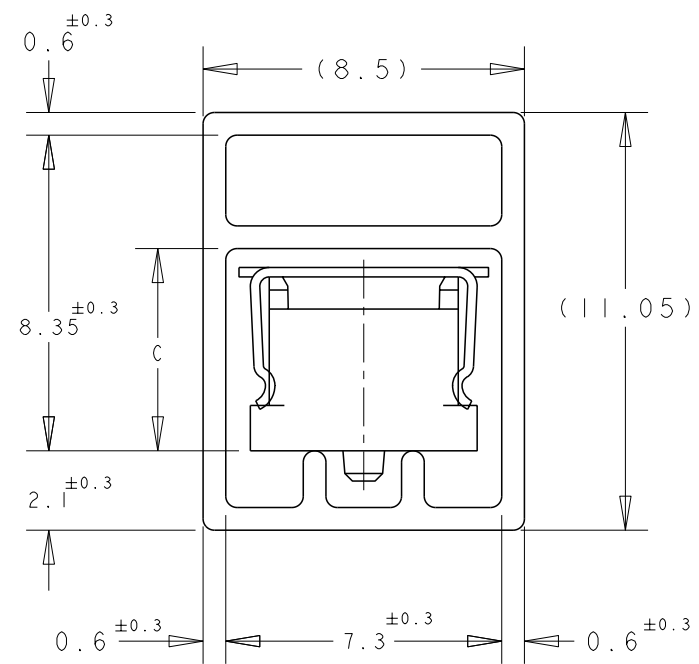
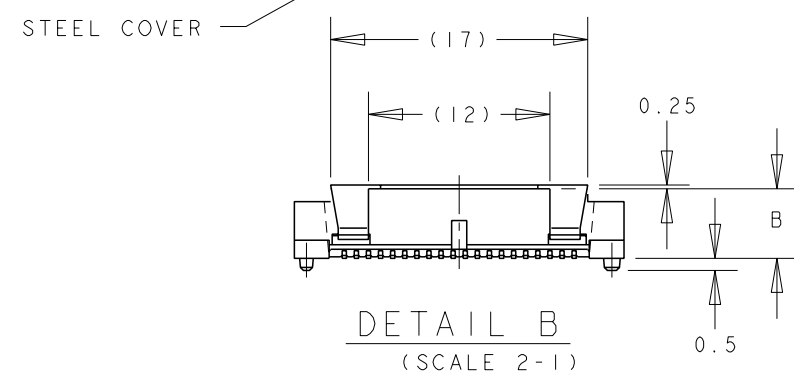
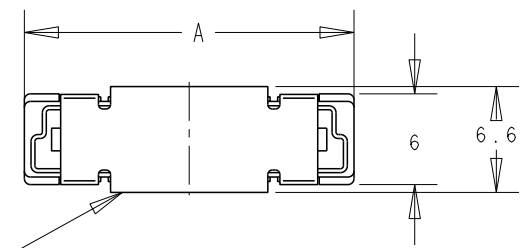
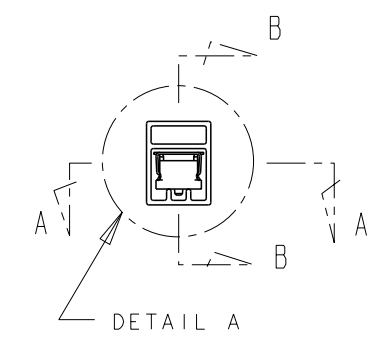


THIS DRAWING IS UNPUBLISHED. RELEASED FOR PUBLICATION .19 .
 (C) COPYRIGHT 19 BY AMP INCORPORATED. ALL RIGHTS RESERVED.

LOC DY	DIST -	REVISIONS			DATE	DWN	APVD
		P	LTR	DESCRIPTION			
				PI REVISED PER ECR-15-003992	16MAR2015	I.T	W.H



1 OBSOLETE PARTS: OBSOLETE CIS STREAMLINING PER D.RENAUD/D.SINISI
 2 RE-ACTIVE PARTS

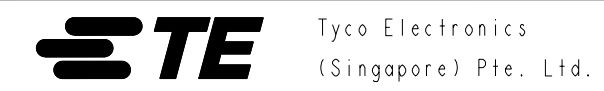


5				85.8	1-	-0	200	7-	-0	5				85.8	1-	-0	200	3-	-0
6				77.8		-9	180	6-	-9	6				77.8		-9	180	2-	-9
6				69.8		-8	160	6-△	-8	6				69.8		-8	160	2-	-8
7				61.8		-6	140	6-	-6	7				61.8		-6	140	2-△	-6
9				53.8		-5	120	6-	-5	9				53.8		-5	120	2-△	-5
10				45.8		-4	100	6-	-4	10				45.8		-4	100	2-	-4
12				37.8		-3	80	6-△	-3	12				37.8		-3	80	2-	-3
16				29.8		-2	60	6-△	-2	16				29.8		-2	60	2-△	-2
22	8H	8.35	7.6	21.8	5179031-1		40	6-△	5179230-1	22	6H	6.35	5.6	21.8	5179029-1		40	2-△	5179230-1
5				85.8	1-	-0	200	5-	-0	5				85.8	1-	-0	200	1-	-0
6				77.8		-9	180	4-	-9	6				77.8		-9	180		-9
6				69.8		-8	160	4-△	-8	6				69.8		-8	160	△	-8
7				61.8		-6	140	4-△	-6	7				61.8		-6	140	△	-6
9				53.8		-5	120	4-	-5	9				53.8		-5	120		-5
10				45.8		-4	100	4-△	-4	10				45.8		-4	100		-4
12				37.8		-3	80	4-△	-3	12				37.8		-3	80		-3
16				29.8		-2	60	4-△	-2	16				29.8		-2	60	△	-2
22	7H	7.35	6.6	21.8	5179030-1		40	4-△	5179230-1	22	5H	5.35	4.6	21.8	5177984-1		40	△	5179230-1
QTY	HEIGHT TYPE	C	B	A	CONN P/N	POS.	PART NO.	QTY	HEIGHT TYPE	C	B	A	CONN P/N	POS.	PART NO.				

THIS DRAWING IS A CONTROLLED DOCUMENT FOR AMP INCORPORATED. IT IS SUBJECT TO CHANGE AND THE CONTROLLING ENGINEERING ORGANIZATION SHOULD BE CONTACTED FOR THE LATEST REVISION.

DIMENSIONS:	TOLERANCES UNLESS OTHERWISE SPECIFIED:
mm	0 PLC ±
	1 PLC ±0.20
	2 PLC ±0.25
	3 PLC ±0.30
	4 PLC ±
	ANGLES ±3°
MATERIAL	FINISH
-	-

DWN 03SEP04
 FLORENCE TAN
 CHK ERIC TNG
 APVD SE LEONG
 PRODUCT SPEC
 APPLICATION SPEC
 WEIGHT
 CUSTOMER DRAWING



NAME
 PLUG A'SSY WITH STEEL COVER (TUBE PACK)
 FH 0.8mm PITCH B-T-B CONNECTOR
 SIZE A3 CAGE CODE 00779 DRAWING NO C-5179230
 SCALE 1:1 SHEET 1 OF 1 REV PI

单击下面可查看定价，库存，交付和生命周期等信息

[>>TE Connectivity\(泰科\)](#)