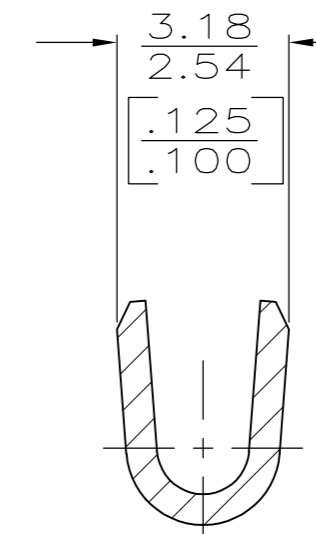
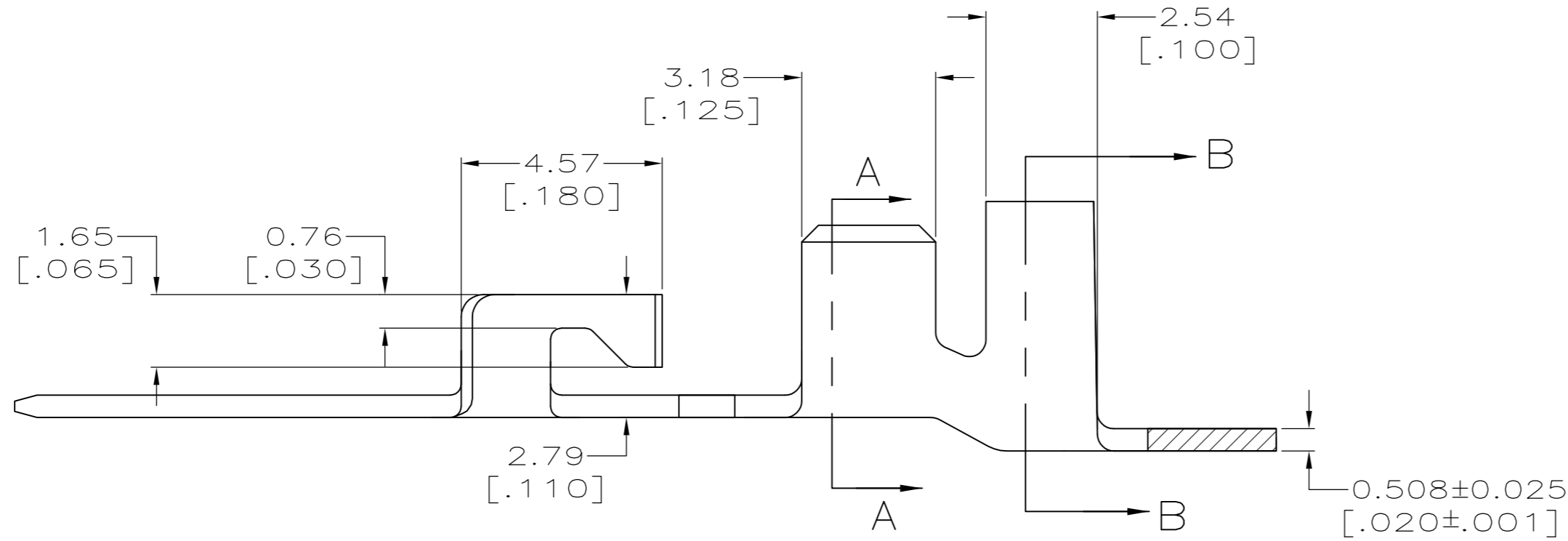
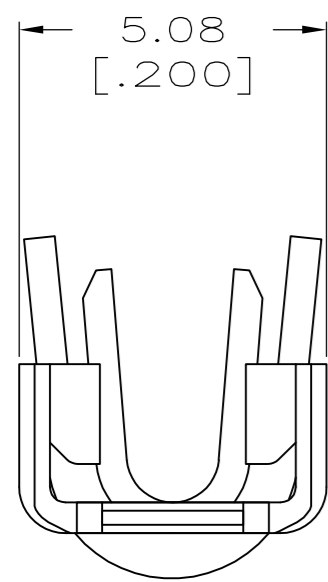
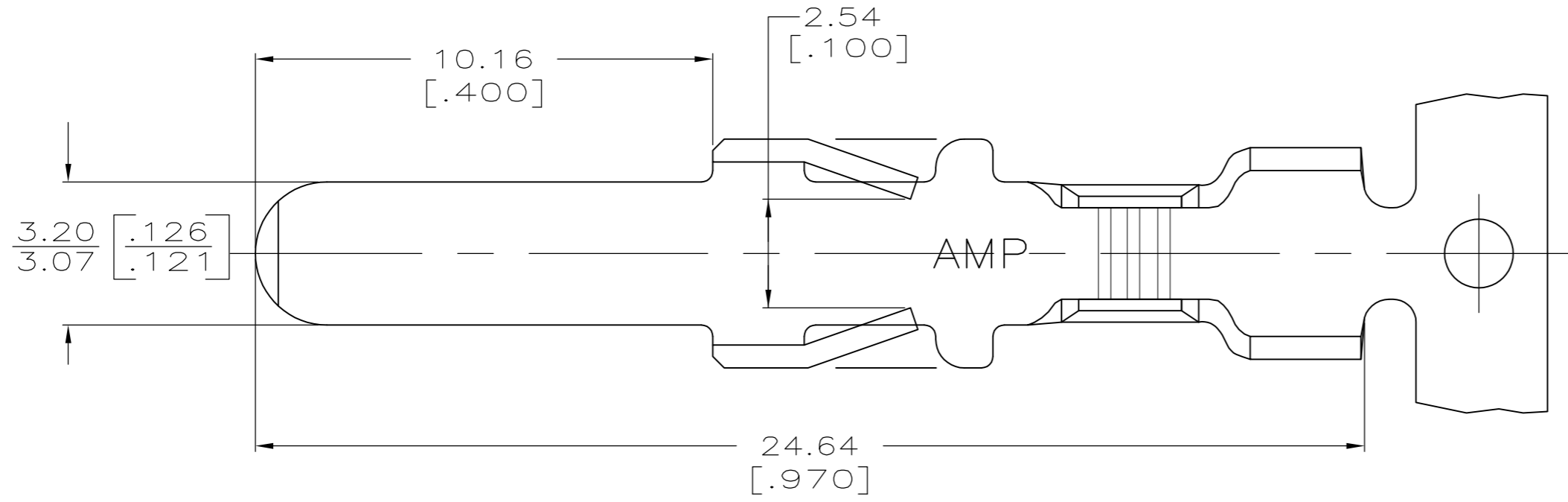


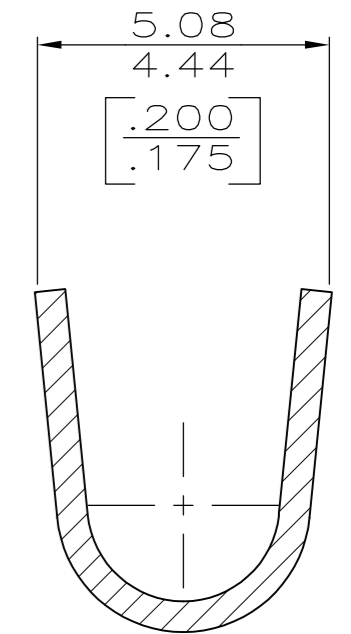
THIS DRAWING IS UNPUBLISHED. RELEASED FOR PUBLICATION  
 © COPYRIGHT - By - ALL RIGHTS RESERVED.

LOC	DIST	REVISIONS					
		P	LTR	DESCRIPTION	DATE	DWN	APVD
AF	50	D1		REVISED PER ECR-12-019658	23NOV12	KH	GJ

- 1 CONTINUOUS STRIP ON REEL.
- 2 INSULATION DIAMETER 3.12 [.123] MAXIMUM
- 3 WIRE SIZE 0.5 - 1.3 mm<sup>2</sup> [#20 - #16 AWG]



SECTION A-A



SECTION B-B

1217076-1  
 PART NO.

THIS DRAWING IS A CONTROLLED DOCUMENT.		DWN PHILLIP M. FORTNEY 13/MAR/98	<b>TE</b> TE Connectivity	
DIMENSIONS: mm [INCHES]		CHK JEFF R. RUTH 13/MAR/98		
TOLERANCES UNLESS OTHERWISE SPECIFIED:		APVD D. BRATINA 13/MAR/98	NAME CONTACT, 3.18 [.125] BLADE,	
0 PLC ± - 1 PLC ± - 2 PLC ± 0.25 [.010] 3 PLC ± - 4 PLC ± - ANGLES ± 1°		PRODUCT SPEC -	SIZE A2	
MATERIAL 4M BRASS		FINISH POST PLATED TIN	CAGE CODE 00779	DRAWING NO. 1217076
CUSTOMER DRAWING		WEIGHT -	SCALE 8:1	SHEET 1 OF 1
		RESTRICTED TO -	REV D1	

单击下面可查看定价，库存，交付和生命周期等信息

[>>TE Connectivity\(泰科\)](#)