

REVISIONS					
P	LTR	DESCRIPTION	DATE	DMN	APVD
B		REVISED PER ECO-08-023819	25SEP08	HMR	MS
C		REVISED PER ECO-17-001607	16MAY2017	RK	PO

SPECIFICATIONS

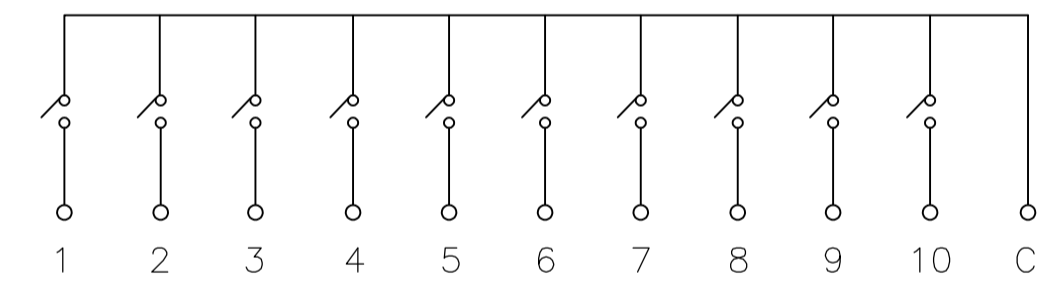
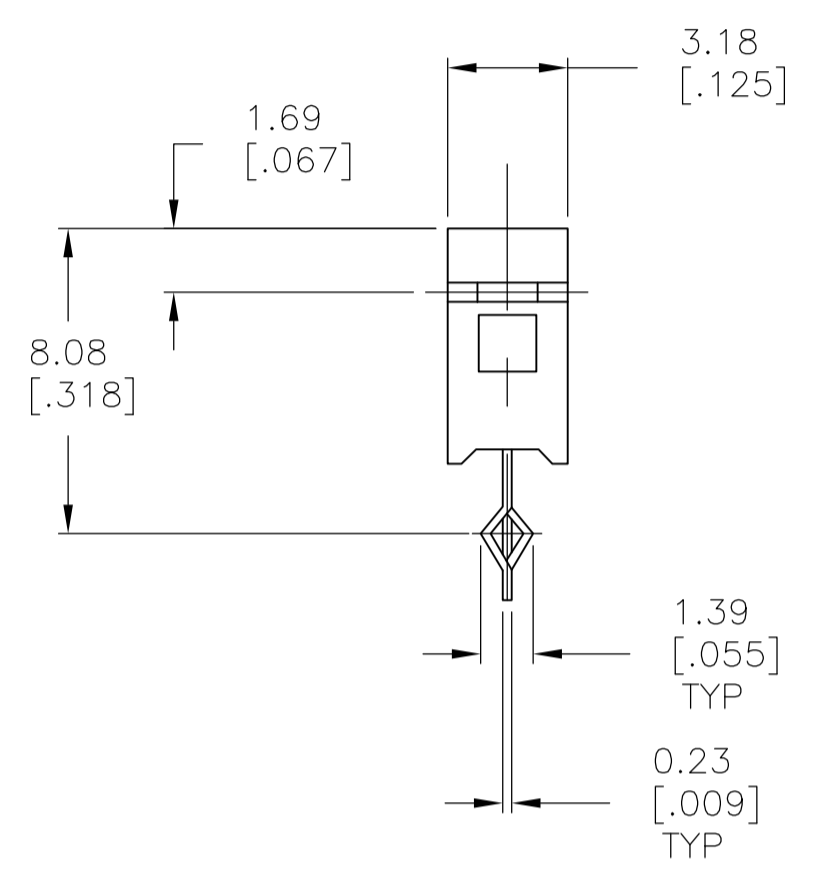
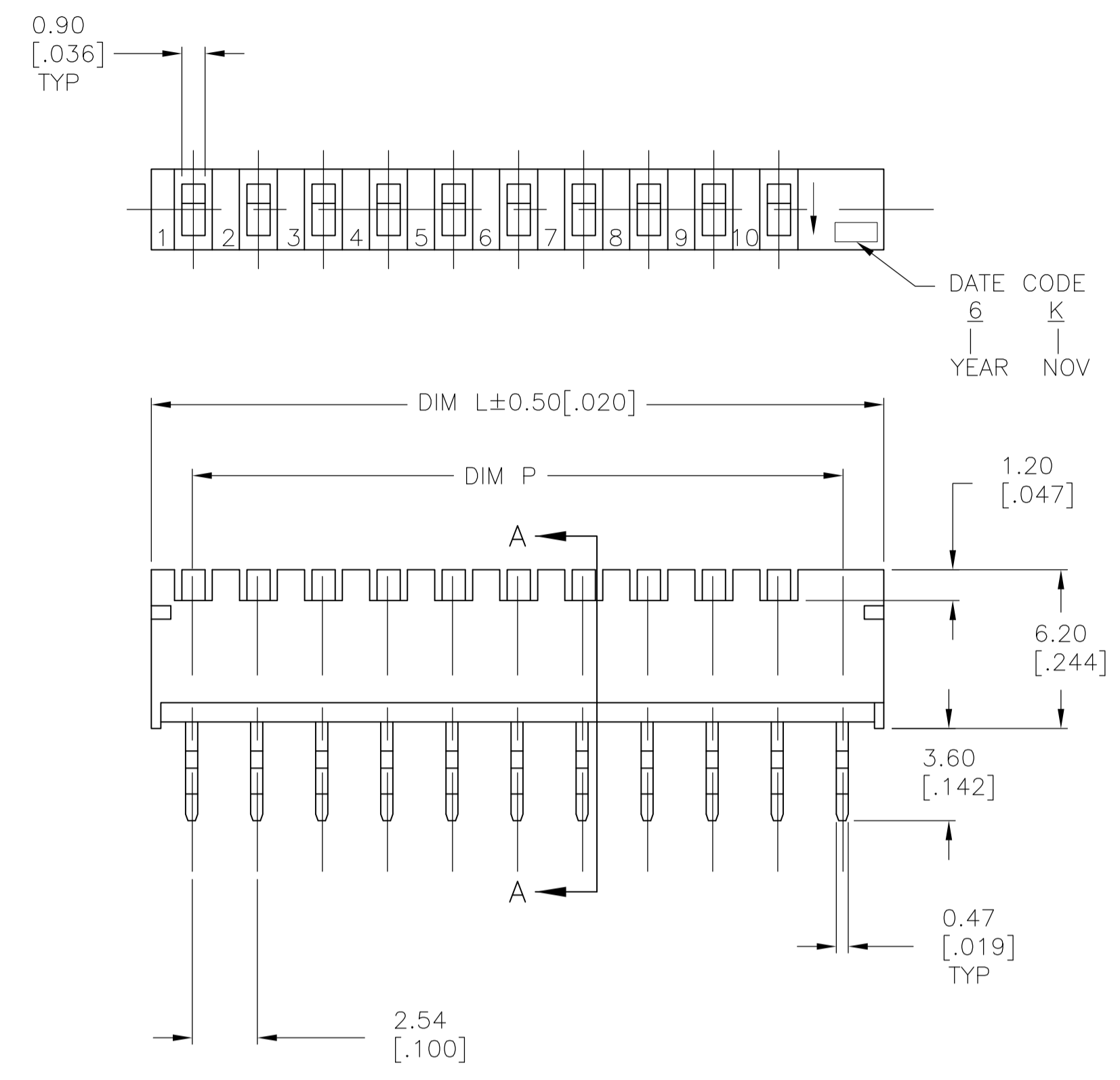
**MATERIALS:**  
 CASE, PPS UL94V-0, BLACK  
 COVER, PBT UL94V-0, BLACK  
 ACTUATOR, 46 NYLON UL94V-0, WHITE  
 TERMINAL/FIXED CONTACT-COPPER ALLOY- GOLD OVER NICKEL PLATE  
 MOVING CONTACT-COPPER ALLOY- GOLD FLASH OVER NICKEL PLATE

**ELECTRICAL:**  
 RATING- 1a max non-switching  
 0.1µA (1mV) min switching  
 DC 5V 10mA  
 INITIAL CONTACT RESISTANCE- 50milliohm max. (300 milliohms after test)  
 INSULATION RESISTANCE- 100Megohms min. at 100V DC  
 DIELECTRIC STRENGTH- 300V RMS@SEA LEVEL  
 LIFE EXPECTANCY- 1,000 CYCLES

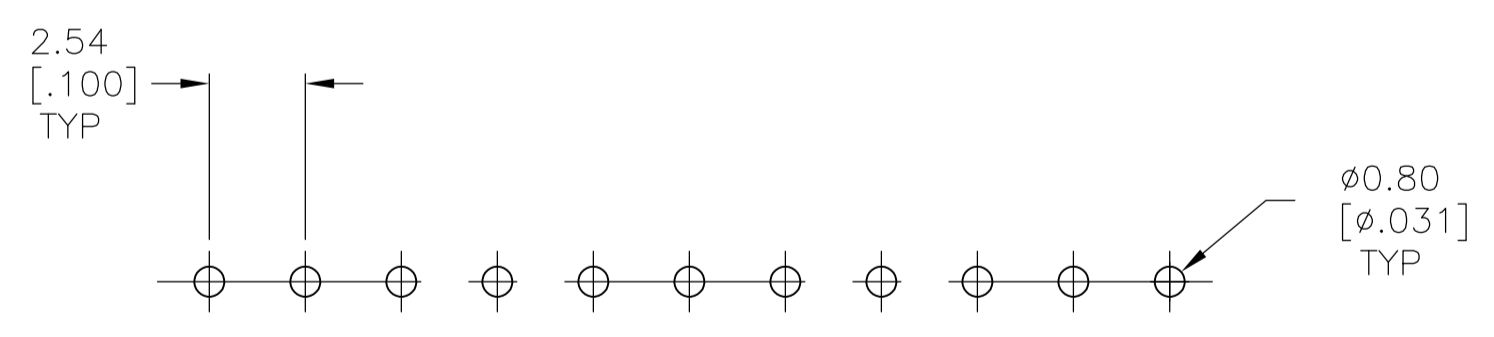
**MECHANICAL:**  
 ACTUATION FORCE- 2.45 +/-1.47N (245 +/-147 GF)  
 TRAVEL- 33°

**ENVIRONMENTAL:**  
 OPERATING TEMPERATURE- -30 TO +85 DEGREES C  
 STORAGE TEMPERATURE- -45 TO +100 DEGREES C  
 RESISTANCE TO SOLDER HEAT- 265 +/--3°C for 8 +/-2 seconds  
 SOLDERABILITY PER JIS-C-0050 & JIS-C-0053

- 1 ALL MATERIALS AND FINISHES SHALL COMPLY WITH EU DIRECTIVE 2002/95/EC OF 27JAN2003 (ROHS)
- 2 SWITCH SUPPLIED IN THE "OFF" POSITION AND SHOULD BE SOLDERED IN THE "OFF" POSITION.



CIRCUIT DIAGRAM



P.C. LAYOUT

TERMINALS	DIM P	DIM L	T&B P/N	PART NUMBER
1, 2, 10 & C	25.40 (1.000)	28.60 (1.126)	STV10	1977104-5
1, 2, 8, & C	20.32 (.800)	23.52 (.926)	STV08	1977104-4
1, 2, 6 & C	15.24 (.600)	18.44 (.726)	STV06	1977104-3
ALL	10.16 (.400)	13.36 (.526)	STV04	1977104-2
ALL	5.08 (.200)	8.28 (.326)	STV02	1977104-1
KINKED TERMINALS	DIM P	DIM L	T&B P/N	PART NUMBER

THIS DRAWING IS A CONTROLLED DOCUMENT. **STE** TE Connectivity

DIMENSIONS: mm [INCHES]	TOLERANCES UNLESS OTHERWISE SPECIFIED:	DIN M. BINNER	16MAY07
0 PLC ± -	1 PLC ± -	CHK: M. S. SARVER	
2 PLC ± ± 0.30 [0.012]	3 PLC ± -	APVD: -	
4 PLC ± -	ANGLES ± -	NAME: -	
MATERIAL: SEE SPECIFICATIONS	FINISH: -	PRODUCT SPEC: -	APPLICATION SPEC: -
		SIZE: A1	CAGE CODE: 00779
		WEIGHT: -	DRAWING NO: 1977104
		CUSTOMER DRAWING	RESTRICTED TO: -
		SCALE: 5:1	SHEET: 1 of 1
			REV: C

单击下面可查看定价，库存，交付和生命周期等信息

[>>TE Connectivity\(泰科\)](#)