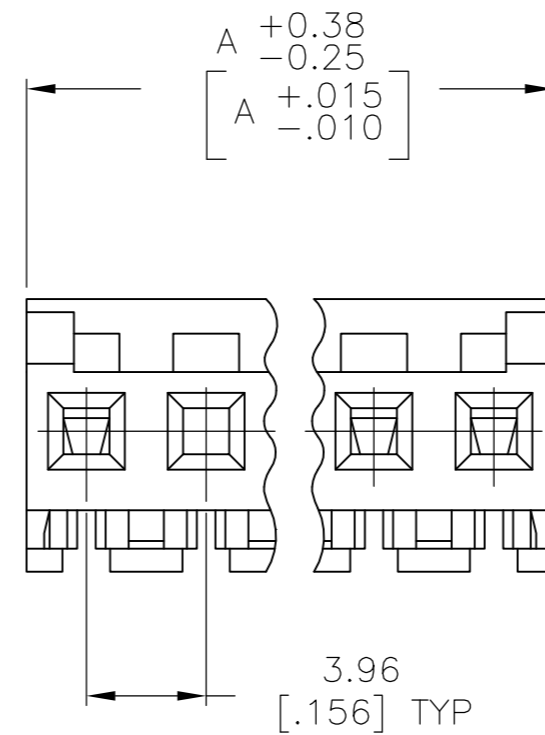
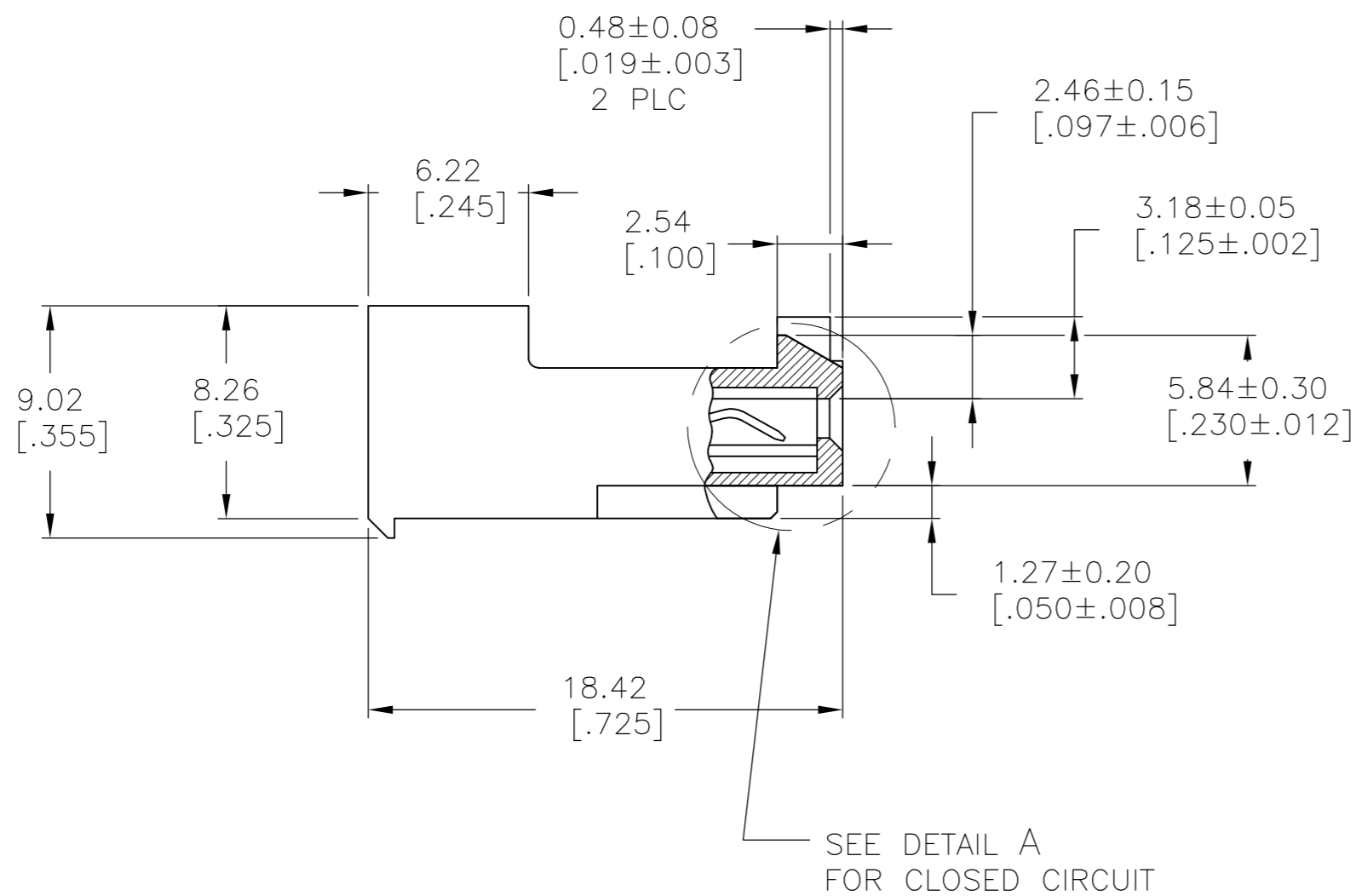
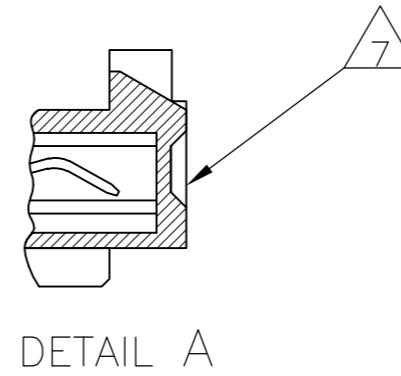
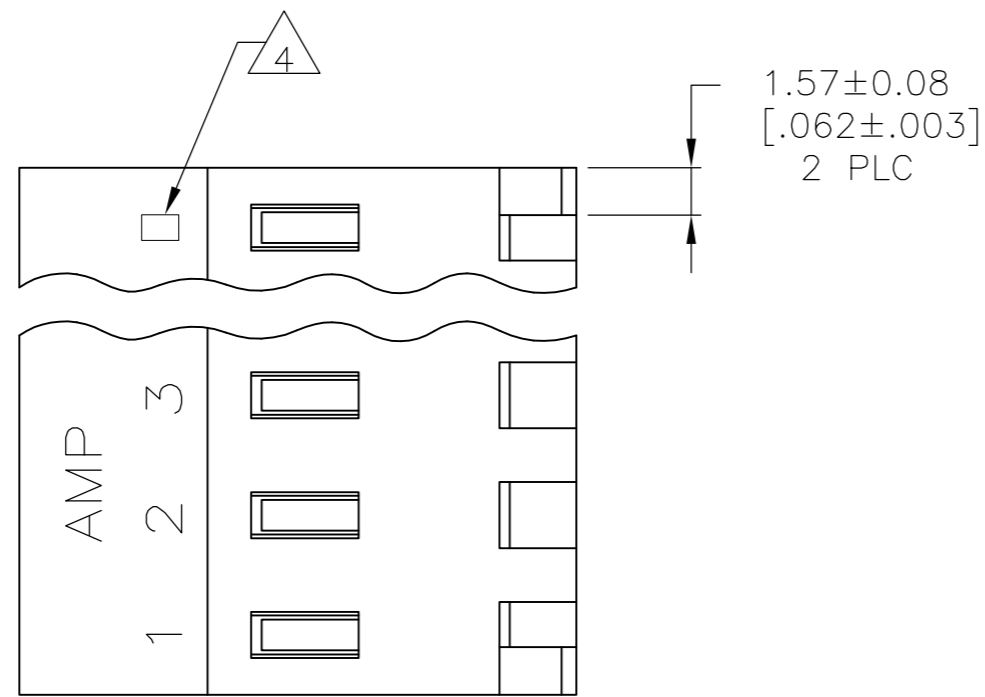


THIS DRAWING IS UNPUBLISHED. RELEASED FOR PUBLICATION
 © COPYRIGHT BY TYCO ELECTRONICS CORPORATION. ALL RIGHTS RESERVED.

LOC	DIST	REVISIONS					
CM	00	P	LTR	DESCRIPTION	DATE	DWN	APVD
		R		ECO-07-012896	25JUN07	KW	DB
		R1		REVISED PER ECO-09-021510	12SEP09	KK	AEG



FINISH	DIM A	NO. OF CIRCUITS	PART NO.	
TIN	31.70 [.1248]	8	3-643274-8	
TIN	23.77 [.936]	6	3-643274-6	
TIN	15.85 [.624]	4	3-643274-4	
8 SUPERSEDED	TIN-LEAD	31.70 [.1248]	8	3-643274-8
8 SUPERSEDED	TIN-LEAD	23.77 [.936]	6	3-643274-6
8 SUPERSEDED	TIN-LEAD	15.85 [.624]	4	3-643274-4

1 MATERIAL: CONNECTOR - NYLON UL94V-2 (RED).
 CONTACTS - 0.30[.012] THICK COPPER ALLOY BRIGHT TIN-LEAD
 0.00203[.000080] MIN THICK FOR -2 THRU -28
 - 0.30[.012] THICK COPPER ALLOY MATTE WHISKER
 MITIGATED TIN 0.00203[.000080] MIN THICKNESS
 OVER NICKEL UNDERPLATE FOR -32 THRU -58.

2. CONTACTS ACCEPT 22 AWG WIRE WITH 2.41[.095] MAX INSULATION DIAMETER.

3. CONTACTS MUST ACCEPT 1.14±0.03[.045±.001] POST AND REMAIN LOCKED IN POSITION.

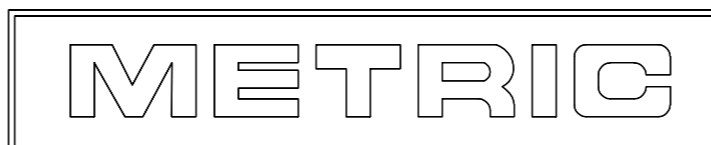
4 IDENTIFICATION NUMBER FOR LAST CIRCUIT MAY NOT APPEAR ON ALL ASSEMBLIES.

5. DIMENSIONS IN BRACKETS ARE IN INCHES.

6. HOUSING FEATURES ARE: CLOSED END WITH LOCKING RAMP AND POLARIZING TAB.

7 DETAIL "A" SHOWS A CIRCUIT MOLDED CLOSED.

8 OBSOLETE PARTS: OBSOLETE CIS STREAMLINING PER D.RENAUD/D.SINISI



THIS DRAWING IS A CONTROLLED DOCUMENT.

DWN B. LEWIS 12FEB91	Tyco Electronics Corporation Harrisburg, PA 17105-3608
CHK R. SWING 12FEB91	
APVD D. CLARK 20FEB91	
NAME MTA-156 CONNECTOR ASSEMBLY, 22 AWG, NO.2 CIRCUIT CLOSED.	
PRODUCT SPEC 108-1051	
APPLICATION SPEC 114-1020	
MATERIAL 1	FINISH 1
WEIGHT -	
CUSTOMER DRAWING	

SIZE A2	CAGE CODE 00779	DRAWING NO C-643274	RESTRICTED TO -
SCALE 4:1	SHEET 1 OF 1	REV R1	

单击下面可查看定价，库存，交付和生命周期等信息

[>>TE Connectivity\(泰科\)](#)