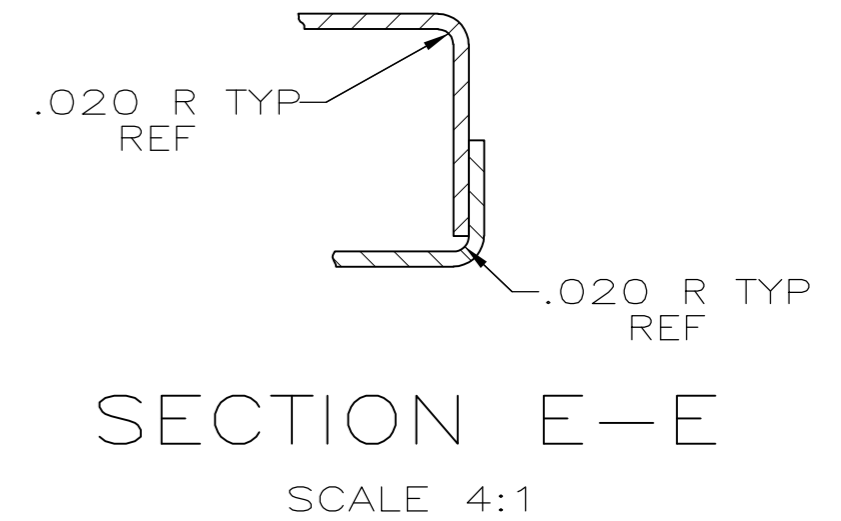
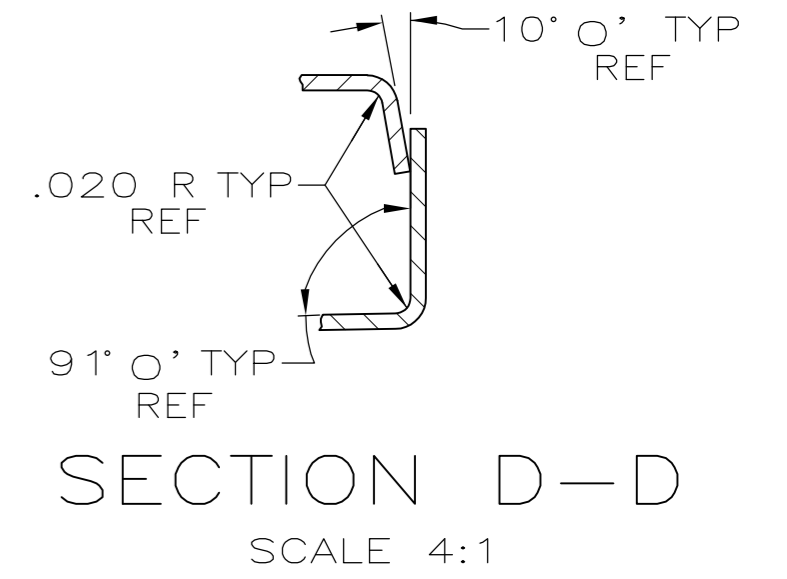
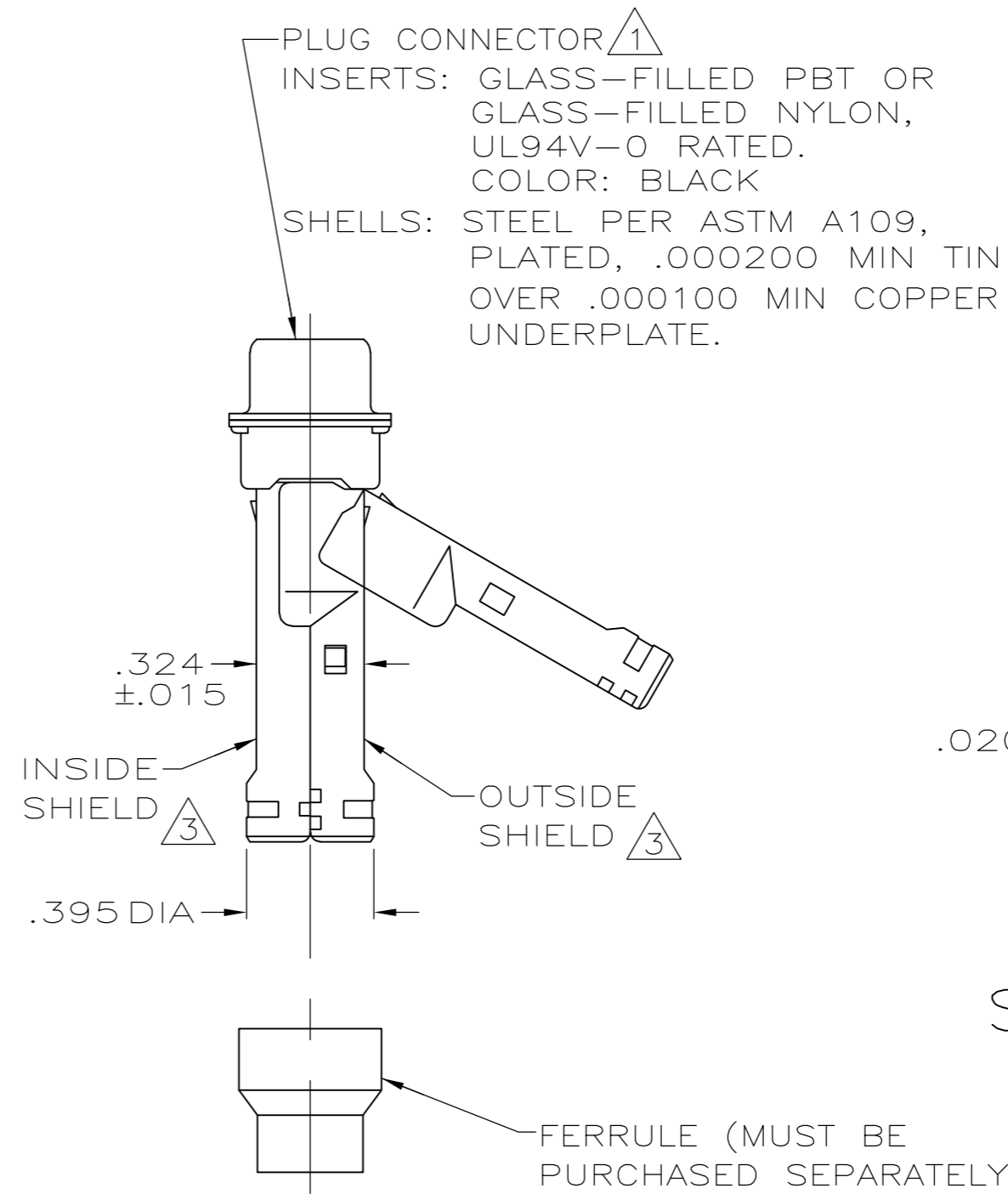
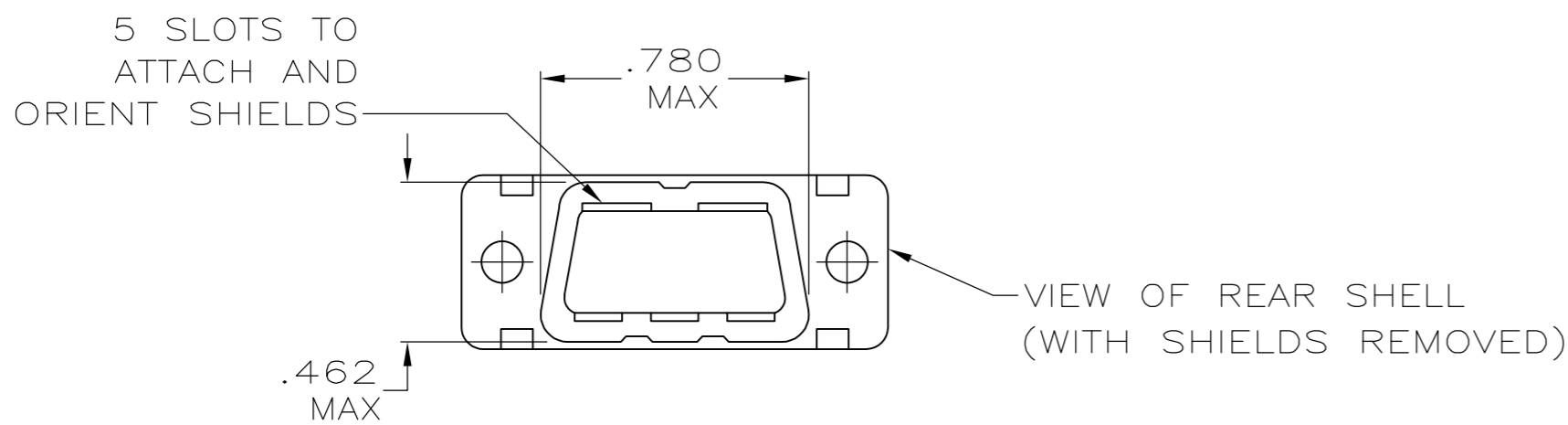
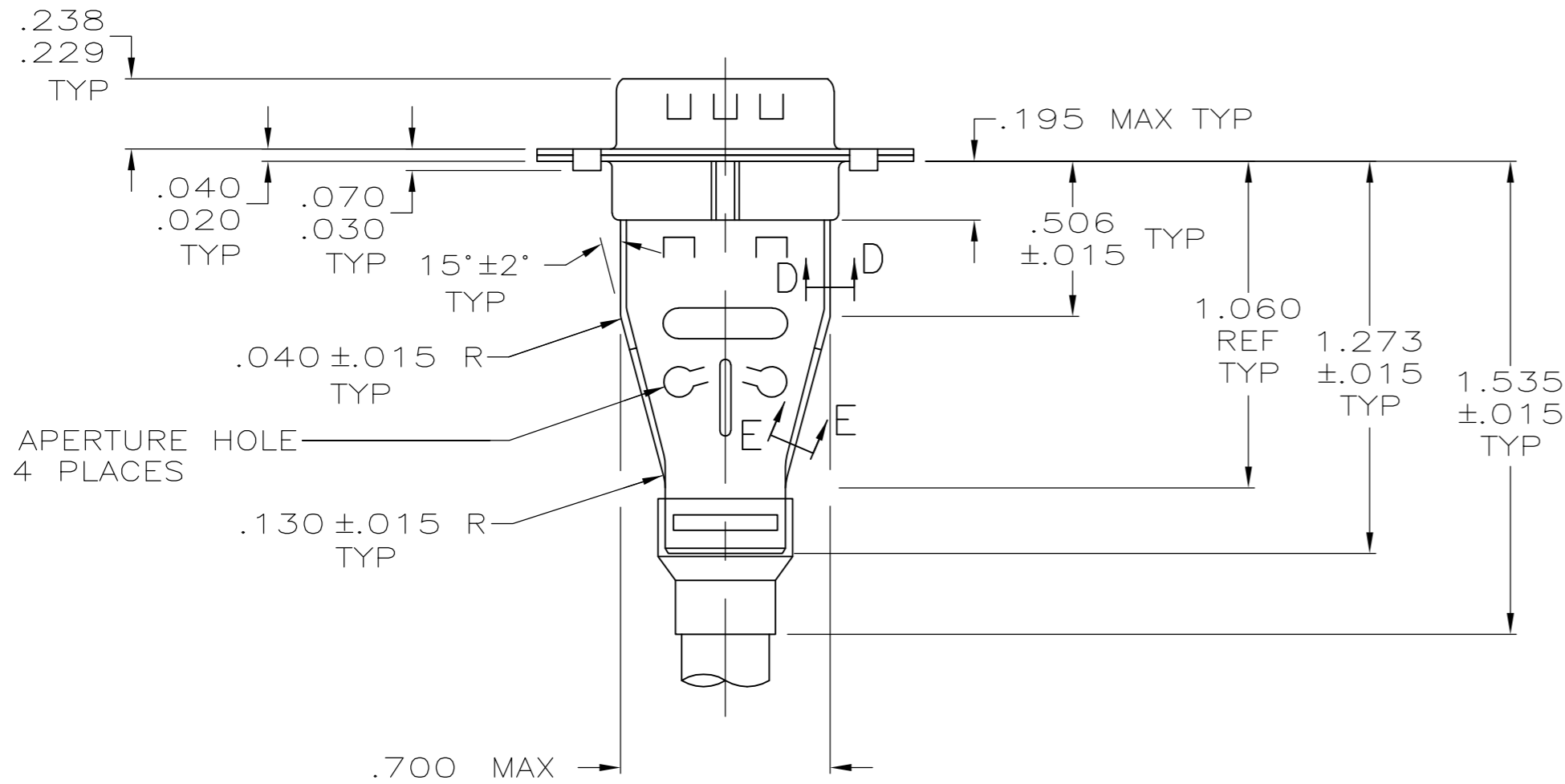
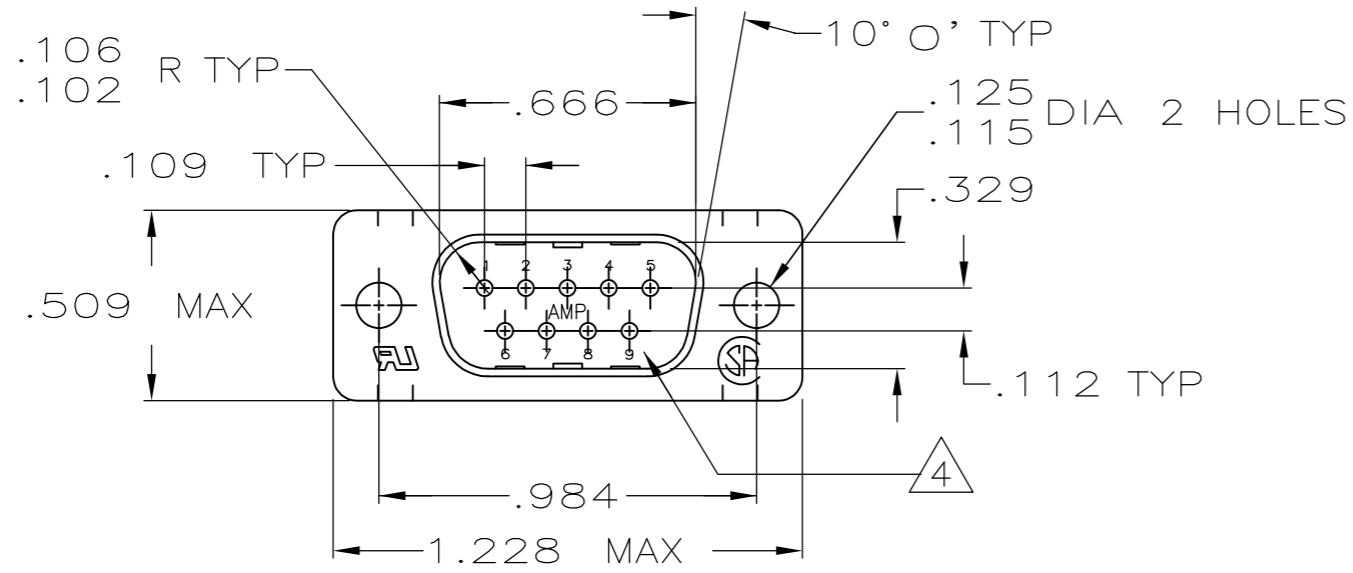


THIS DRAWING IS UNPUBLISHED. RELEASED FOR PUBLICATION
 © COPYRIGHT - By - ALL RIGHTS RESERVED.

REVISIONS				
P	LTR	DESCRIPTION	DATE	APVD
S		REVISED PER ECO-17-003325	20APR2017	AP DG



- ⚠️ PLUG ACCEPTS SIZE 20 PIN CONTACTS (CONTACTS MUST BE ORDERED SEPARATELY).
- 2. ALL PARTS SHIPPED UNASSEMBLED, EACH PART INDIVIDUALLY BULK PACKED.
- ⚠️ SHIELDS: MATERIAL-.020 THICK STAINLESS STEEL.
- ⚠️ RAISED CAVITY IDENTIFICATION AND AMP TRADEMARK.

1658645-1
PART NUMBER

THIS DRAWING IS A CONTROLLED DOCUMENT.		DWN J.REITZEL 26AUG03		
DIMENSIONS: INCHES		CHK S.BOLASH 26AUG03		
TOLERANCES UNLESS OTHERWISE SPECIFIED:		APVD M.WALMSLEY 26AUG03	NAME	
0 PLC ± -		PRODUCT SPEC	KIT, PLUG, SHIELDING HARDWARE, SIZE 1, 9 POSITION, AMPLIMITE™ HDP-20	
1 PLC ± -		APPLICATION SPEC	SIZE	CAGE CODE
2 PLC ± -		108-40030	A2	00779
3 PLC ± .005		114-40030	DRAWING NO	RESTRICTED TO
4 PLC ± -		0.000000	C=1658645	-
ANGLES ± 0° 30'		WEIGHT	SCALE	SHEET
MATERIAL SEE CALL OUT ⚠️		CUSTOMER DRAWING	2:1	1 of 1
FINISH SEE CALL OUT ⚠️			REV	S

单击下面可查看定价，库存，交付和生命周期等信息

[>>TE Connectivity\(泰科\)](#)

[>>点击查看相关商品](#)