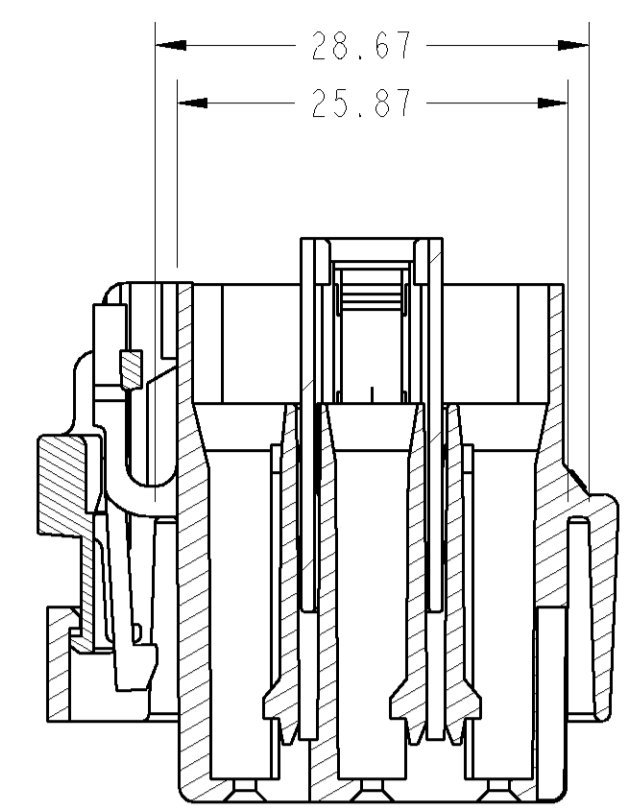
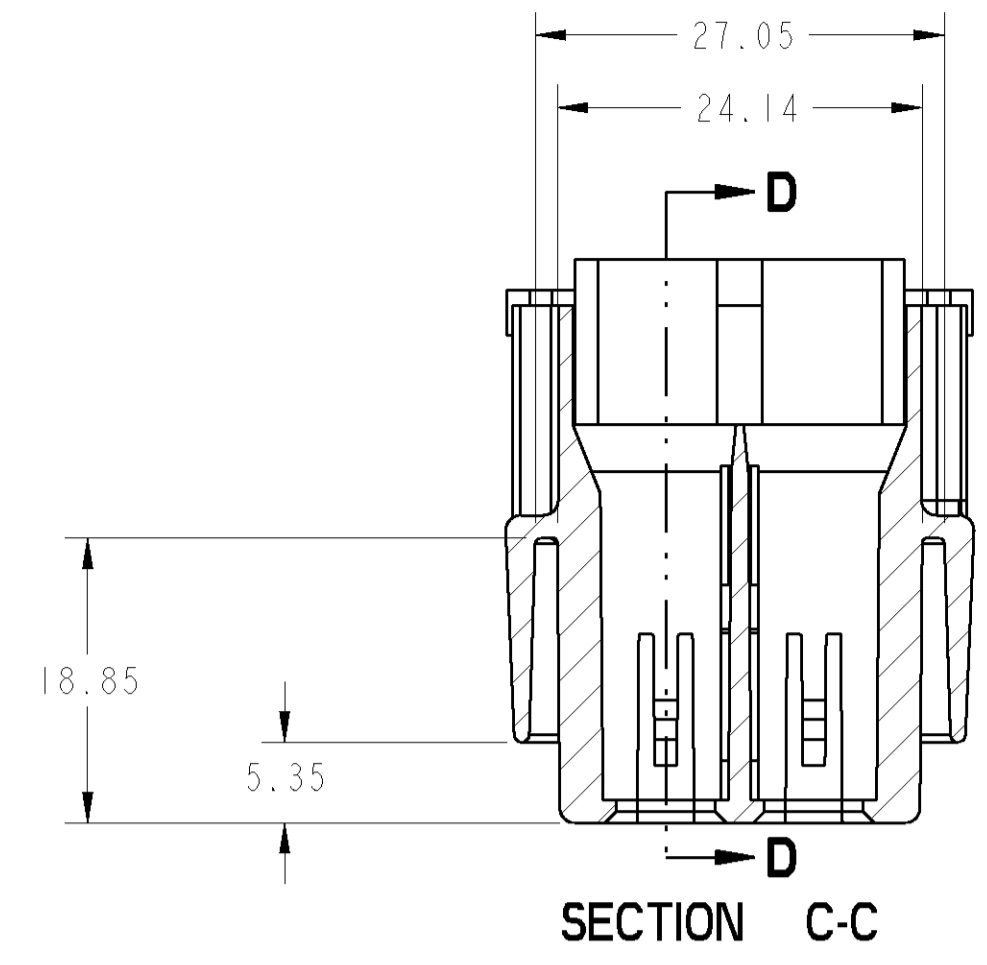


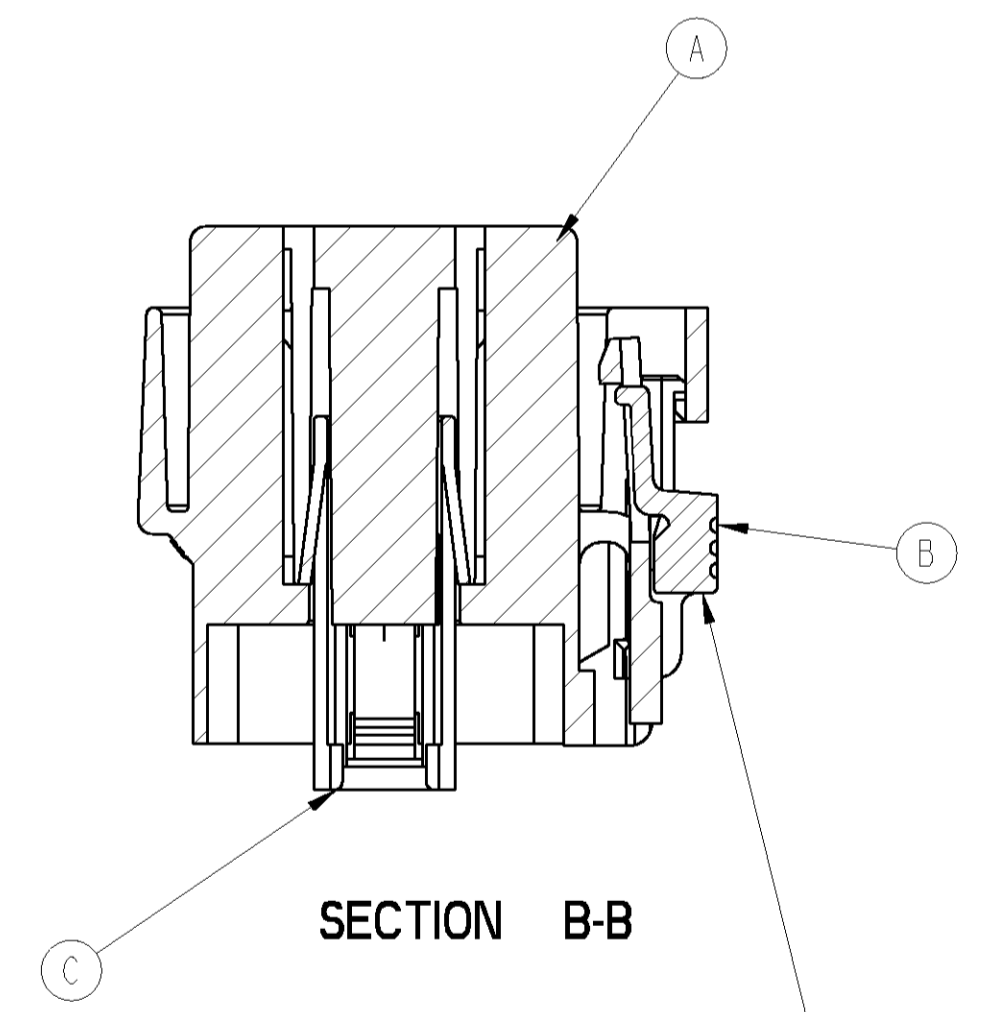
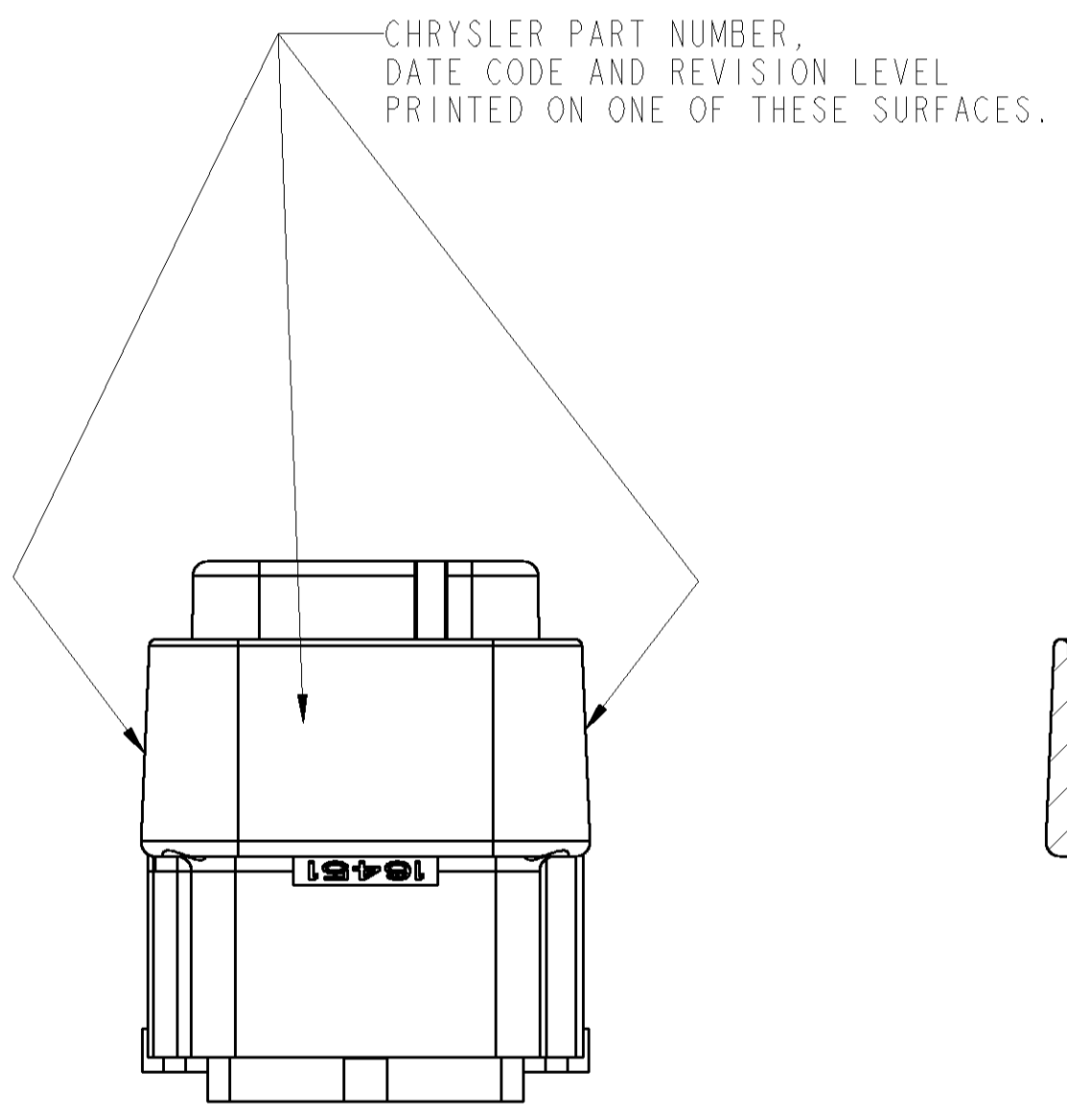
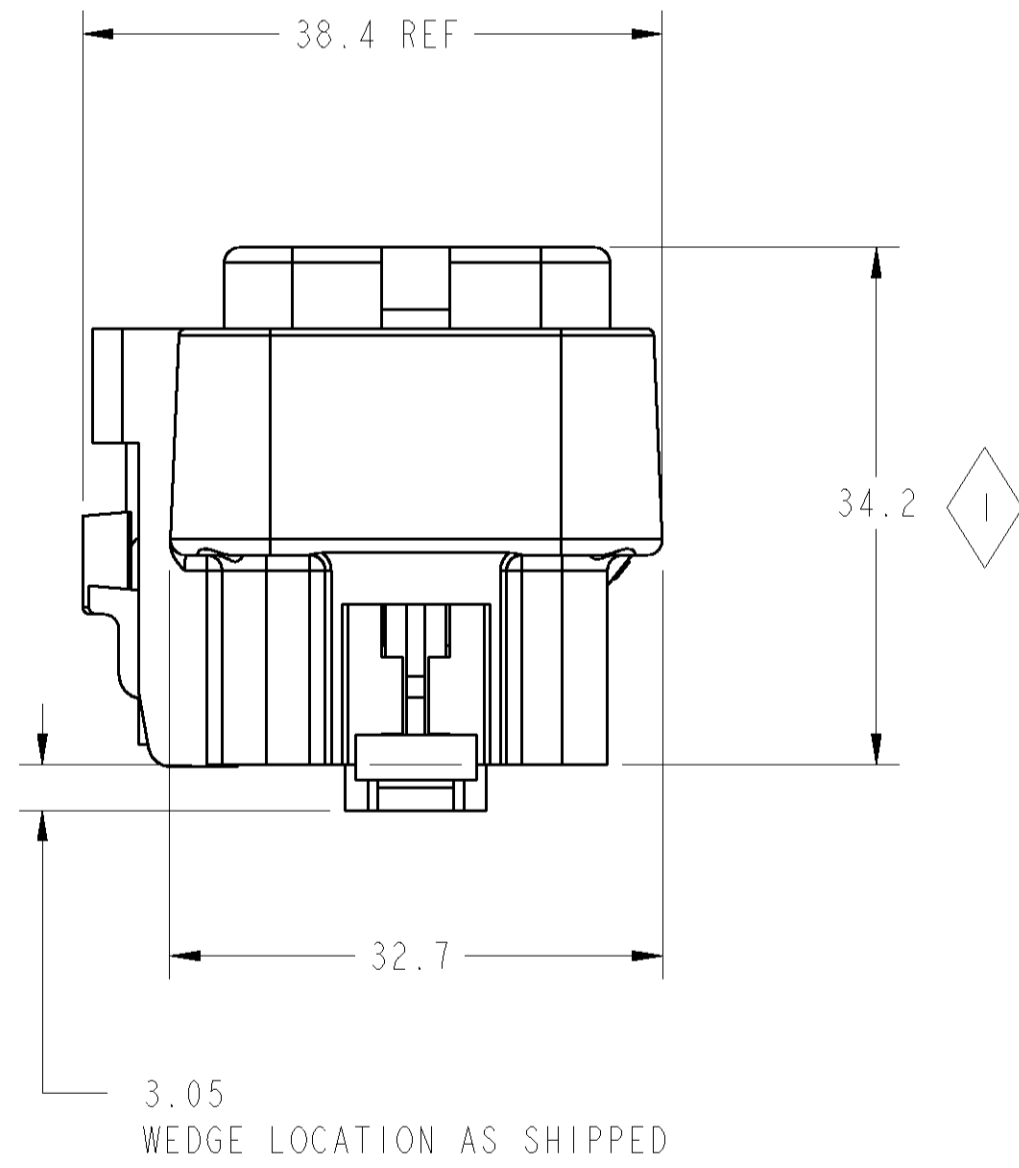
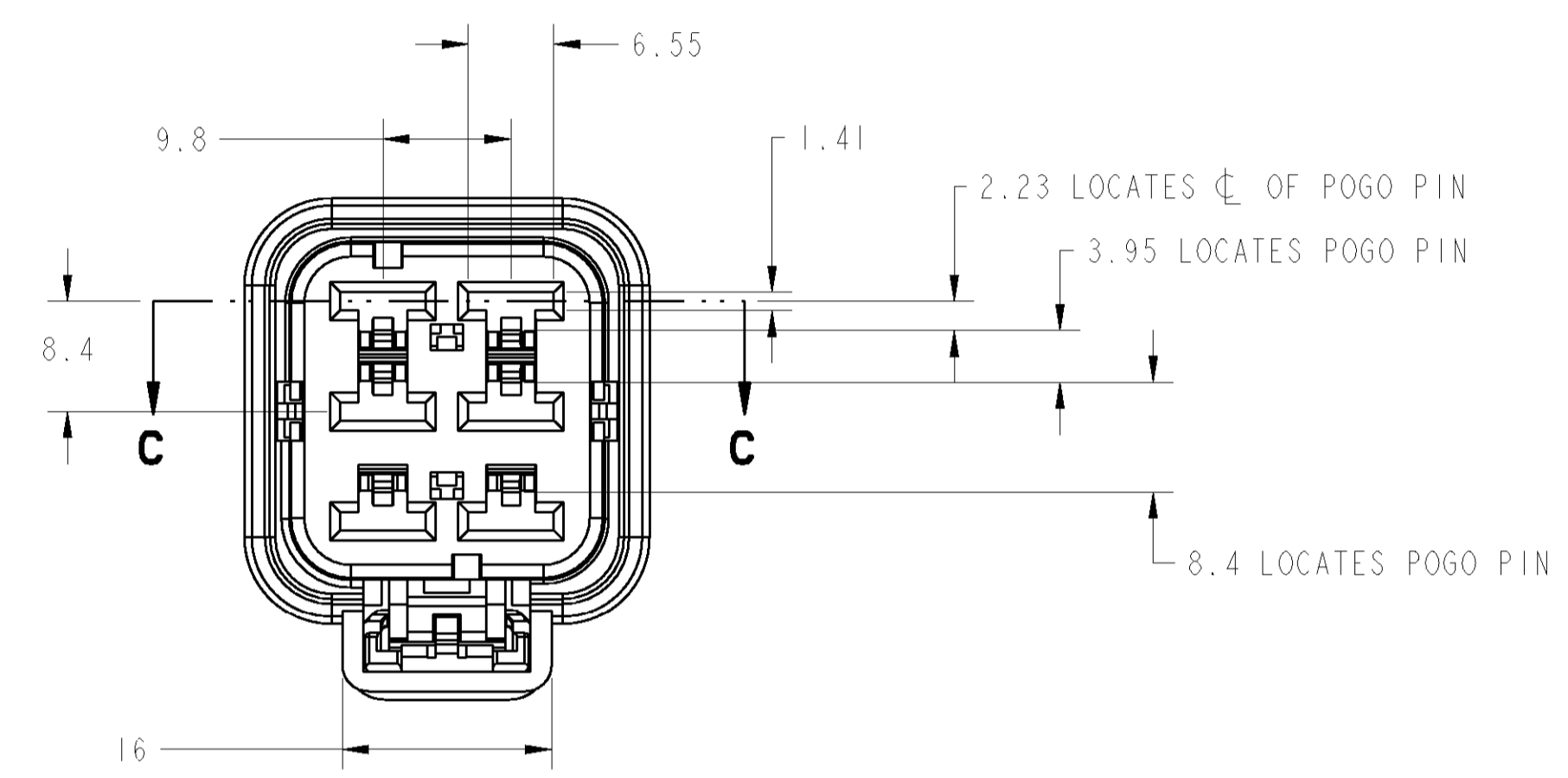
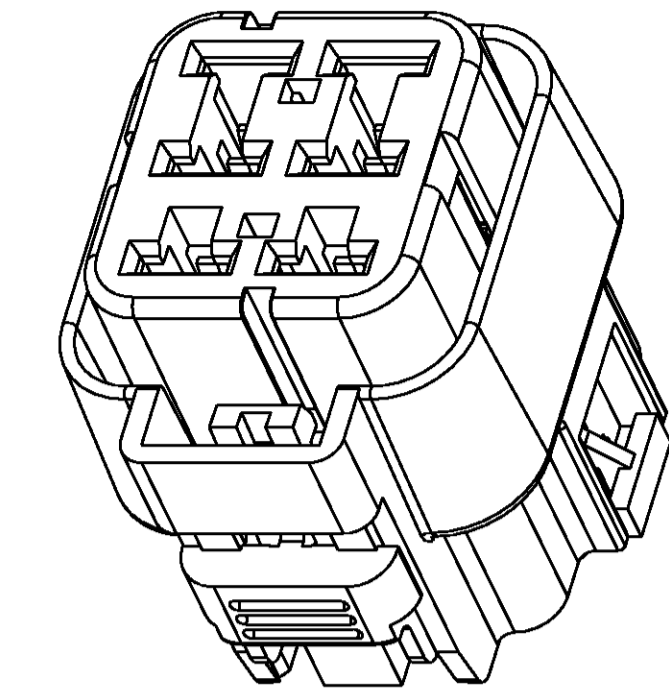
LOC		DIST		REVISIONS			
P	LTR	DESCRIPTION	DATE	DWN	APVD		
A		INITIAL	01JUN2006	RAH	RAH		



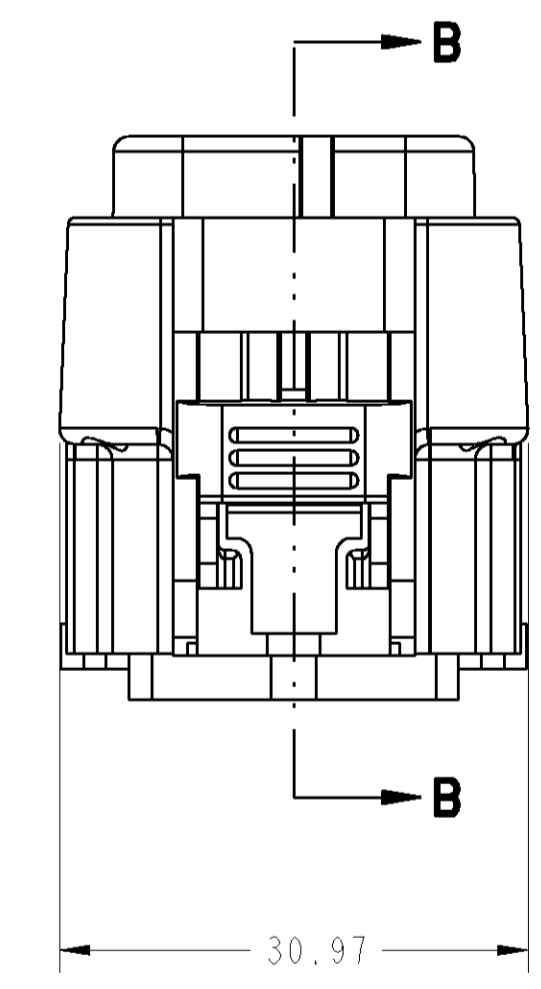
SECTION D-D



SECTION C-C

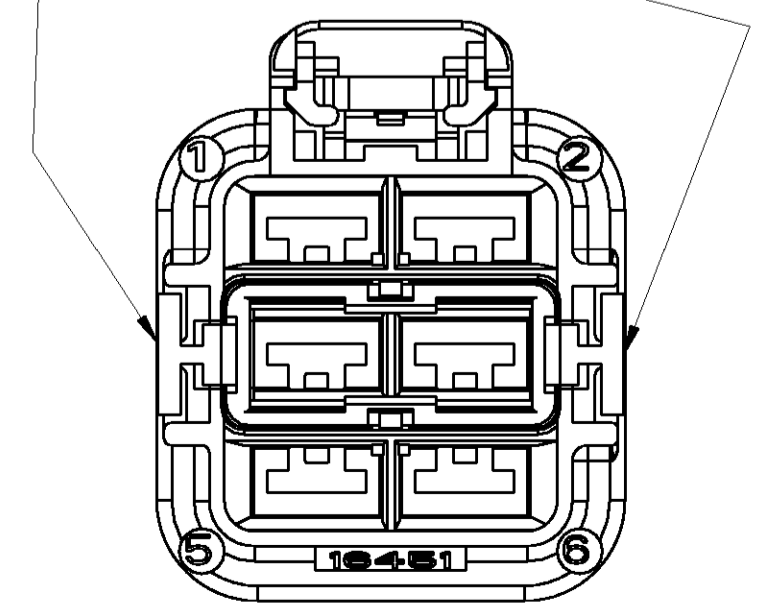


SECTION B-B



SEAT CPA AFTER CONNECTOR HAS BEEN ASSEMBLED TO HEADER

PRESS HERE AND INSERT WEDGE TO LOCKED POSITION AFTER TERMINALS ARE IN PLACE



ITEM	AMOUNT REQUIRED	DESCRIPTION
A	1	HOUSING
B	1	CPA
C	1	WEDGE

PRINT CONTROLLED BY DAIMLERCHRYSLER  
 CHANGES MUST BE SUBMITTED TO  
 DAIMLERCHRYSLER ENGINEERING FOR APPROVAL  
 FOR DAIMLERCHRYSLER CATIA COMMENT  
 PAGE INFORMATION, SEE SHEET 2

DIMENSIONS:		TOLERANCES UNLESS OTHERWISE SPECIFIED:		OWN	01JUN2006	<b>tyco</b> Electronics	Tyco Electronics Harrisburg, PA 17105-3608
mm		0 PLC ±0.3 1 PLC ±0.3 2 PLC ±0.3 3 PLC ±0.3 4 PLC ±0.3 ANGLES ±1		CHK	01JUN2006		
MATERIAL		FINISH		APVD	01JUN2006	NAME	
SEE NOTES PAGE 2		SEE NOTES		PRODUCT SPEC		CONNECTOR ASSY-BODY CONTROL MODULE (D)	
				APPLICATION SPEC		SIZE	
				WEIGHT		CAGE CODE	
				CUSTOMER DRAWING		DRAWING NO	
				SCALE		RESTRICTED TO	
				NONE		A 00779 C=5-1437866-4	
				SHEET		REV	
				1		A	

LOC	DIST	REVISIONS					
		P	LTR	DESCRIPTION	DATE	DWN	APVD
HK	00	-	-	SEE SHEET 1	-	-	-

PART NO: 04868084AA MODEL: 1 OF 1  
 TITLE: CONNECTOR ASSY - BODY CONTROL MODULE (D)  
 LAST CHANGE: C STANDARD UNIT: MM  
 YR-MOD: 2001/RS DESIGN RESP: TYCO  
 UPG CODE: 79E0ID DEPT NO: 9730  
 VSC: 36510 DEPT NAME: NS/RS POWER DIST. SYSTEMS  
 DESIGNER: K.DEKOSKI CHECKER: K.DEKOSKI  
 ENGINEER: D. LESCAMELA SENIOR ENG.: S. MASON  
 PHONE NO.: 248-576-4392 DATE STARTED: 4-28-98

REVISION RECORD

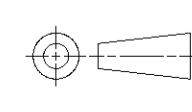
AUTHORITY ! DSNR! ENG ! CHK ! SUPV! GDT ! PLP ! WELD! DATE  
 !CHG!ZONE!SHT!REVISION RECORD  
 ! DS ! KD ! KD ! RB ! ! ! ! 01/28/99  
 ! A ! ! ! PRODUCTION RELEASE)  
 AUTHORITY ! DSNR! ENG ! CHK ! SUPV! GDT ! PLP ! WELD! DATE  
 !CHG!ZONE!SHT!REVISION RECORD  
 00218-M01 ! DS ! KD ! KD ! RB ! ! ! ! 3/02/00  
 ! B ! ! ! REVISED CPA  
 AUTHORITY ! DSNR! ENG ! CHK ! SUPV! GDT ! PLP ! WELD! DATE  
 !CHG!ZONE!SHT!REVISION RECORD  
 10403-M07 ! KD ! KD ! KD ! RB ! ! ! ! 4/19/01  
 ! C ! ! ! REVISED 3.05 SHIPPED LOCATION DIMENSION

STANDARDS

ITEM	NUMBER	NAME	APVD
1	PS-9227	CAD/CAM DATA EXCHANGE POLICY	!
2	PS-4480 <S>	IDENTIFICATION OF PARTS	!
3	PS-7000	(ODD BOX ITEMS)	!
4	PS-8500	GENERAL PERFORMANCE REQUIREMENTS	!
5	PS-9611	GD&T PRACTICES	!
6	PS-7300 <D>	QUALITY ASSURANCE DIAMONDS	!
7	PF-9600	USCAR PF-1 EQUIVALENT	!
8	MS-DB469	MATERIAL SPECIFICATION	!

GENERAL ENGINEERING NOTES

- ALL DIMENSIONS TO SHARP CORNERS WITH A RADIUS ARE TAKEN FROM THEORETICAL SHARP CORNERS UNLESS EXPLICITLY SHOWN OTHERWISE.
- WILL ACCEPT TERMINAL CHRYSLER P/N 4801089 AND 04801136AA

<small>THE DIMENSIONS TO SHARP CORNERS WITH A RADIUS ARE TAKEN FROM THEORETICAL SHARP CORNERS UNLESS EXPLICITLY SHOWN OTHERWISE.</small> <small>THIS DRAWING IS UNPUBLISHED. RELEASED FOR PUBLICATION. ALL RIGHTS RESERVED.</small>		DWN: RAH 01 JUN 2006 ENG: JKM 01 JUN 2006 APVD: JKM 01 JUN 2006	<b>tyco</b> Tyco Electronics Harrisburg, PA 17105-3608
DIMENSIONS: mm 	TOLERANCES UNLESS OTHERWISE SPECIFIED: 0 PLC ±0.3 1 PLC ±0.3 2 PLC ±0.3 3 PLC ±0.3 4 PLC ±0.3 ANGLES ±1	PRODUCT SPEC: SEE NOTES APPLICATION SPEC: SEE NOTES	NAME: CONNECTOR ASSY - BODY CONTROL MODULE (D) SIZE: A   00779   C=5-1437866-4 RESTRICTED TO: -
MATERIAL: SEE NOTES PAGE 2 FINISH: SEE NOTES	WEIGHT: - SCALE: NONE	CUSTOMER DRAWING	SHEET 2 OF 2 REV A

单击下面可查看定价，库存，交付和生命周期等信息

[>>TE Connectivity\(泰科\)](#)