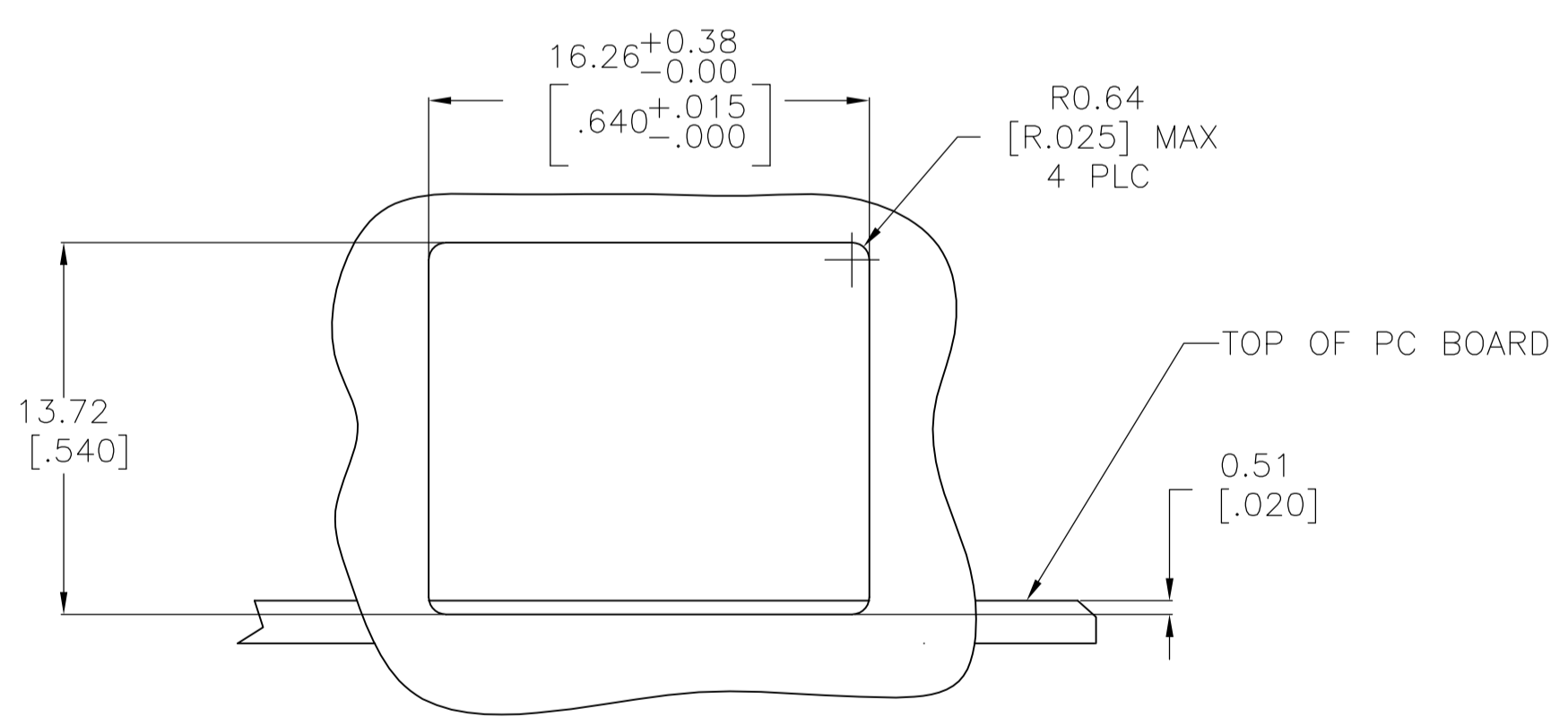
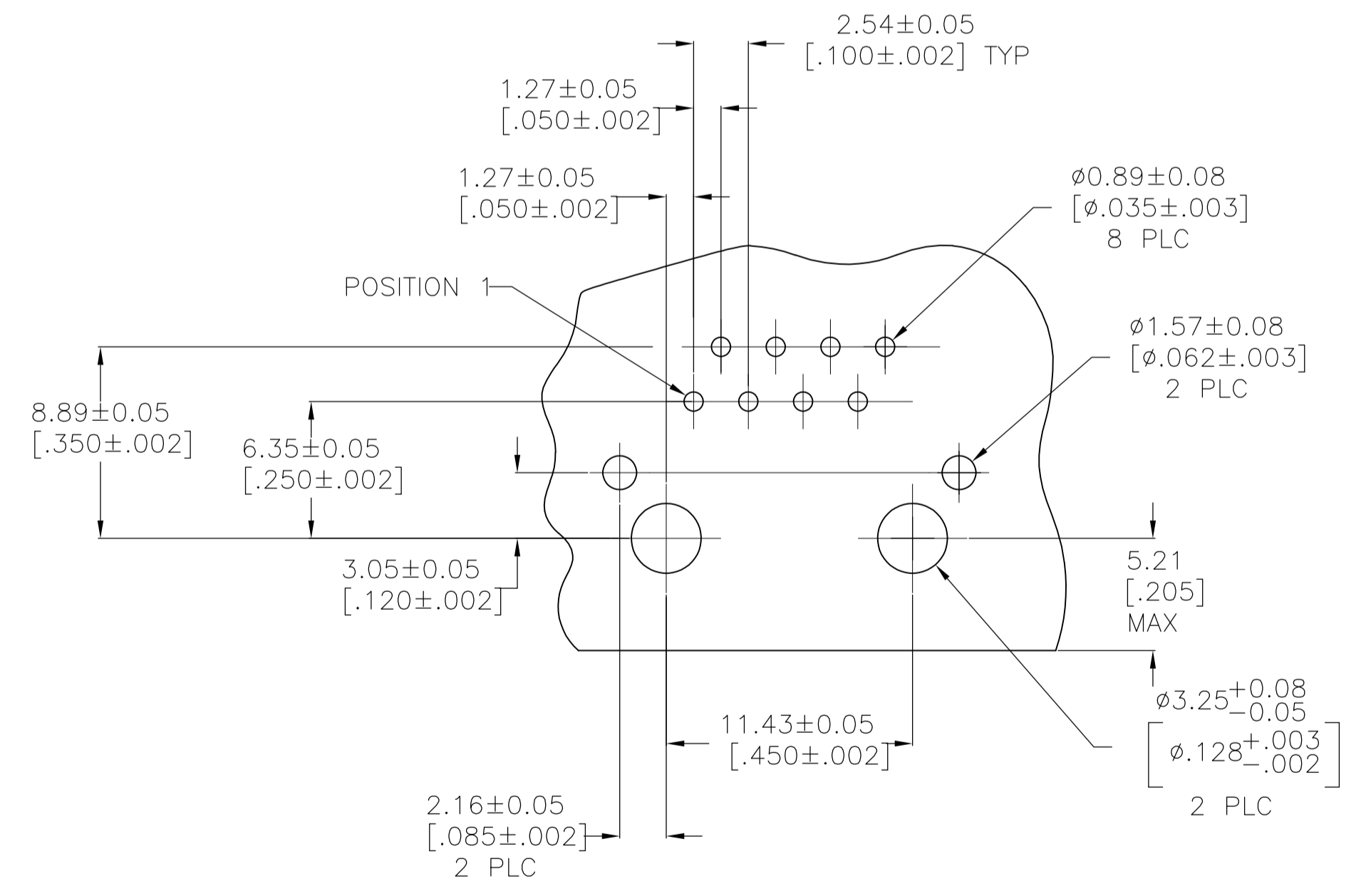
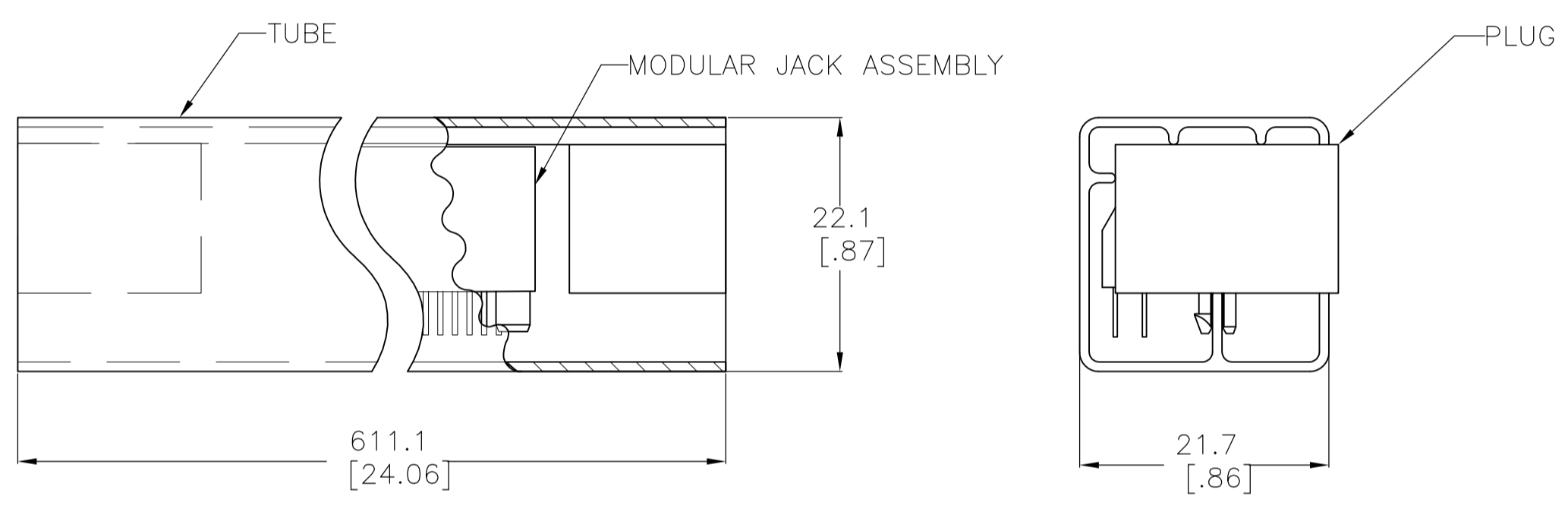
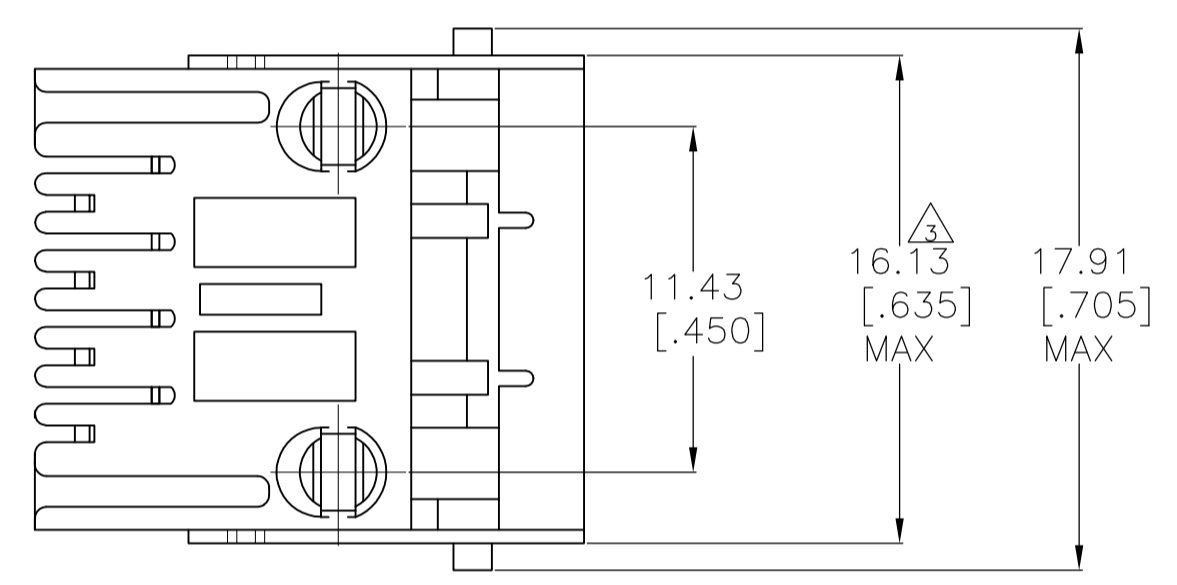


- MATERIAL:
 HOUSING - HTN NYLON MOLDING COMPOUND, 94 VO, COLOR: BLACK
 TERMINAL - 0.36[.014] THICK PHOS-BRONZE
 PLATED WITH 1.27μm[.000050] MINIMUM THICK HARD GOLD IN LOCALIZED GOLD PLATE AREA AND 3.81μm[.000150] MINIMUM THICK MATTE TIN IN SOLDER AREA OVER 1.27μm[.000050] THICK MINIMUM NICKEL UNDERPLATE.
 SHIELD - 0.25[.010] THICK COPPER ALLOY PLATED WITH 3.0μm[.000120] MINIMUM REFLOWED TIN

- CAVITY CONFORMS TO FCC RULES AND REGULATIONS, PART 68, SUBPART F
- DIMENSION MEASURED ALONG FRONT EDGES OF MATING FACE
- PACKAGED 31 ASSEMBLIES PER TUBE WITH BOTH ENDS PLUGGED (SEE DETAIL A)



RECOMMENDED PRINTED CIRCUIT BOARD LAYOUT (COMPONENT SIDE)

RECOMMENDED PANEL CUTOUT

5569115-1
PART NUMBER

THIS DRAWING IS A CONTROLLED DOCUMENT.		DIN L.A.MAYER 04APR2005	Tyco Electronics Corporation Harrisburg, PA 17105-3608	
DIMENSIONS: mm [INCHES]		CHK J.WESTMAN 04APR05	NAME S.FLICKINGER 04APR05	
TOLERANCES UNLESS OTHERWISE SPECIFIED:		PRODUCT SPEC 108-1163		
0 PLC ± -		APPLICATION SPEC 114-2048		
1 PLC ± -		SIZE A1		
2 PLC ± ± 0.13[.005]		CAGE CODE 00779		
3 PLC ± ± -		DRAWING NO 5569115		
4 PLC ± ± -		RESTRICTED TO		
ANGLES ± ± -		CUSTOMER DRAWING		
MATERIAL SEE NOTE 1		SCALE 4:1		
FINISH SEE NOTE 1		SHEET 1 OF 1		
		REV B		

单击下面可查看定价，库存，交付和生命周期等信息

[>>TE Connectivity\(泰科\)](#)