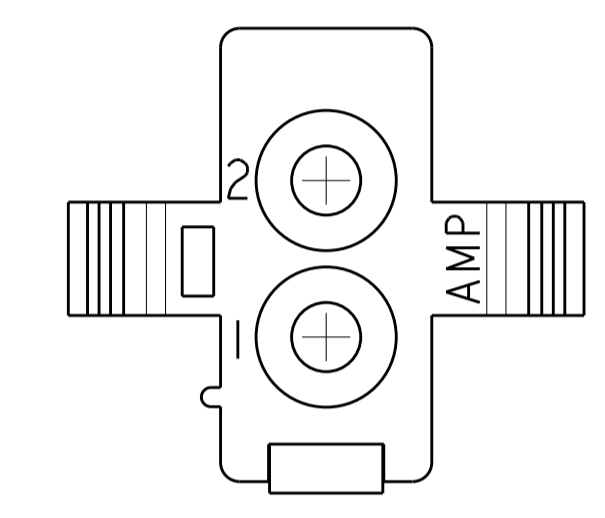
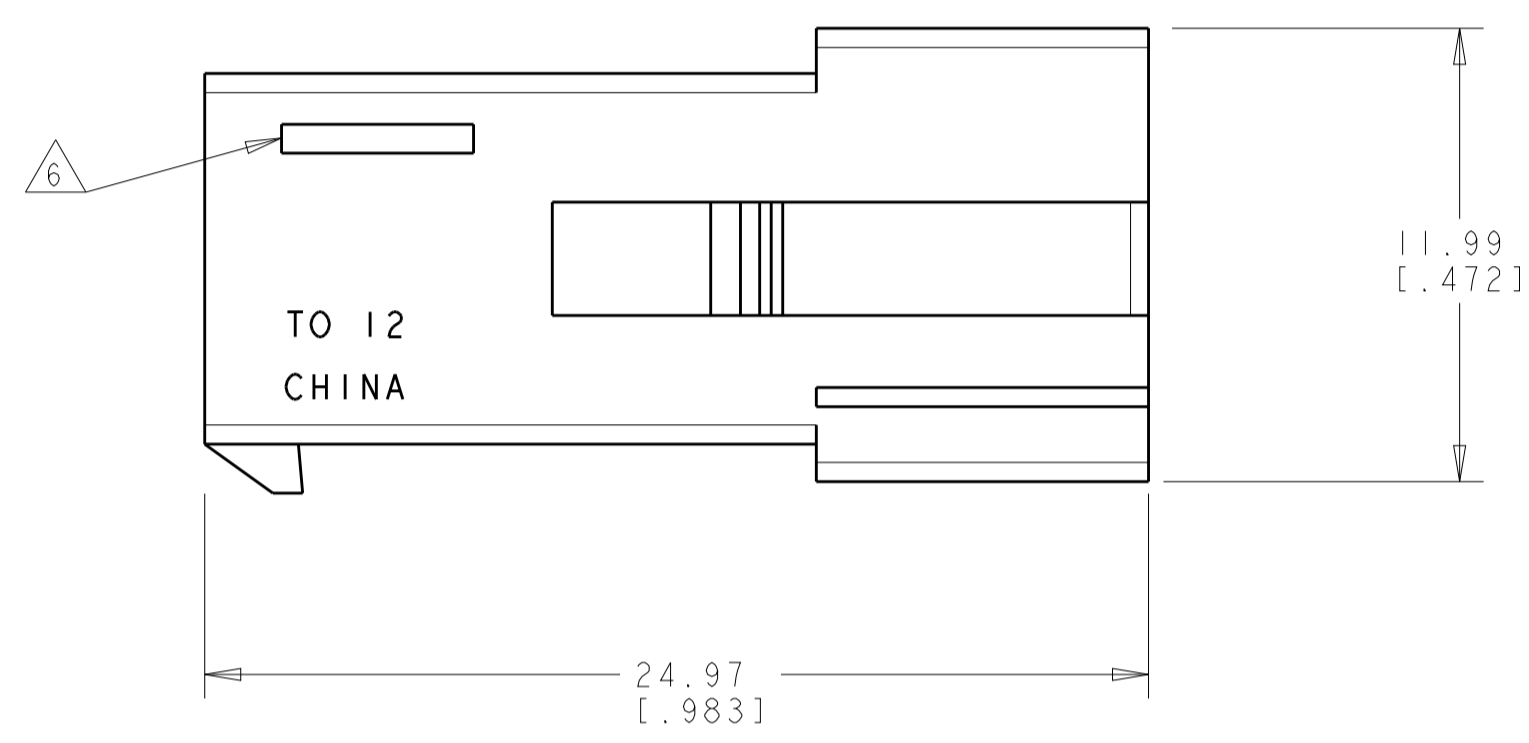
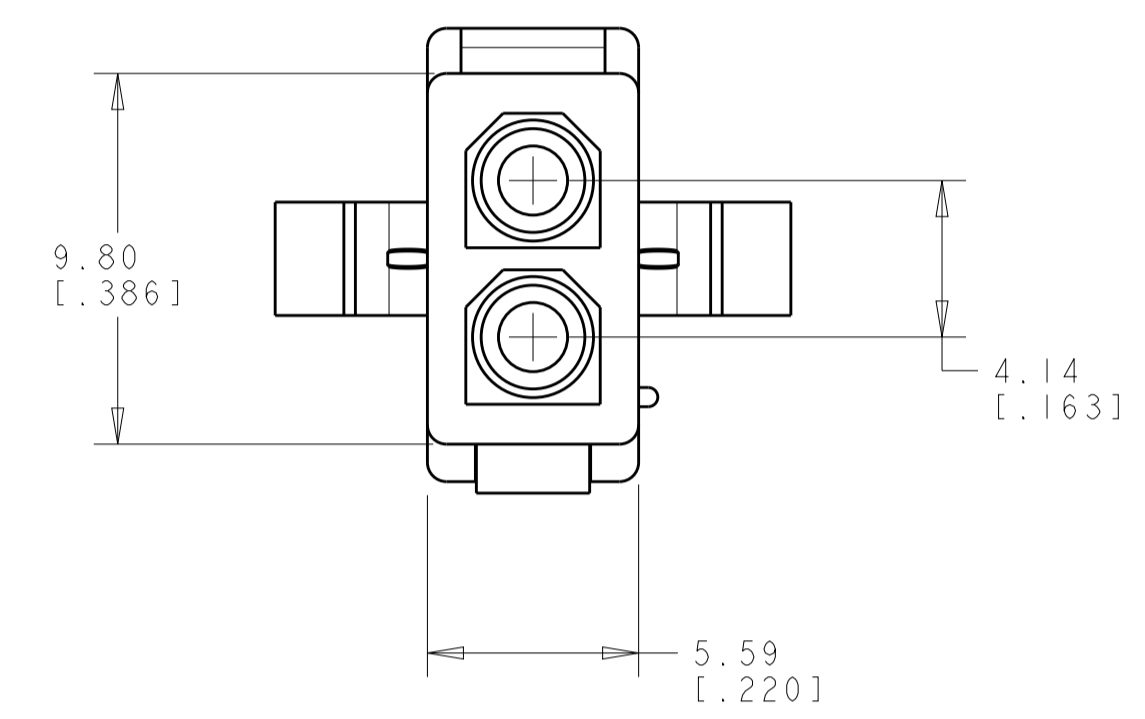
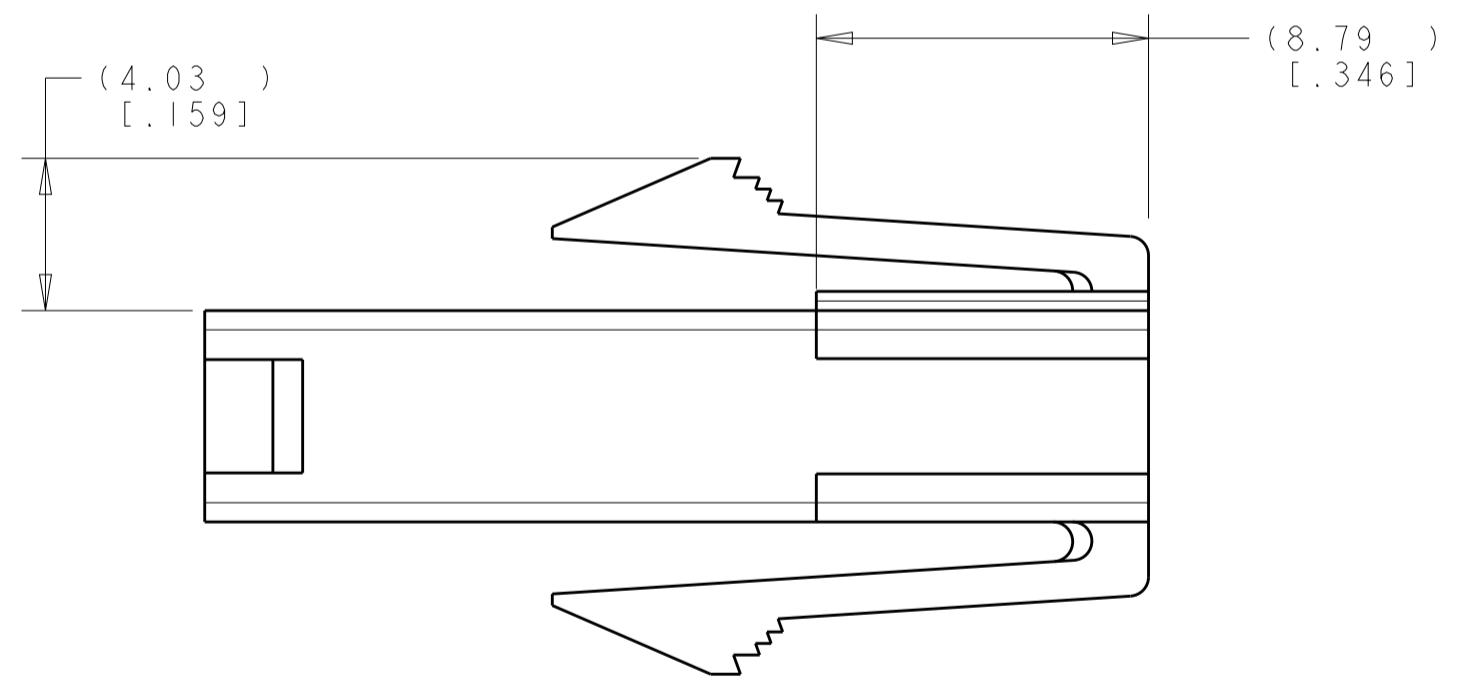
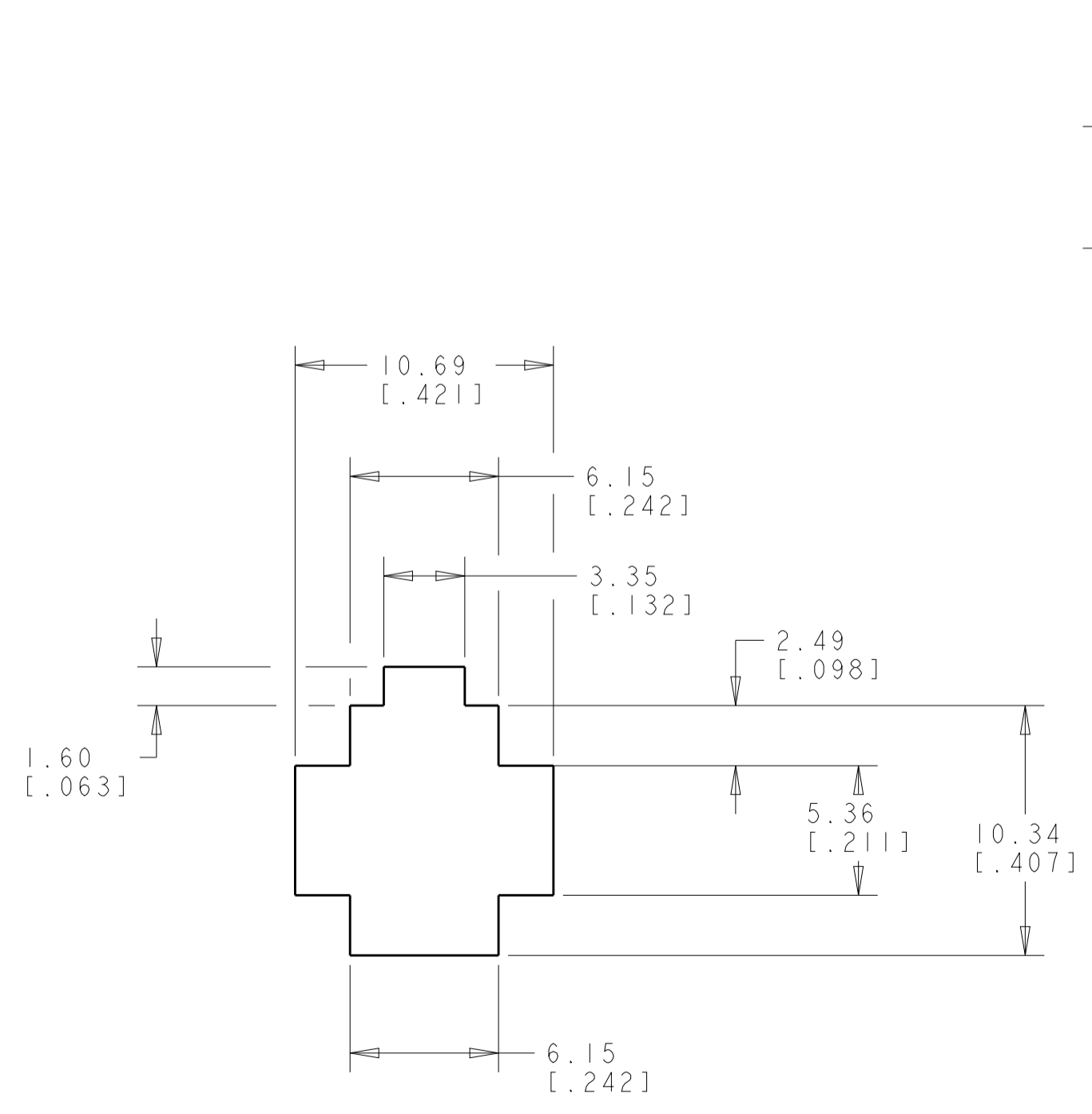


LOC	DIST	REVISIONS					
		P	LTN	DESCRIPTION	DATE	DWN	APVD
CM	00	A3		ECR-15-006129	30APR2015	SC	DZ



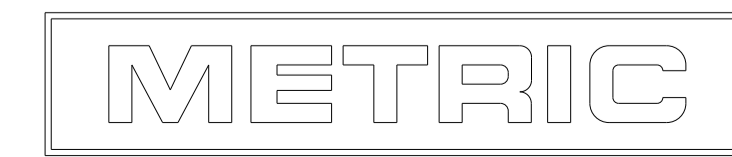
1. APPLICABLE CONTACT P/N: 170539, 170360, 170361, 170362.
2. MATING HOUSING P/N: 794894.
3. RECOMMENDED PANEL THICKNESS TO BE 0.8-2.0 [.031-.079].
4. HOUSING INSERTION INTO THE PANEL CUT OUT MUST BE IN THE SAME DIRECTION AS THE PUNCH.
5. GWT 750° (WITH OUT FLAME) ACC. IEC 60335-1
6. MATERIAL DESIGNATION.



RECOMMENDED PANEL CUT OUT
SCALE 4:1

REMARKS	COLOUR	MATERIAL	PART NUMBER
5	NATURAL	PA6 UL94-V2	794896-3
5	RED	PA6 UL94-V2	794896-2
	NATURAL	PA66/6 UL94-V0	794896-1

THIS DRAWING IS A CONTROLLED DOCUMENT.		DWN R. WHITAKER 29JAN2001	NAME
DIMENSIONS: mm [INCHES]		CHK C. JONES 29JAN2001	PRODUCT SPEC
TOLERANCES UNLESS OTHERWISE SPECIFIED:		APVD C. JONES 29JAN2001	APPLICATION SPEC
0 PLC	±		
1 PLC	±		
2 PLC	±0.13 (1.015)		
3 PLC	±.005		
4 PLC	±		
ANGLES	±		
FINISH	±		
MATERIAL		WEIGHT	RESTRICTED TO
CUSTOMER DRAWING		SCALE 5:1	SHEET 1 OF 1 REV A3



单击下面可查看定价，库存，交付和生命周期等信息

[>>TE Connectivity\(泰科\)](#)