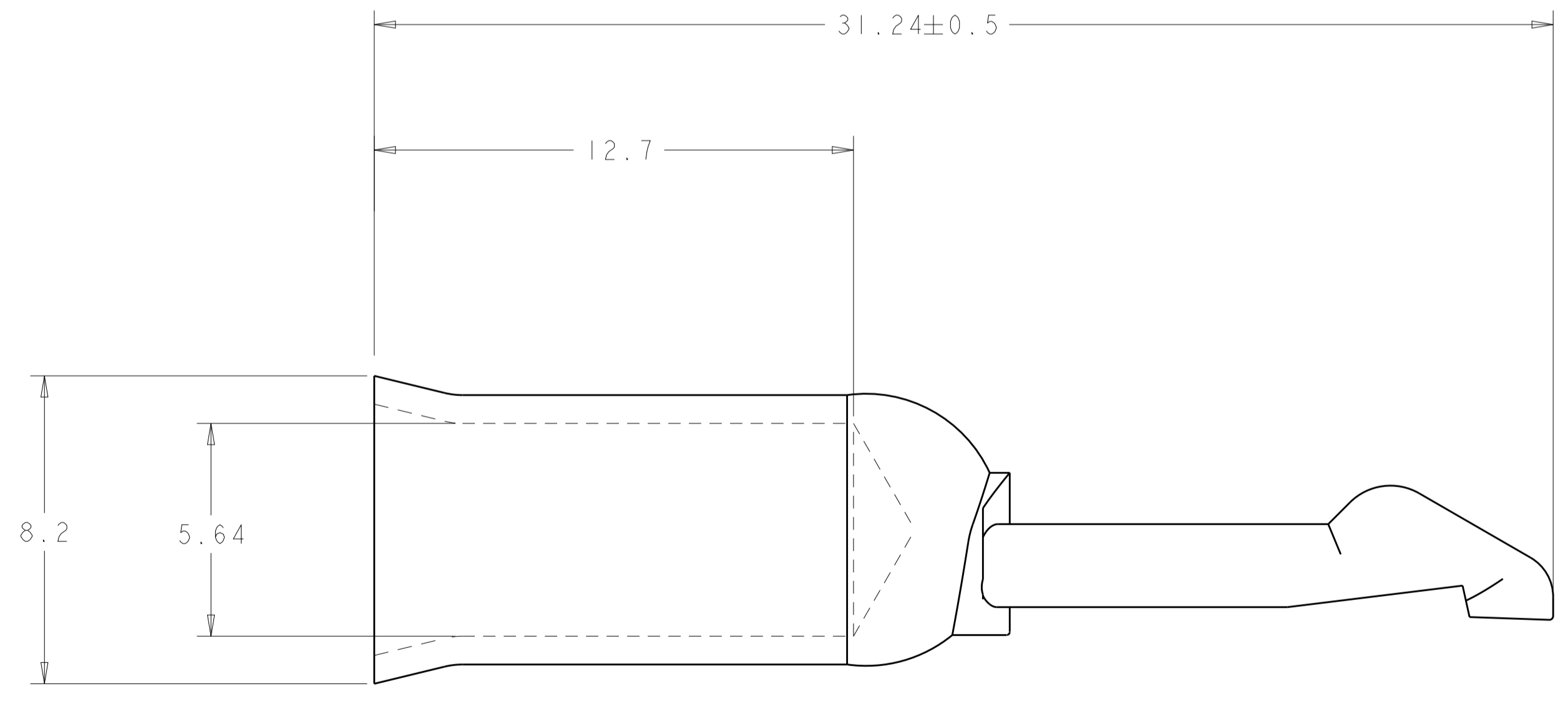
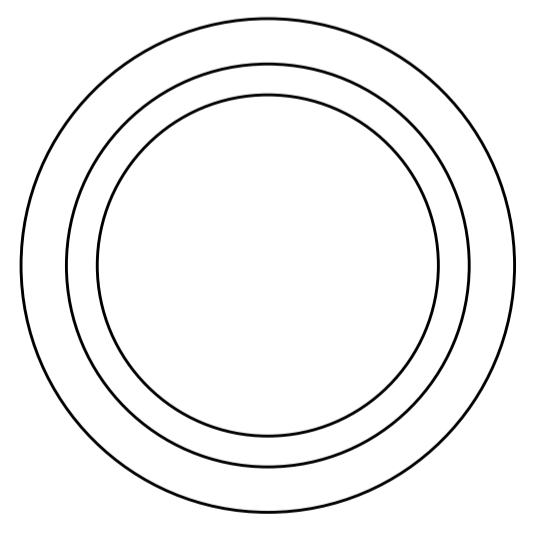
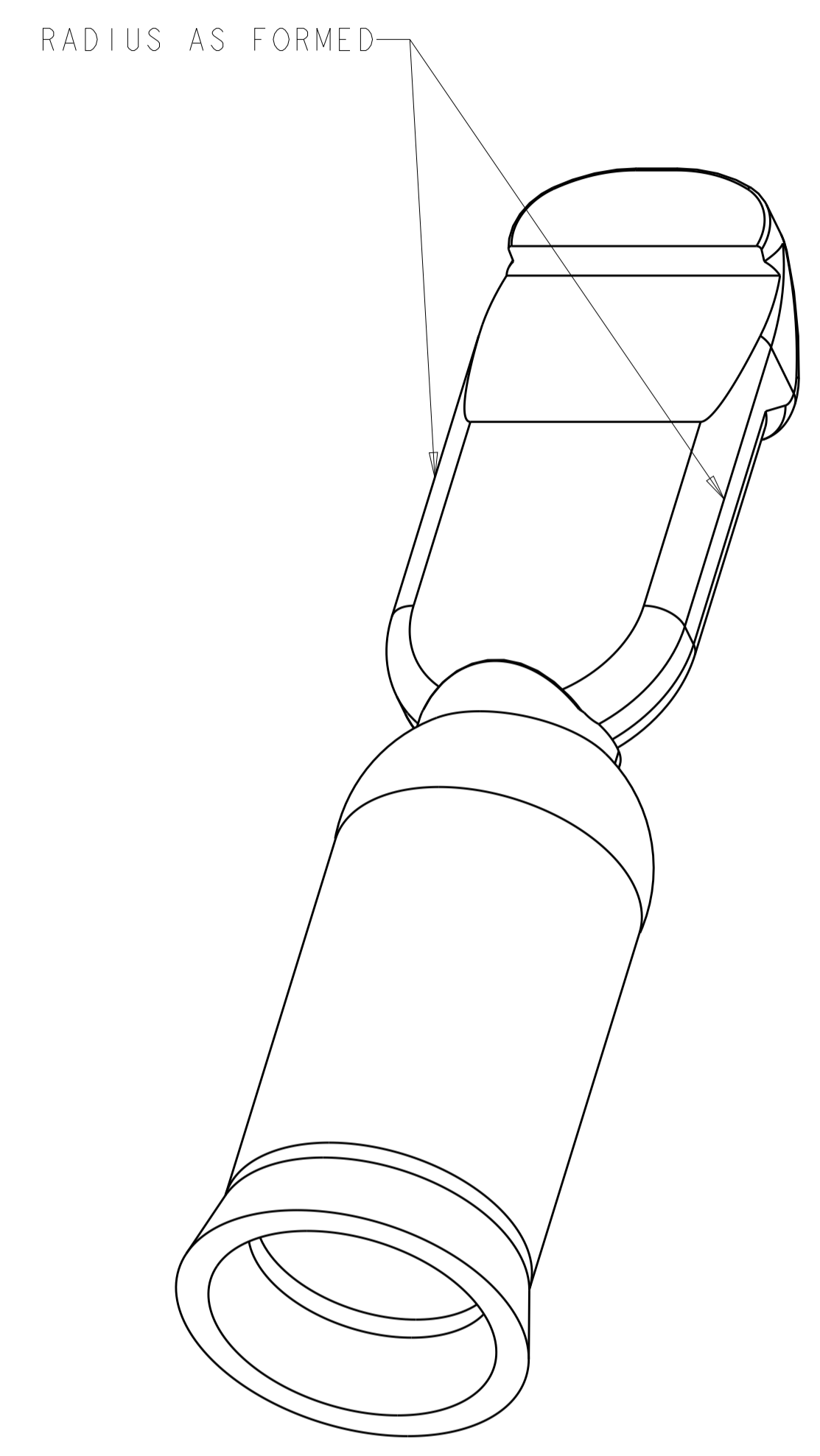
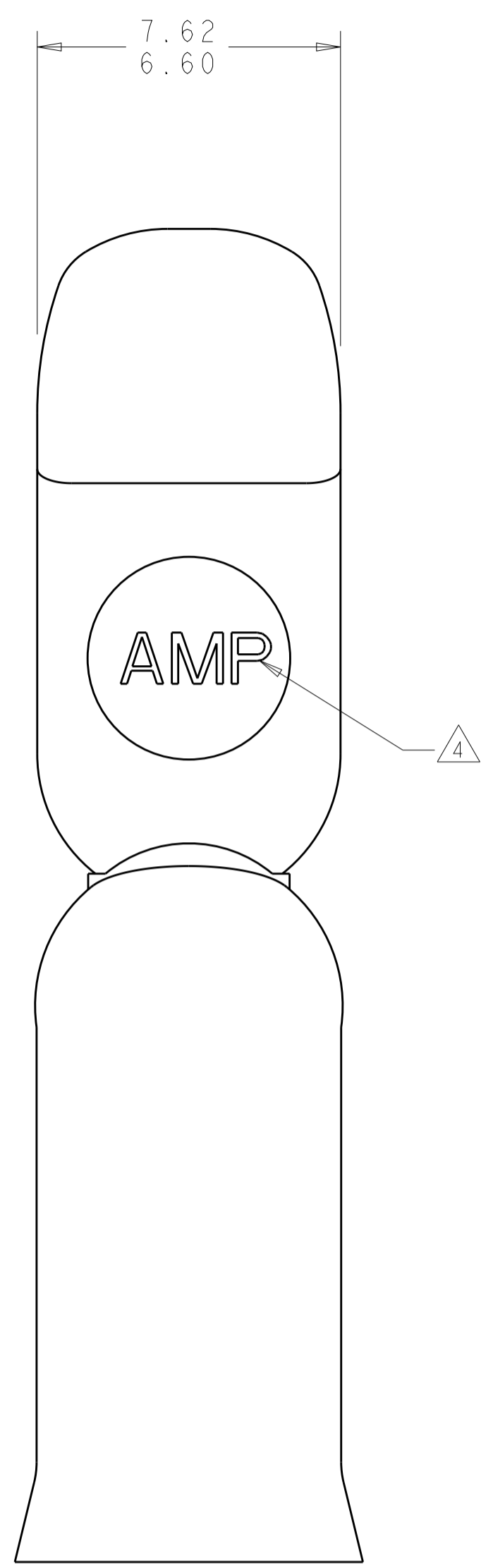


LOC	DIST	REVISIONS			
P	LTN	DESCRIPTION	DATE	DMN	APVD
A		REVISED PER 0G3B-0944-03	12-DEC-03	KW	JE
B		ECO-08-008748	15APR2008	KW	SR
B1		REVISED PER ECO-08-018053	23JUL2008	HMR	SR
C		REVISED PER ECR-18-000415	19JAN2018	RS	SZ



1. MATERIAL: COPPER
 2. PLATING: SILVER
 3. THIS PRODUCT HAS PASSED VERIFICATION AND AGENCY APPROVALS TESTING AND IS COMPONENT RECOGNIZED PER UL 1977 AND CSA 22.2. TYCO ELECTRONICS PRODUCT QUALIFICATION TESTING IS NOT YET COMPLETE.
- △ STAMP MARK MAY BE ROTATED

METRIC

647877-1
PART NO

<small>THIS DRAWING IS UNPUBLISHED. RELEASED FOR PUBLICATION. IT IS THE POLICY OF TYCO ELECTRONICS CORPORATION TO CONTROL THE IDENTIFICATION AND DETERMINATION OF THE ORIGINAL SOURCE OF THE PARTS AND MATERIALS USED IN THE MANUFACTURE OF THIS PRODUCT. CONTACT TYCO ELECTRONICS CORPORATION FOR THE LATEST REVISION.</small>		DWN: SHANE WIESE CHK: RAK APVD: RAK DATE: 12JUN2001	Tyco Electronics Harrisburg, PA 17105-3608
DIMENSIONS: mm 	TOLERANCES UNLESS OTHERWISE SPECIFIED: 0 PLC ± 1 PLC ± 2 PLC ±0.13 3 PLC ± 4 PLC ± ANGLES ±5 FINISH	NAME: CONTACT, 6 AWG, AMP POWER SERIES 50 / 75 PRODUCT SPEC APPLICATION SPEC	SIZE: A1 CAGE CODE: 00779 DRAWING NO: 647877 RESTRICTED TO: C
MATERIAL: -	FINISH: -	WEIGHT: -	SCALE: 8:1 SHEET 1 OF 1 REV C
CUSTOMER DRAWING			

单击下面可查看定价，库存，交付和生命周期等信息

[>>TE Connectivity\(泰科\)](#)