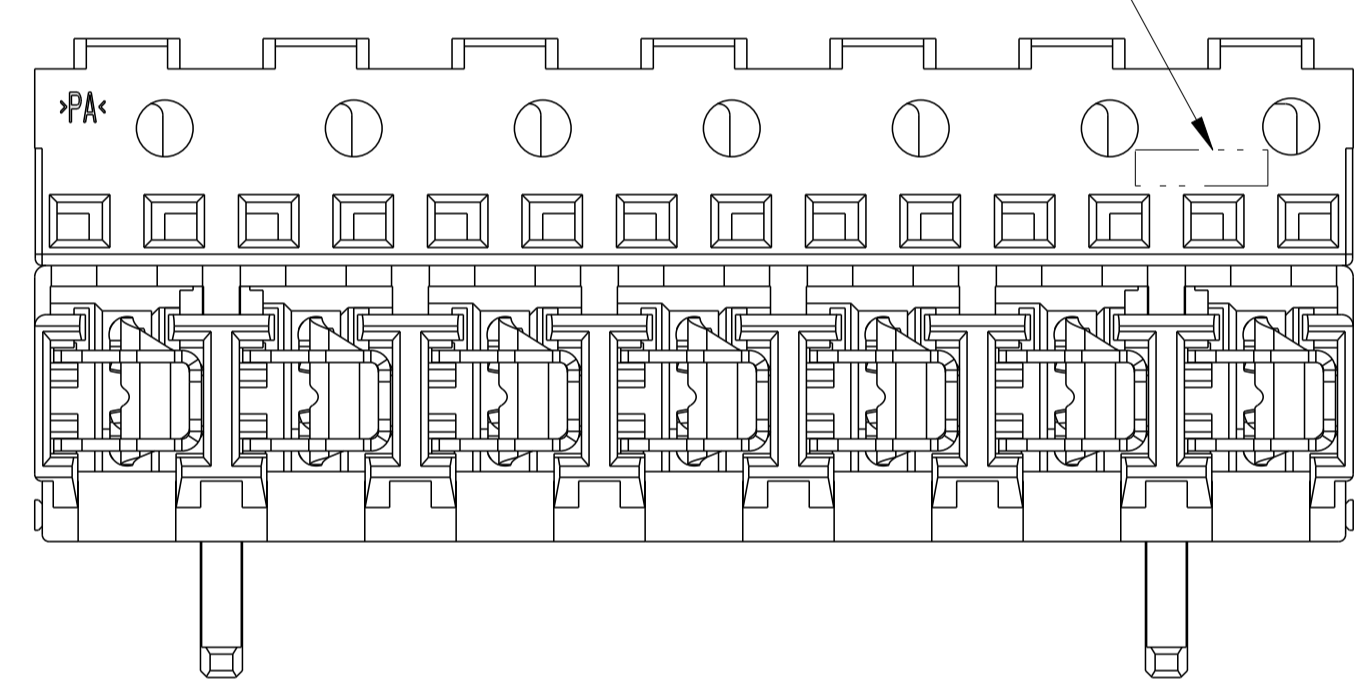
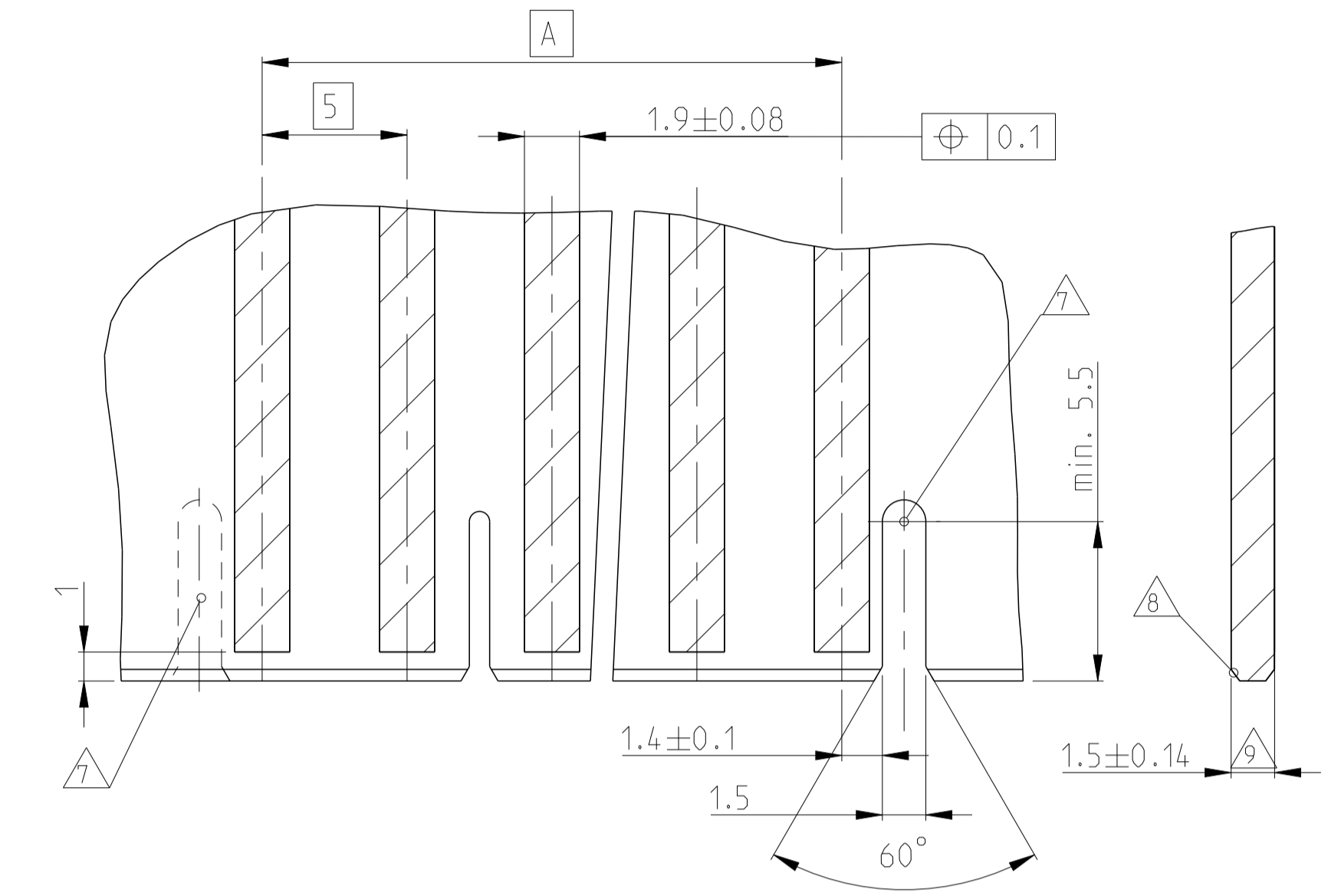
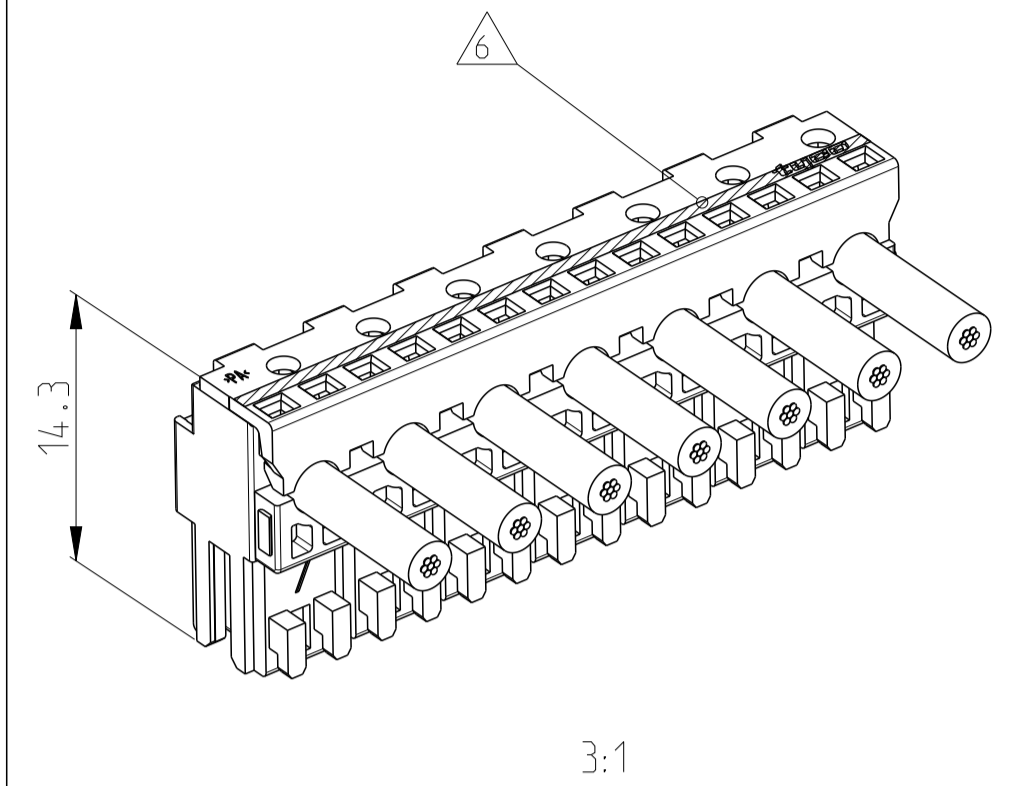
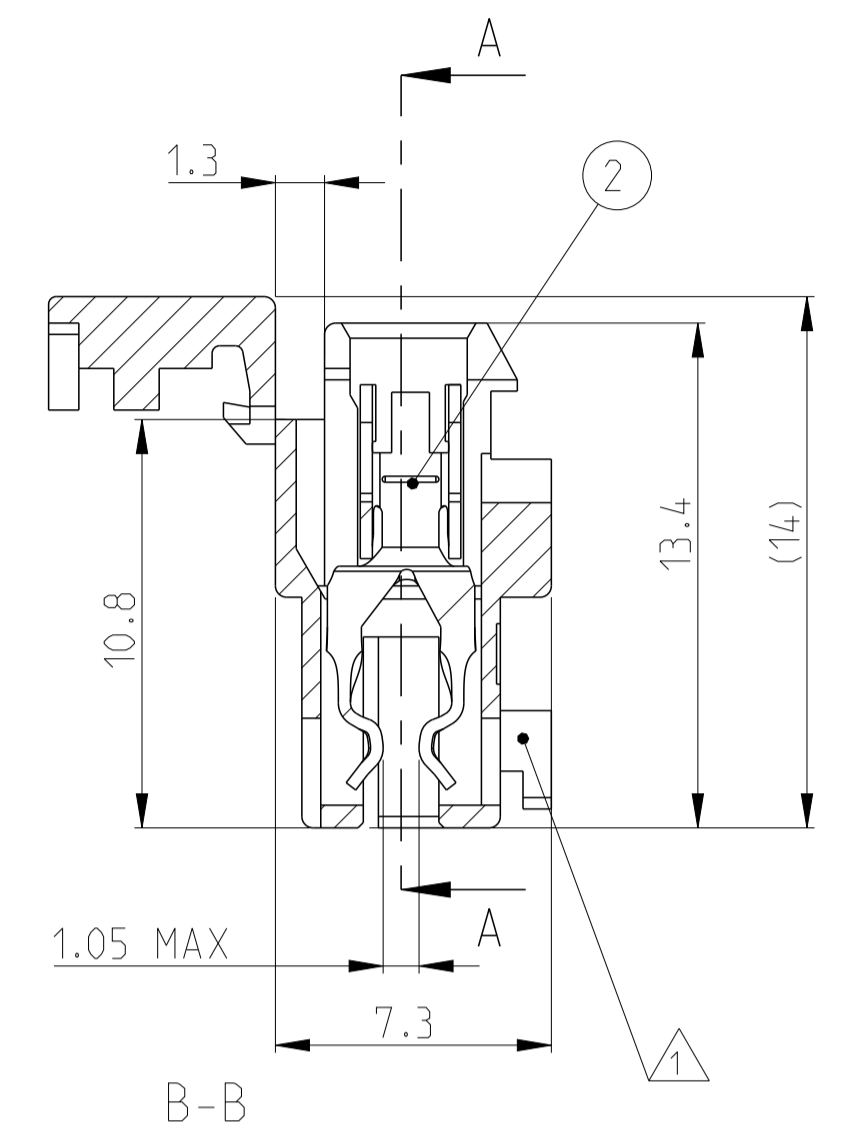
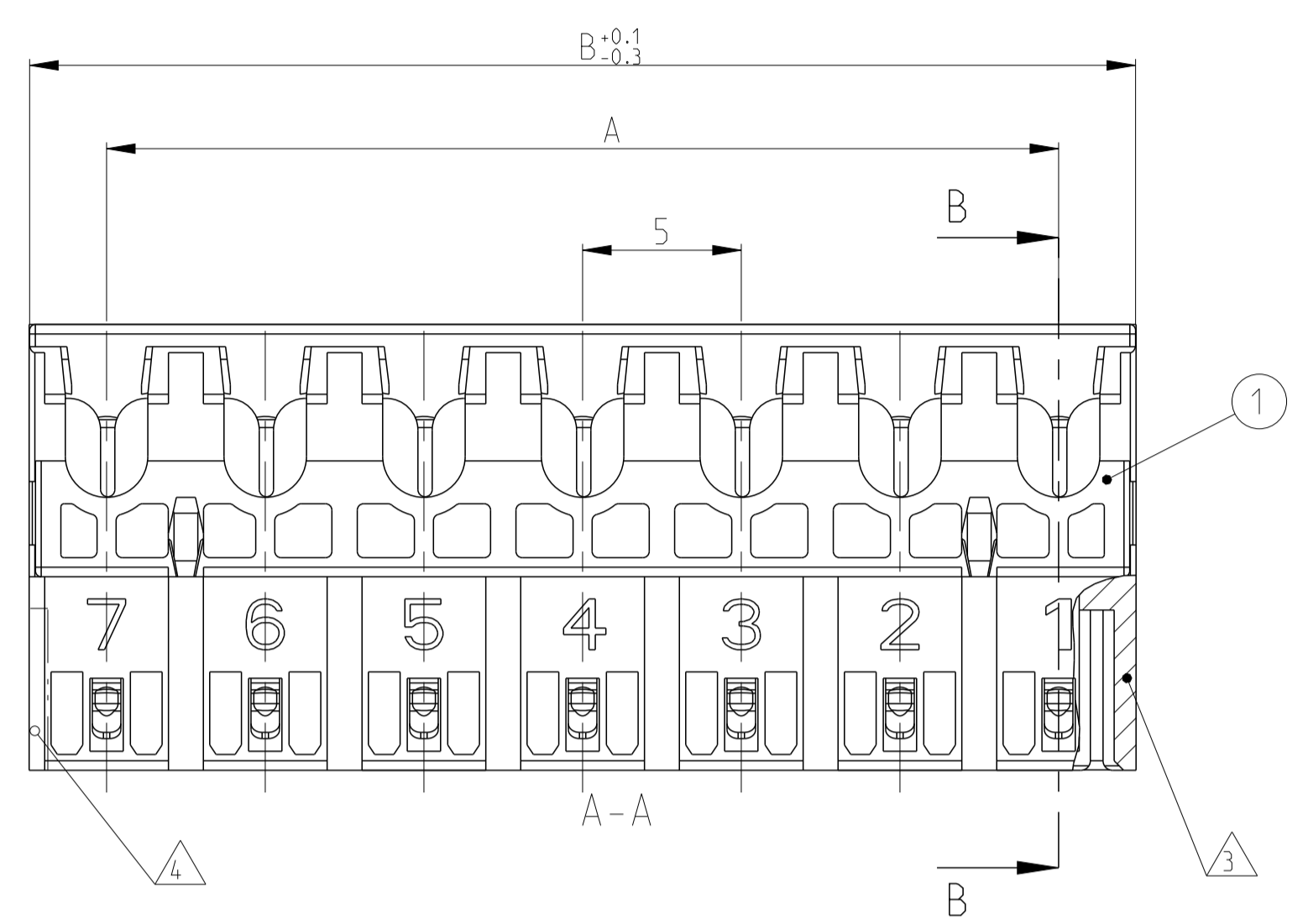
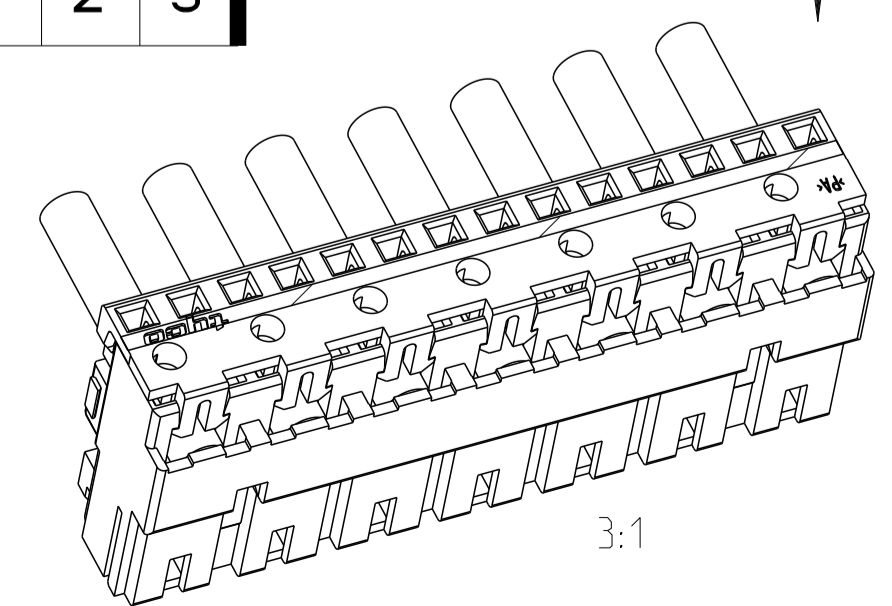
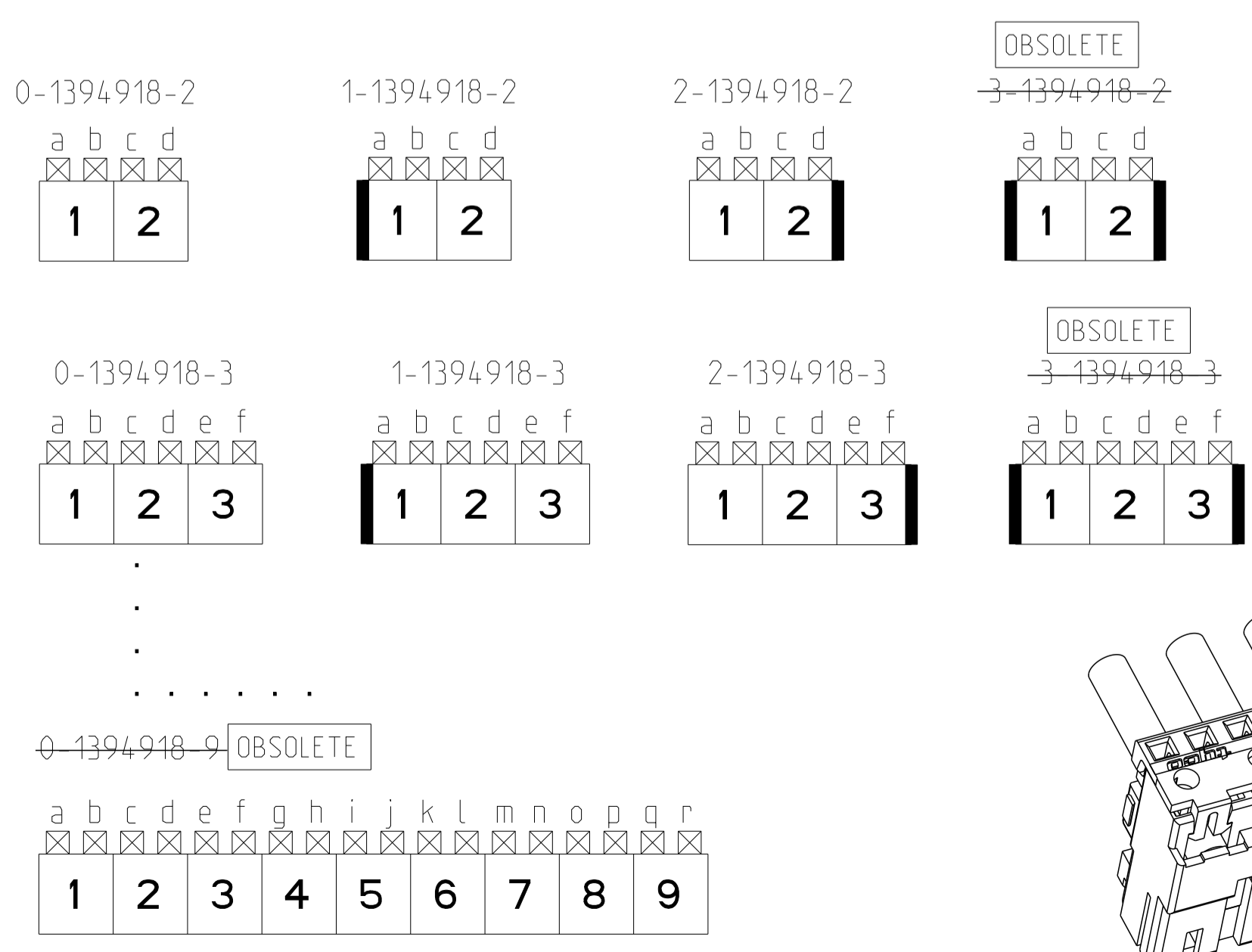


| LOC | DIST | REVISIONS |     |                           |           |     |      |
|-----|------|-----------|-----|---------------------------|-----------|-----|------|
| A1  | -    | P         | LTN | DESCRIPTION               | DATE      | DWN | APVD |
|     |      | F2        |     | ECR-17-006237             | 03MAY2017 | IZ  | RR   |
|     |      | F3        |     | ECR-17-006579             | 26MAY2017 | IZ  | RR   |
|     |      | F4        |     | ECR-19-014180             | 10OCT2019 | MP  | FL   |
|     |      | F5        |     | REVISED PER ECR-20-011072 | 10AUG2020 | BDA | W W  |

PCB LAYOUT KEYED / CONNECTED ONLY WITH ADDITIONAL FRAME  
 Leiterplattenanschluss kodiert / nur in Verbindung mit zusätzlichem Rahmen



**KEYING PLAN (VIEW Z)**  
**Kodierschema (Ansicht Z)**



- 12 PART NOT YET RELEASED FOR PRODUCTION
- 11 OBSOLETE
- 10 TE LOGO
- 9 INCLUSIVE COPPER CLADDING:  
Inklusive Kupferkaschierung:
- 8 PCB PREFERABLY CHAMFERED.  
Leiterplatte vorzugsweise angefast.
- 7 SLOT FOR SIDE KEYING, 4, 4.  
Schlitz fuer Seitenkodierung, 4, 4.
- 6 COLOUR MARKING ON TOP OF HOUSING OPTIONAL ON TERMINATION MACHINE  
Farbmarkierung auf Gehäuseoberseite optional an Verarbeitungsmaschine
- 5 MATING PART: PCB (WITH FRAMES ACC. RAST 2.5 E.G. PN 964 575/576)  
TABHEADER PN 1 534 787/788  
Passender Gegenstecker: Leiterplatten (mit Rahmen nach RAST 2.5 z.B. 964 575/576)  
Tabwannen Nr. 1 534 787/788
- 4 SIDE KEYING, ON LAST CAVITY  
Seitenkodierung, an letzter Kammer
- 3 SIDE KEYING, ON CAVITY 1  
Seitenkodierung, an Kammer 1
- 2 WIRE RANGE: 0.35-0.75 mm<sup>2</sup>  
Drahtgrößenbereich: 0.35-0.75 mm<sup>2</sup>
- 1 KEYING RIBS; CUTTING WITH TERMINATION MACHINE POSSIBLE  
Kodierrippe; Schneiden auf der Verarbeitungsmaschine moeglich

| POS. | DIM A | DIM B | KEYING | KEYING | TE P/N                    |
|------|-------|-------|--------|--------|---------------------------|
| 9    | 40    | 44.9  | -      | -      | 0-1394918-9 <sup>11</sup> |
| 8    | 35    | 39.9  | -      | -      | 0-1394918-8 <sup>11</sup> |
| 7    | 30    | 34.9  | -      | -      | 0-1394918-7               |
| 6    | 25    | 29.9  | -      | -      | 0-1394918-6               |
| 5    | 20    | 24.9  | -      | -      | 0-1394918-5               |
| 4    | 15    | 19.9  | -      | -      | 0-1394918-4               |
| 3    | 10    | 14.9  | X      | X      | 3-1394918-3 <sup>11</sup> |
| 3    | 10    | 14.9  | X      | -      | 2-1394918-3               |
| 3    | 10    | 14.9  | -      | X      | 1-1394918-3               |
| 3    | 10    | 14.9  | -      | -      | 0-1394918-3               |
| 2    | 5     | 9.9   | X      | X      | 3-1394918-2 <sup>11</sup> |
| 2    | 5     | 9.9   | X      | -      | 2-1394918-2               |
| 2    | 5     | 9.9   | -      | X      | 1-1394918-2               |
| 2    | 5     | 9.9   | -      | -      | 0-1394918-2               |

| 2    | SEE TABLE | CONTACT     | CuNiSi          | TINNED        |
|------|-----------|-------------|-----------------|---------------|
| 1    |           | HOUSING     | PA 6.6 UL94 V-0 | GREY          |
| POS. | TE P/N    | DESCRIPTION | MATERIAL        | COLOUR/FINISH |

THIS DRAWING IS A CONTROLLED DOCUMENT. DWN: A. Weber, 10MAY2001  
 CHK: B. Schnaubelt, 10MAY2001  
 APVD: T. Klenner, 10MAY2001

**STE** TE Connectivity

NAME: AMP DUOPLUG POWER FEMALE CONNECTOR (STANDARD VERSION)

PRODUCT SPEC: 108-18780  
 APPLICATION SPEC: 114-18458

SIZE: A1, CAGE CODE: 00779, DRAWING NO: C=1394918, RESTRICTED TO: REV: F5

MATERIAL: - FINISH: - WEIGHT: - SCALE: 5:1 SHEET 1 OF 1

单击下面可查看定价，库存，交付和生命周期等信息

[>>TE Connectivity\(泰科\)](#)