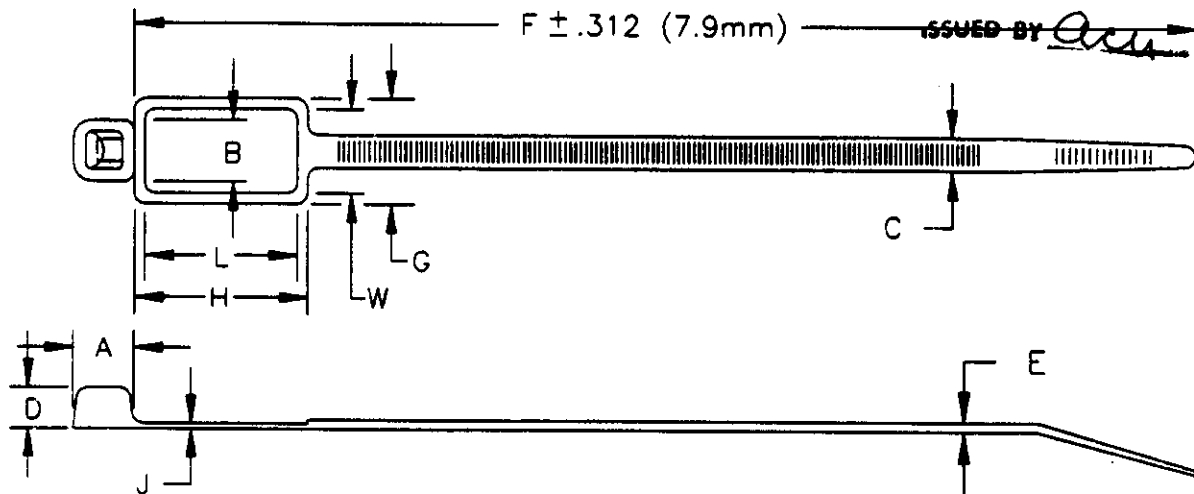


DWG NO 608702

UNIT OF MEASURE	A	B	C	D	E	LENGTH OVERALL	MAX BUNDLE DIA.	MIN. TENSILE STRENGTH	
INCHES	.284	.288	.185	.235	.046	7.98	1.75	50 lbs.	
MM	7.21	7.32	4.70	5.97	1.17	203.	44.45	22.68 kg.	
UNIT OF MEASURE	F	G	H	J	L	W			
INCHES	7.684	.502	1.042	.033	.966	.435			
MM	195.17	12.75	26.47	.84	24.54	11.05			

APC ENGINEERING
JUL 13 1990

ISSUED BY *Acu*



NOTES:

1. MOISTURIZED 1 TO 2.5% WATER.
2. PACKAGED IN HEAT SEALED 3 MIL POLYBAG WITH LABEL PER DWG 404707.
3. MILITARY NO. MS3368-1-A

CUSTOMER DRAWING UNPUBLISHED

OBSOLETE		2-608702-9	NATURAL 1000 ITY134M	
		1-608702-9	NATUARL 100 ITY134C	

LOC D	DWG SIZE	PART No.	DESCRIPTION	ITEM NO
DIST 1			REVISION OF EACH ASSY NO. (WHEN BLANK, USE DWG REVISION)	
QTY. REQ'D. PER ASSY.		PARTS LIST		

MATERIAL NYLON 6/6		HEAT TREAT		FINISH	
DIMENSIONS ARE IN INCHES		DRAWN BY: AD-TEK/VL		DATE: 7/3/90	
TOLERANCES UNLESS OTHERWISE SPECIFIED: 2 PL DEC ± 3 PL DEC ± .039 4 PL DEC ±		CHECK BY: BJM 7/90		APPROVED BY: J. Hamed 7/5/90	
ANGLES ±					
SURF TEXTURE: ✓					
REMOVE BURRS, BREAK SHARP EDGES, .015 R. MAX.		NAME: IDENTIFICATION CABLE TIE 8 INCH			
✓ A	ECO-13-004228	DR	10-JUN-13	SCALE: A	DRAWING No.: 608702
P	F	LTR	REVISION RECORD	APP	DATE
				SHEET: 1 OF 1	REV.: A

THIS INFORMATION IS CONFIDENTIAL AND IS DISCLOSED TO YOU ON CONDITION THAT NO FURTHER DISCLOSURE MADE BY YOU TO OTHER THAN AMP PERSONNEL WITHOUT WRITTEN AUTHORIZATION FROM AMP INCORPORATED, HARRISBURG, PA.

单击下面可查看定价，库存，交付和生命周期等信息

[>>TE Connectivity\(泰科\)](#)