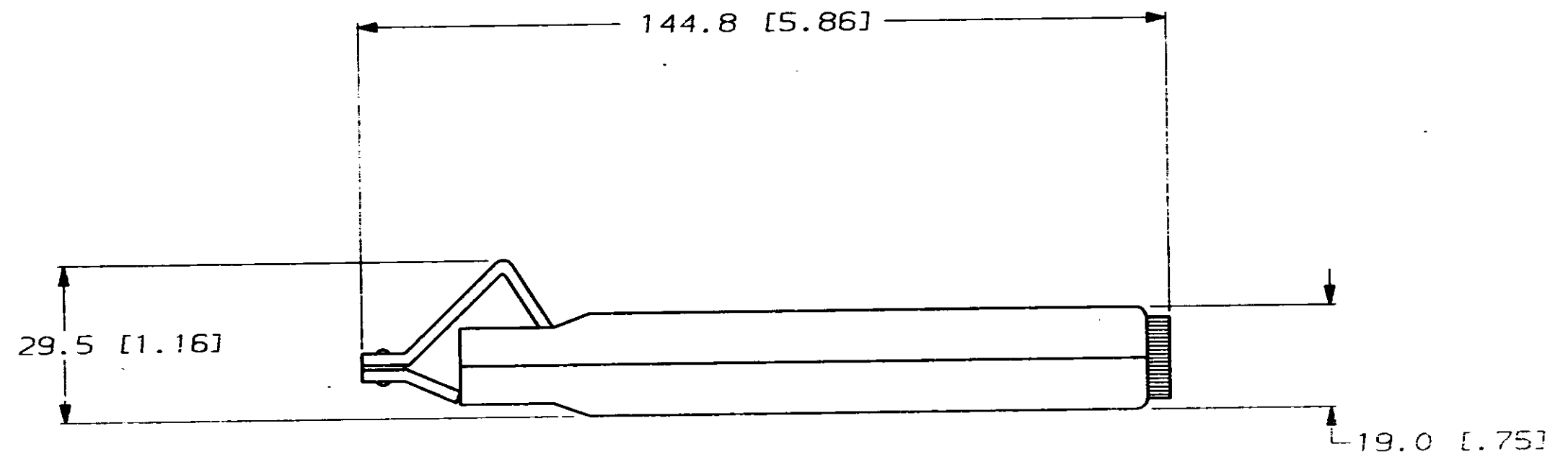
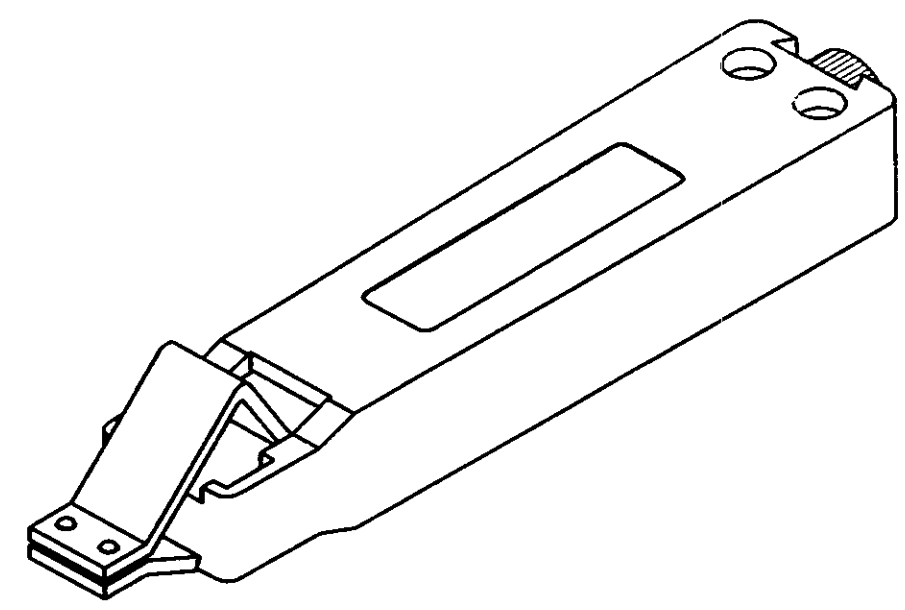
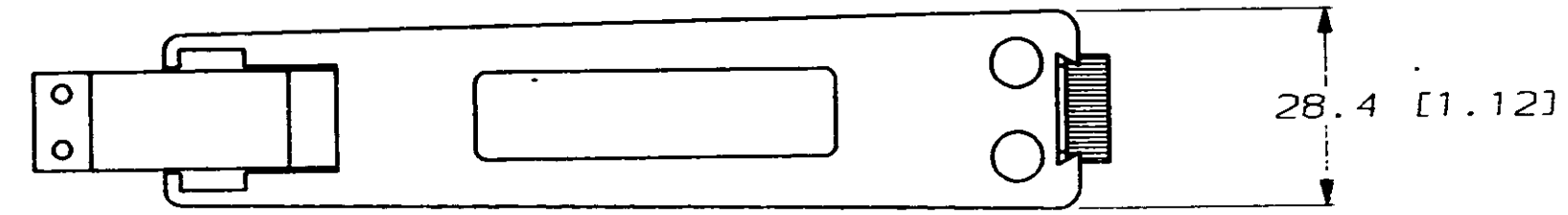


LOC	DIST	P	F	ZONE	LTR	DESCRIPTION	DATE	APPD
CE	16				0	REL PER NPR 87-195	1/1/88	2/2/88

1. DIMENSIONS IN [] ARE IN INCHES



501715-1
PART NO

DO NOT SCALE PRINT. UNLESS SPECIFIED DIMENSIONS IN mm TOLERANCES ON: 2 PLC DEC ± 0.8 [0.03] 3 PLC DEC ± - ANGLES ± -	DR <i>[Signature]</i> 1/19/88
	CHK <i>[Signature]</i> 1-18-88
MATERIAL	APPD <i>[Signature]</i> 1-19-88
FINISH	PRODUCT SPEC
	APPLICATION SPEC
	WEIGHT

AMP AMP INCORPORATED Harrisburg, Pa. 17105		
NAME CABLE STRIPPER, OPTIMATE		
SIZE C	FSCM NO 00779	DRAWING NO 501715
SCALE NTS	SHEET 1 OF 1	

METRIC

CUSTOMER DRAWING

单击下面可查看定价，库存，交付和生命周期等信息

[>>TE Connectivity\(泰科\)](#)