

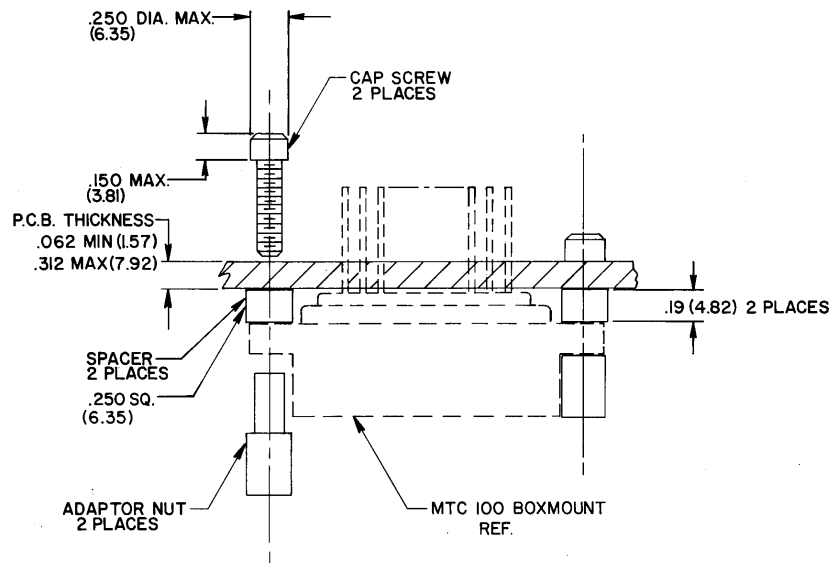
4

3

2

1

REVISIONS			
LTR	DESCRIPTION	DATE	APPROVED
N/C	INITIAL RELEASE PER ECN # T-3781	10-22-82	J3
A	REVISED PER ECN # T-3920	12-25-86	J3



NOTES

- THIS HARDWARE KIT IS USED TO MOUNT THE MTC 100 BOXMOUNT TO A PRINTED CIRCUIT BOARD.
- ITEMS ARE SHIPPED UNASSEMBLED IN A PLASTIC BAG.
- FINISH:

A. ADAPTOR NUT	PASSIVATED PER QQ-P-35
B. CAP SCREW	PASSIVATED PER QQ-P-35
- MATERIAL:

A. ADAPTOR NUT	SS 300 SERIES PER QQ-S-763
B. CAP SCREW	SS 300 SERIES PER QQ-S-763
C. SPACER	NYLON
- TOLERANCE: UNLESS OTHERWISE SPECIFIED
.XX = ± .02 (.51)

SPECIFICATION CONTROL DRAWING © Raychem Corporation 1982

DRAWN	PIERCE	10-6-82	Raychem <small>RAYCHEM CORPORATION 300 CONSTITUTION DRIVE MENLO PARK, CALIFORNIA 94025</small>
CHECKED	<i>[Signature]</i>	10-8-82	
APPROVED	<i>[Signature]</i>	10-8-82	
APPROVED	<i>[Signature]</i>	10-8-82	
UNLESS OTHERWISE SPECIFIED DIMENSIONS ARE IN INCHES. METRIC DIMENSIONS ARE IN PARENTHESES			TITLE
			P.C. BOARD MOUNTING KIT FOR MTC 100, BOXMOUNT CONNECTORS
SIZE	CODE IDENT. NO.	DWG. NO.	
C	06090	CHA-0046	
DO NOT SCALE THIS DRAWING		WEIGHT	SHEET OF

If this document is printed it becomes uncontrolled.
Check with the web for latest revision.

单击下面可查看定价，库存，交付和生命周期等信息

[>>TE Connectivity\(泰科\)](#)