

THIS DRAWING IS UNPUBLISHED. RELEASED FOR PUBLICATION
 © COPYRIGHT BY TYCO ELECTRONICS CORPORATION. ALL RIGHTS RESERVED.

LOC	DIST	REVISIONS			
P	LTR	DESCRIPTION	DATE	DWN	APVD
GP	00	0	RELEASED PER EC 0513-0288-05	03OCT05	BM WM

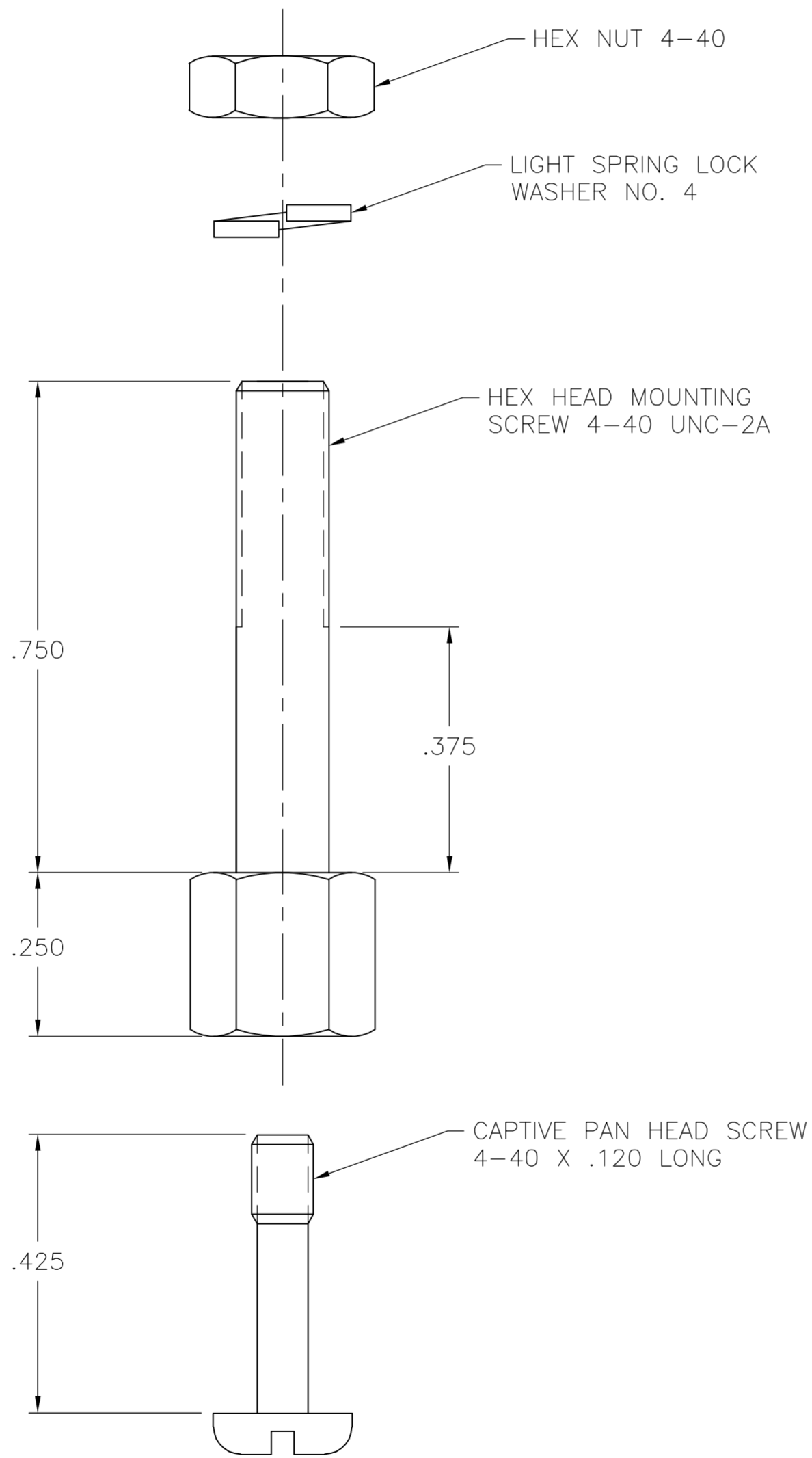
1. ALL DIMENSIONS SHOWN ARE FOR REFERENCE ONLY UNLESS OTHERWISE SPECIFIED.

2. 2 REQUIRED OF EACH COMPONENT PER KIT.



MATERIAL:

PAN HEAD SCREW: ZINC PLATED STEEL.
 LOCKWASHERS: PASSIVATED STAINLESS STEEL.
 HEX HEAD SCREW: BRASS WITH CHROME PLATE.
 HEX NUT: PASSIVATED STAINLESS STEEL.



AS SHOWN	5552563-1
DESCRIPTION	PART NUMBER

THIS DRAWING IS A CONTROLLED DOCUMENT.		DWN B. MCMASTER 03OCT05	Tyco Electronics Corporation Harrisburg, PA 17105-3608	
DIMENSIONS: INCHES		CHK W. MILLHIMES 03OCT05		
TOLERANCES UNLESS OTHERWISE SPECIFIED:		APVD W. MILLHIMES 03OCT05	NAME	
0 PLC ± - 1 PLC ± - 2 PLC ± - 3 PLC ± - 4 PLC ± - ANGLES ± - FINISH		PRODUCT SPEC	HARDWARE KIT, SCREW LOCK, VERTICAL MOUNTING, CHAMP	
MATERIAL		APPLICATION SPEC	SIZE A2	CAGE CODE 00779
		WEIGHT -	DRAWING NO C=5552563	RESTRICTED TO -
CUSTOMER DRAWING		SCALE 5:1	SHEET 1 of 1	REV 0

单击下面可查看定价，库存，交付和生命周期等信息

[>>TE Connectivity\(泰科\)](#)