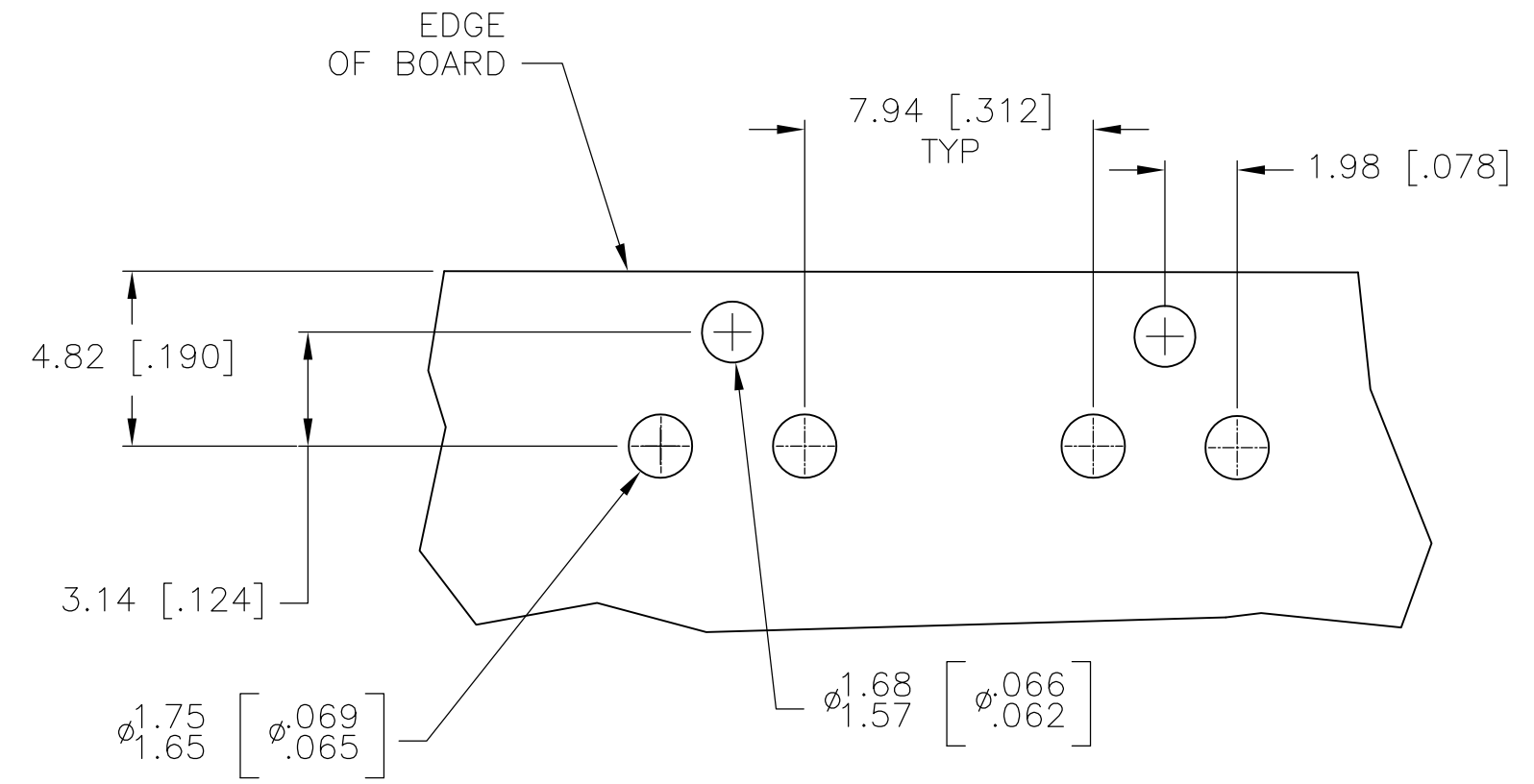
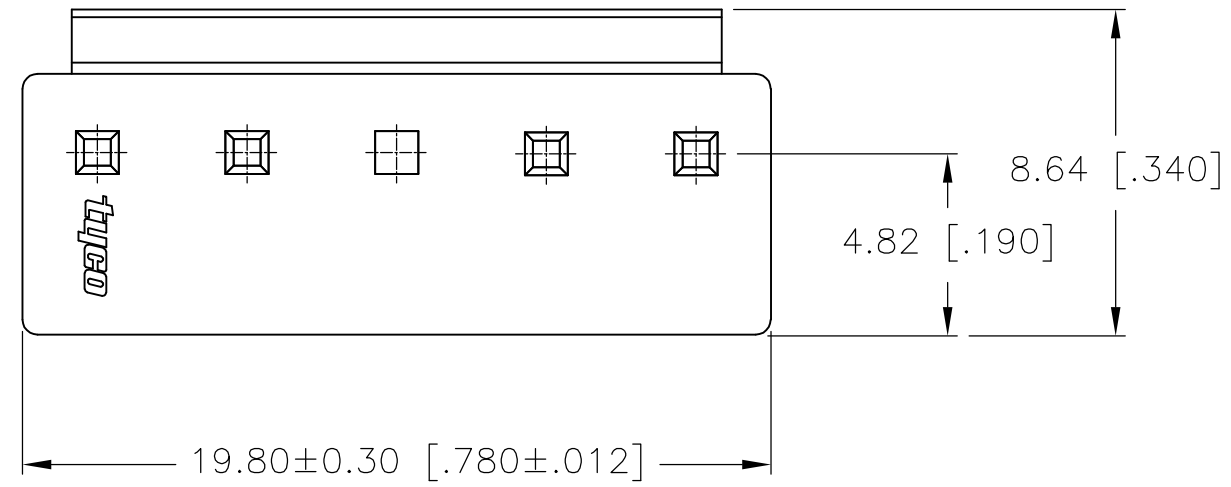
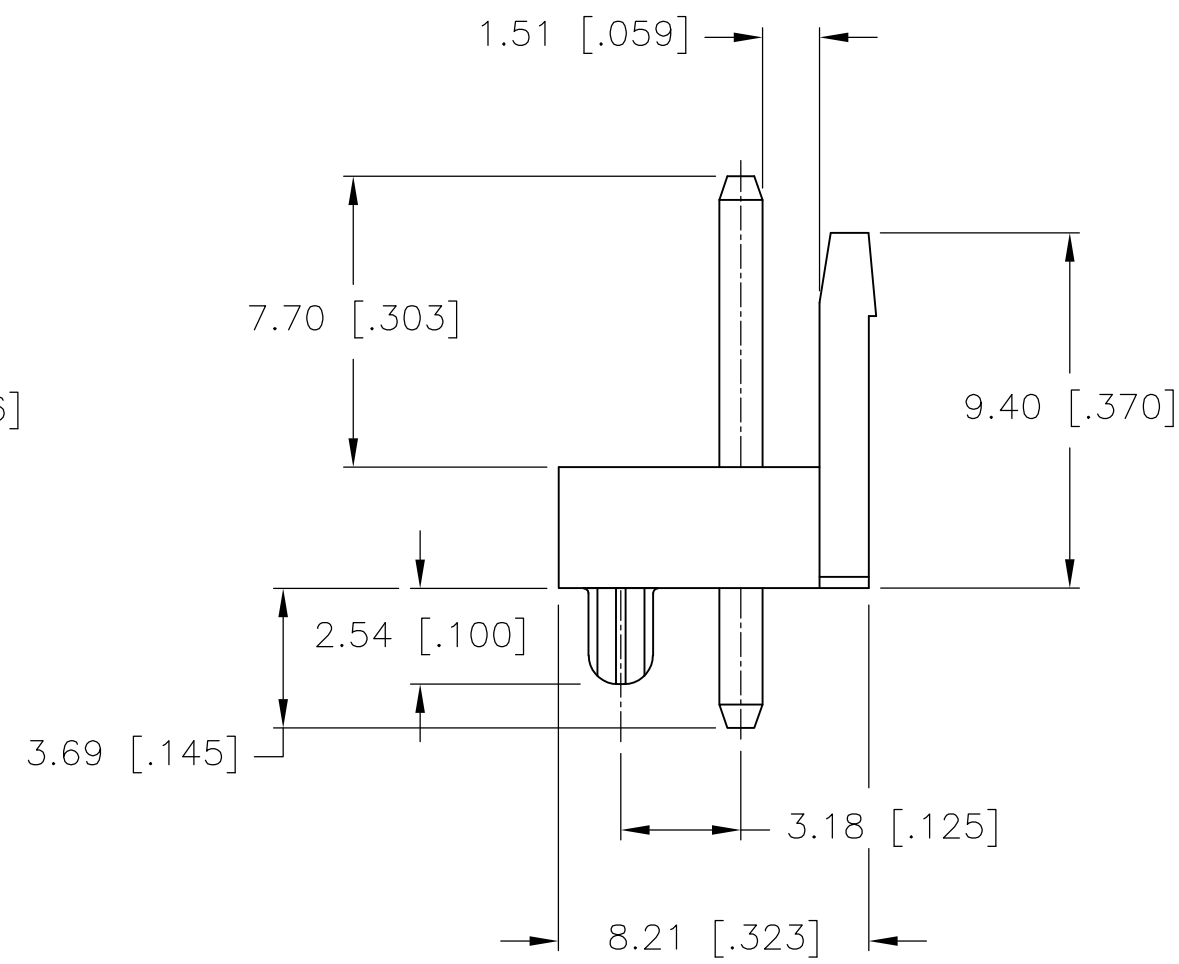
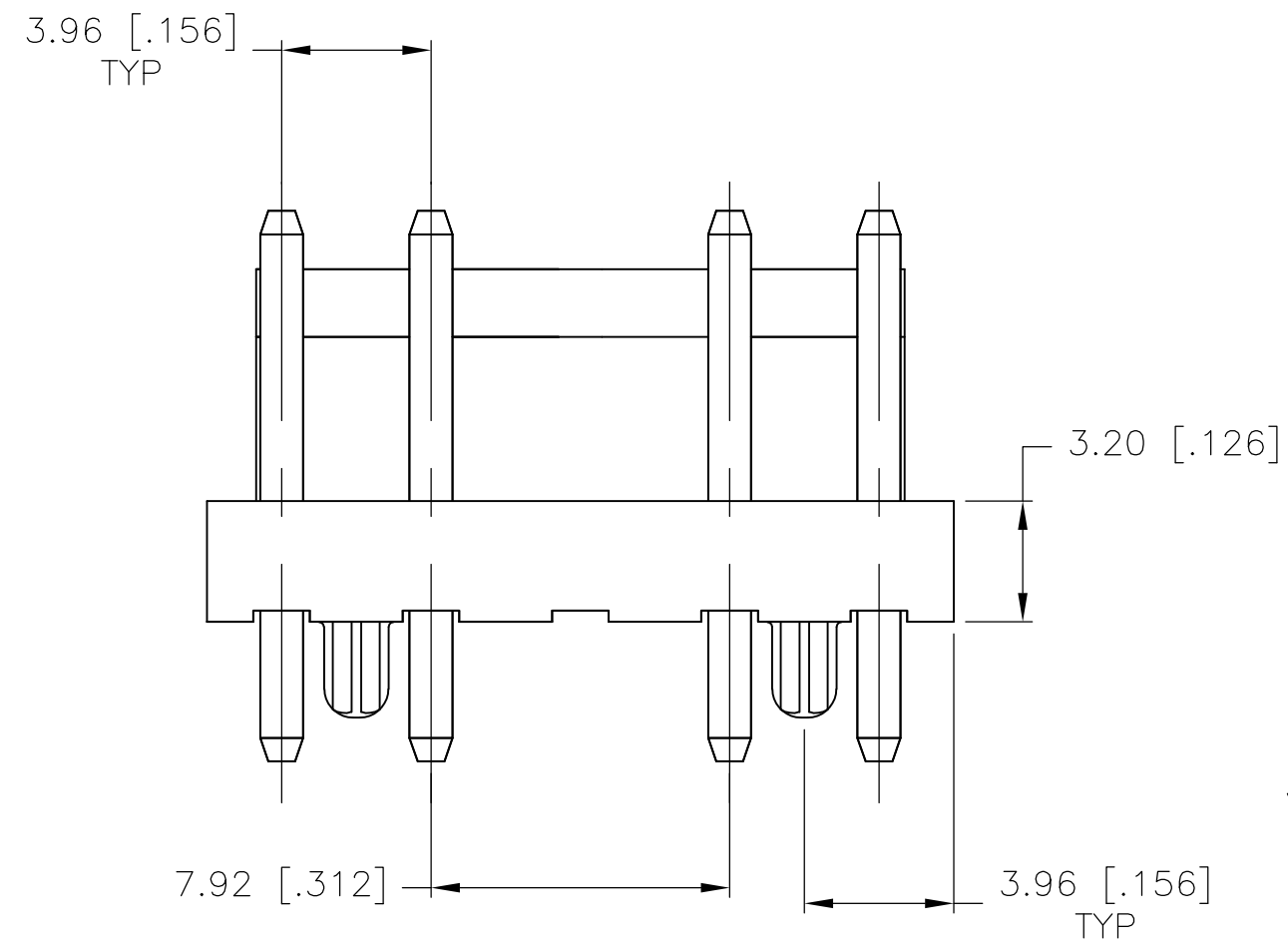


THIS DRAWING IS UNPUBLISHED. RELEASED FOR PUBLICATION
 © COPYRIGHT BY TYCO ELECTRONICS CORPORATION. ALL INTERNATIONAL RIGHTS RESERVED.

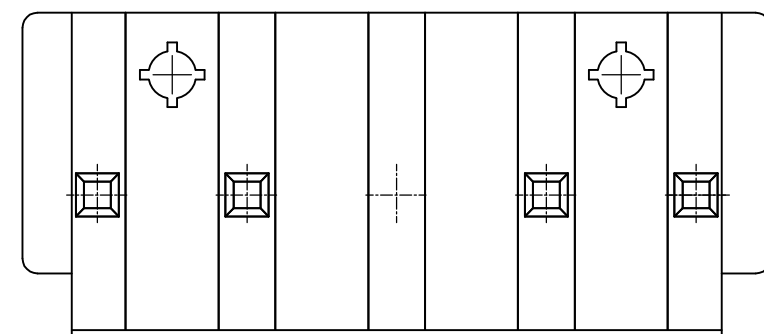
LOC		DIST		REVISIONS			
P	LTR	DESCRIPTION		DATE	DWN	APVD	
GP	00	D		REVISED PER ECO-09-017647	29OCT2009	CR	CR



RECOMMENDED MOUNTING HOLE PATTERN FOR 1.6 [0.063] THICK PC BOARD



- 1 HOUSING MATERIAL: NYLON 66 UL94V-0.
- 2 CONTACT MATERIAL: BRASS
- 3 CONTACT PLATING: 0.003[.000120] MIN TIN OVER 0.001[.000039] MIN NICKEL.



3	RED	1744291-5
3	NATURAL	1744291-1
POST OMITTED	COLOR	PART NUMBER

METRIC

THIS DRAWING IS A CONTROLLED DOCUMENT.		DWN K. WHITAKER 20DEC2007	Tyco Electronics Corporation Harrisburg, PA 17105-3608	
DIMENSIONS: mm [INCHES]		CHK S. RIDGILL 20DEC2007	NAME HEADER ASSEMBLY-ECONOMY POWER VERTICAL, W/RETENTION PEGS	
TOLERANCES UNLESS OTHERWISE SPECIFIED: 0 PLC ± 1 PLC ± 2 PLC ± 3 PLC ± 0.13 [0.005] 4 PLC ± ANGLES ±		APVD S. RIDGILL 20DEC2007	DRAWING NO A2 00779 C=1744291	
MATERIAL SEE NOTES		PRODUCT SPEC	SCALE 5:1	SHEET 1 of 1
		APPLICATION SPEC	RESTRICTED TO -	REV D
		WEIGHT	CUSTOMER DRAWING	

单击下面可查看定价，库存，交付和生命周期等信息

[>>TE Connectivity\(泰科\)](#)