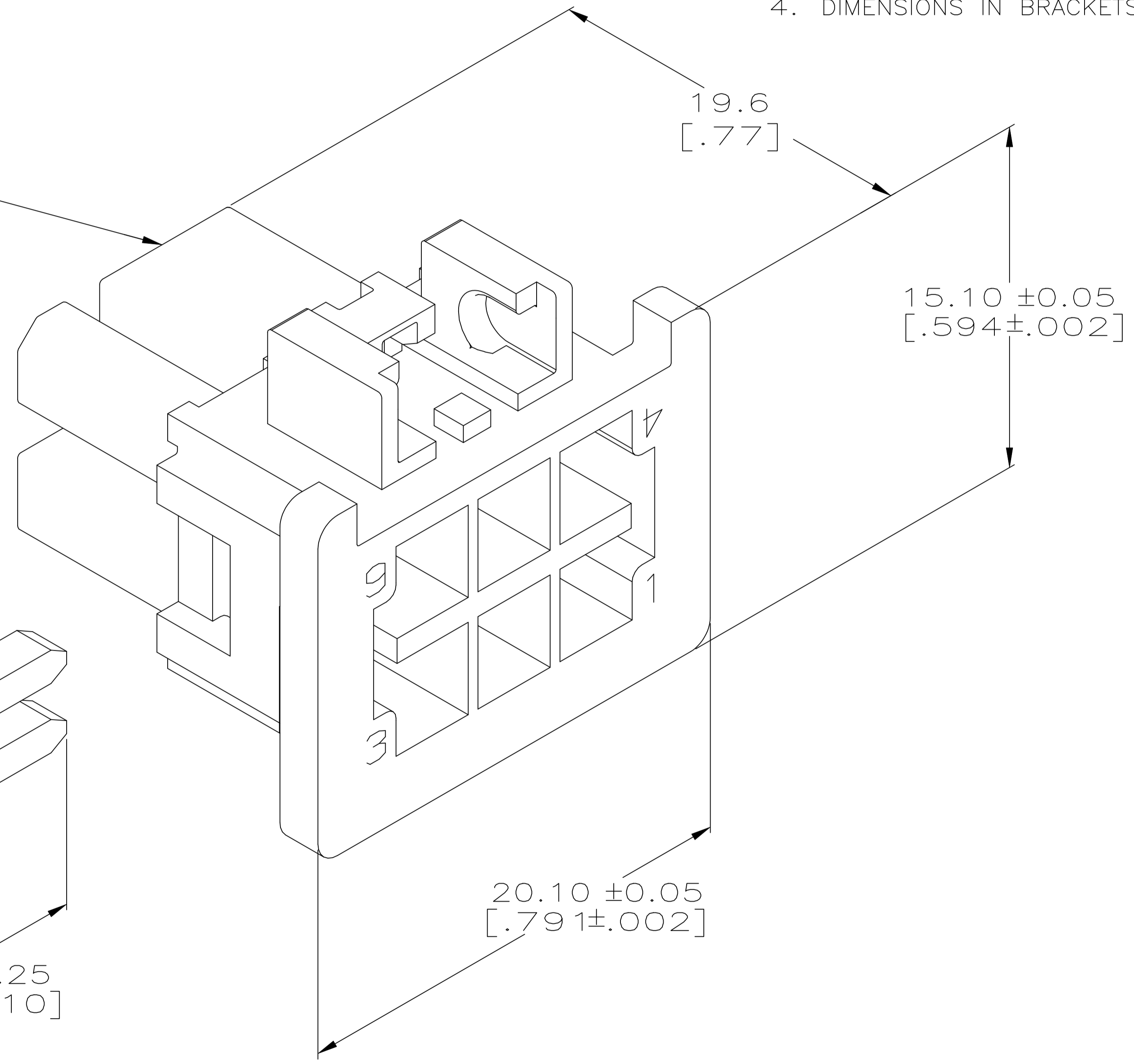


REVISIONS					
P	LTR	DESCRIPTION	DATE	DMN	APVD
F		ECO-18-012589	14AUG2018	TZ	DZ

1. BULK KITS CONSIST OF BAGS WHICH CONTAIN EQUAL QUANTITIES OF RECEPTACLE HOUSINGS AND POSITION LOCKS.
2. RECEPTACLE HOUSINGS AND POSITION LOCKS MAY BE ORDERED SEPARATELY.
 RECEPTACLE HOUSING P/N: 794153-1
 POSITION LOCK P/N: 794145-3
3. TERMINAL MUST BE INSERTED INTO RECEPTACLE HOUSING SO THAT THE TOP OF THE WIRE AND INSULATION CRIMPS FACE THE INTERIOR OF THE HOUSING. INSTALL POSITION LOCK AFTER FULLY SEATING ALL TERMINATED AMP-DUAC™ SOCKET CONTACTS AND KEYING RECEPTACLES. POSITION LOCK MAY BE INSTALLED IN EITHER SIDE OF THE RECEPTACLE HOUSING.
4. DIMENSIONS IN BRACKETS ARE IN INCHES.

RECEPTACLE HOUSING
 (P/N 794153-1)

3
 POSITION LOCK
 (P/N 794145-3)



794319-1
 PART NUMBER

THIS DRAWING IS A CONTROLLED DOCUMENT.		DMN R. VESTAL 9-09-97	REVISIONS	
DIMENSIONS: mm		CHK R. SWING 9-09-97	DESCRIPTION	DATE
TOLERANCES UNLESS OTHERWISE SPECIFIED:		APVD C. CASH 9-09-97	108-1646	14AUG2018
0 PLC ± -	1 PLC ± 0.2[01]	NAME	KIT, BULK, RECEPTACLE HOUSING AND POSITION LOCK, 6 CIRCUIT, AMP-DUAC/PL	
2 PLC ± 0.13[005]	3 PLC ± -	APPLICATION SPEC	114-6067	
4 PLC ± -	ANGLES ± 0° 30'	SIZE	A1	00779
MATERIAL PBT.	FINISH -	WEIGHT	0	794319
		CUSTOMER DRAWING	SCALE	4:1
		SHEET		1 of 1
		REV		F

单击下面可查看定价，库存，交付和生命周期等信息

[>>TE Connectivity\(泰科\)](#)