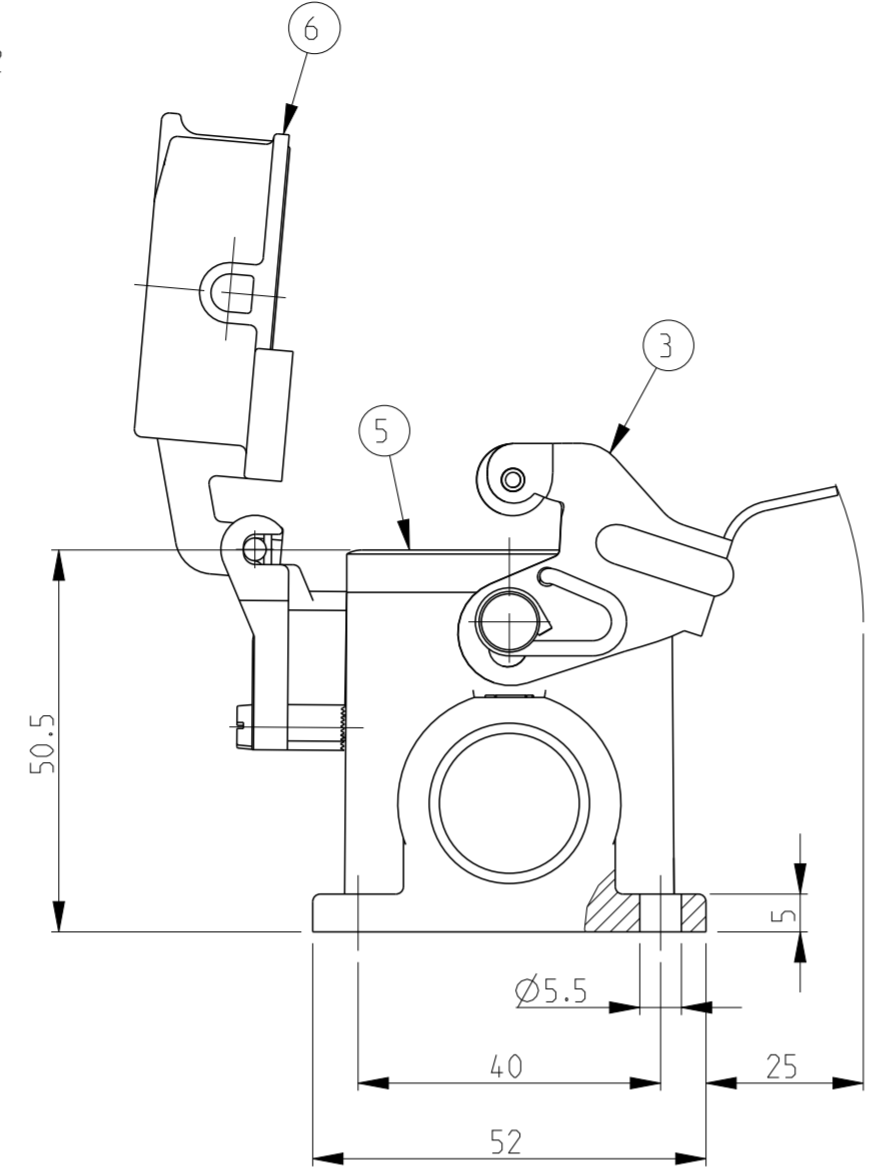
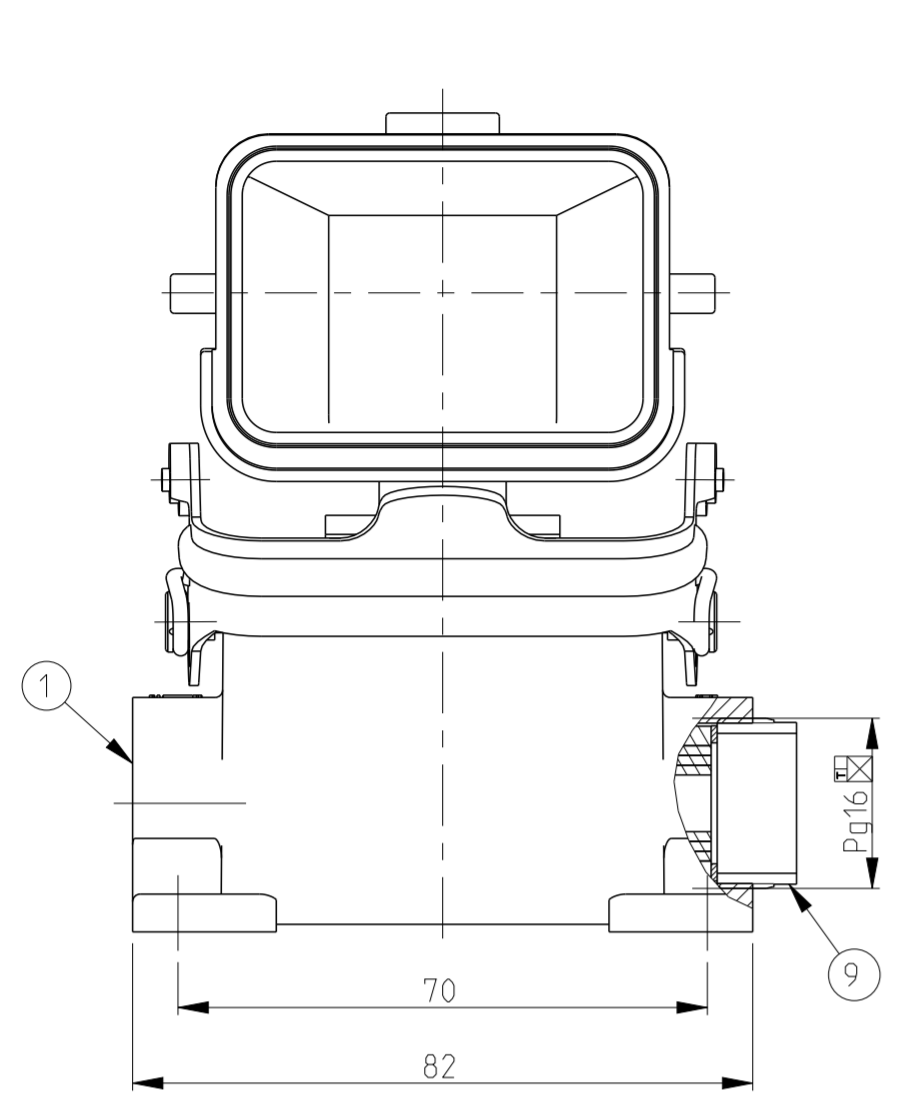


THIS DRAWING IS UNPUBLISHED. RELEASED FOR PUBLICATION .1997
 © COPYRIGHT 1997 BY - ALL RIGHTS RESERVED.

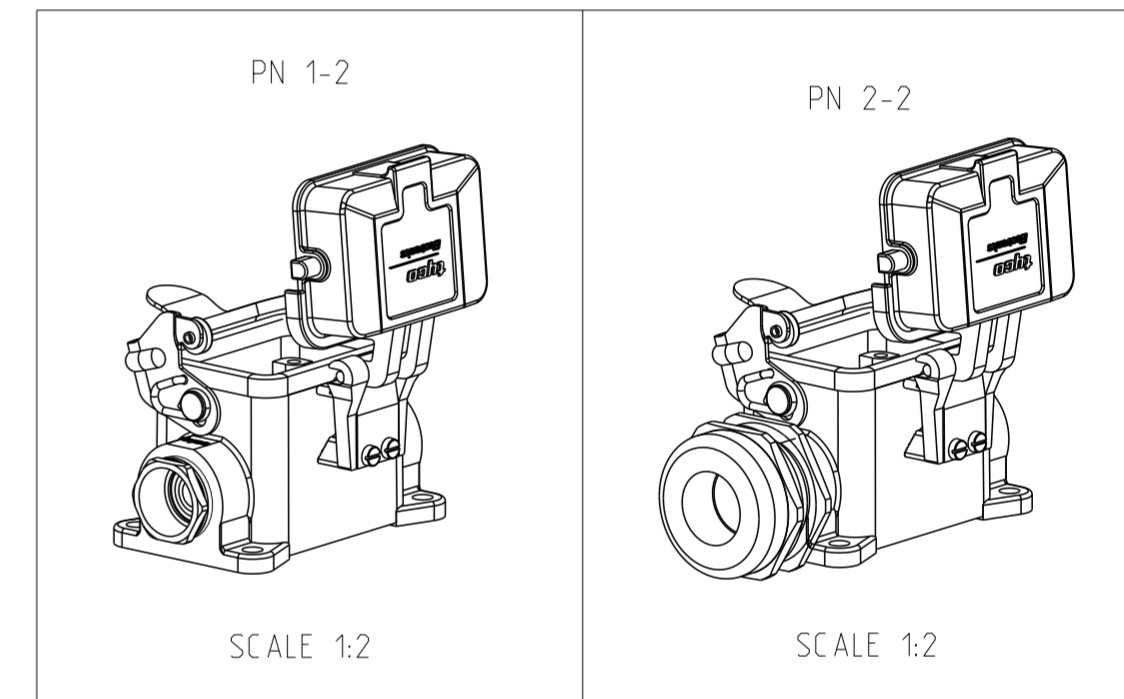
| REVISIONS | | | | |
|-----------|-----|---------------------------|-----------|----------|
| P | LTR | DESCRIPTION | DATE | DWN APVD |
| A3 | | REVISED PER ECR-16-016768 | 14AUG2017 | NCS MKO |

PN 1-2

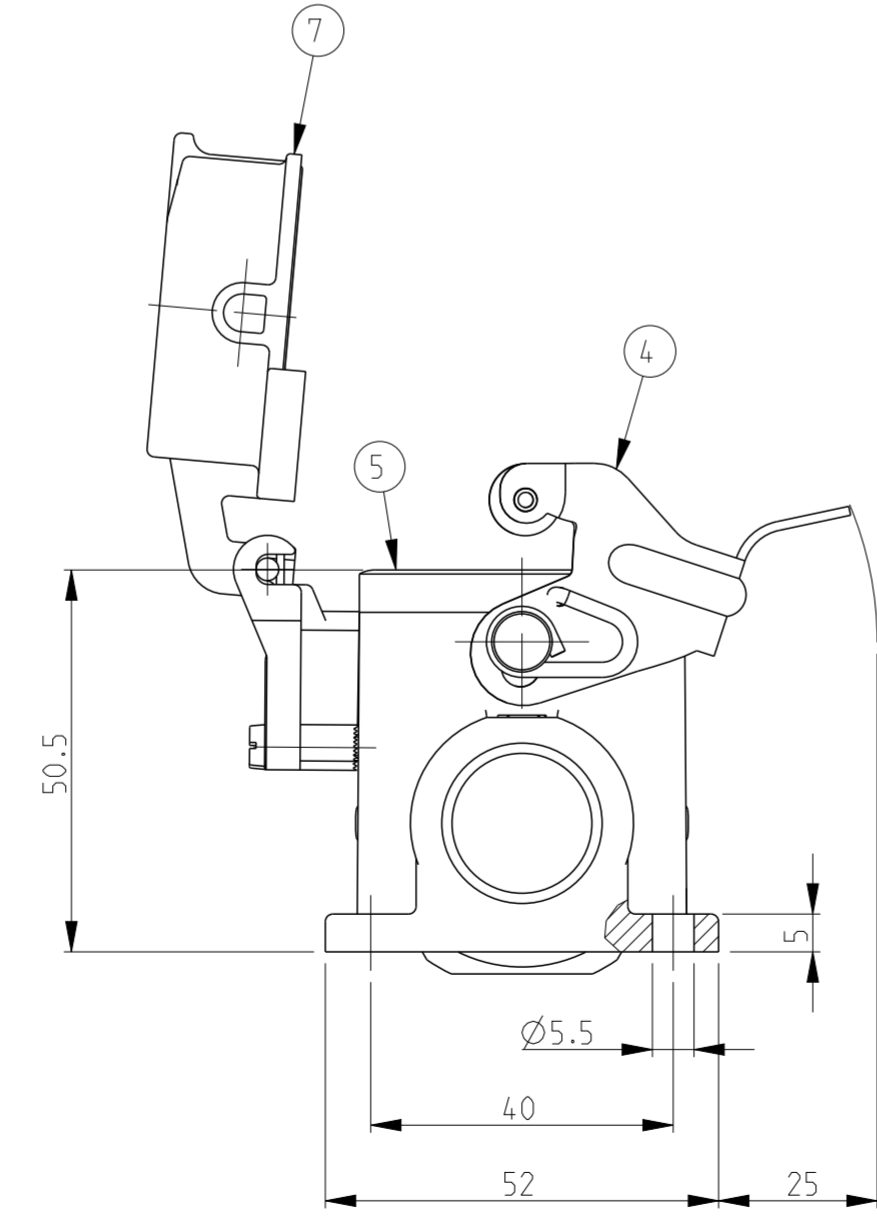
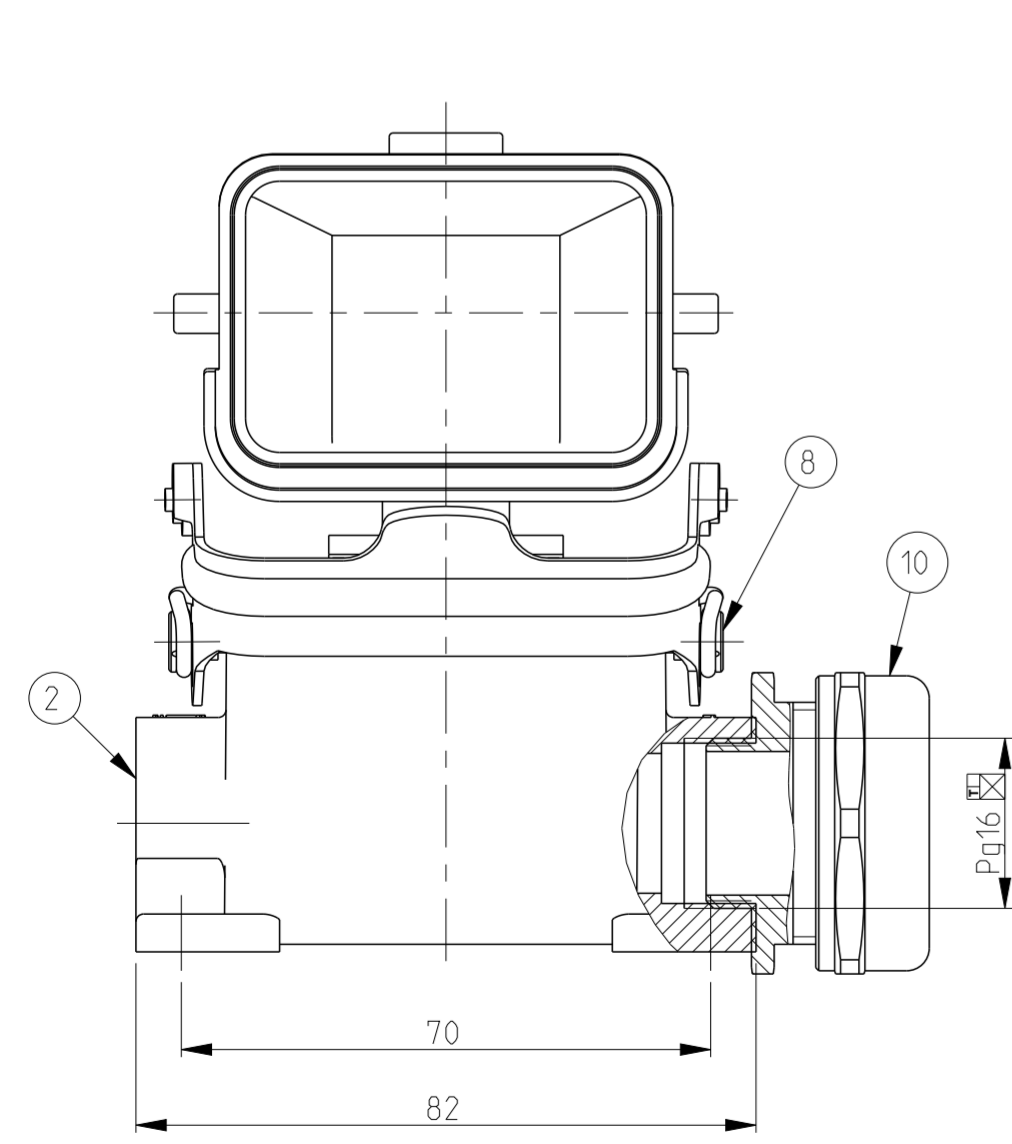


NOTES.

- 1 Material:Housing:Aluminium Diecasting Alloy
- 2 Finish:Hammer scales varnish or powder coated correction protection
- 3 Varnish on the inside not necessary
- 4 Packaging Quantity 5 Pieces in a box



PN 2-2



OBSOLETE

| QTY | DESCRIPTION | MATERIAL | SURFACE | COLOR | ITEM NO | REMARKS |
|-----|---|-----------------|---------------|----------------|---------|---------|
| 1 | Gland Fitting round | Brass | Nickel plated | | 10 | |
| 1 | Cable fitting round | Brass | Nickel plated | | 9 | |
| 2 | Clip bolt | Stainless steel | Blank | | 8 | |
| 1 | Cover finished product | Aluminium | | Black RAL 9005 | 7 | |
| 1 | Cover finished product | Aluminium | | Grey RAL 7001 | 6 | |
| 1 | Profile seal | Neoprene | | Black RAL 9005 | 5 | |
| 1 | LB-Side clip finished product | Stainless steel | Blank | | 4 | |
| 1 | LB-Side clip finished product | Steel | Zinc plated | Blue | 3 | |
| 1 | Surface mounted housing side entry HB6 1xPg16 | Aluminium | | Black RAL 9005 | 2 | |
| 1 | Surface mounted housing side entry HB6 1xPg16 | Aluminium | | Grey RAL 7001 | 1 | |

ORDERING TEXT
 HB.6.SGD-LB.1.16
 HB-K.6.SGD-LB.1.16

THIS DRAWING IS A CONTROLLED DOCUMENT.

DWN Schneider 09.03.1999
 CHK Schweiger 09.03.1999
 APVD -

STE TE Connectivity

NAME Surface mounted housing side entry Assy HB.6.SGD-LB.1.16

PRODUCT SPEC 108-74009
 APPLICATION SPEC 114-74001

SIZE A2 CAGE CODE 00779 DRAWING NO C-1102252 RESTRICTED TO -

MATERIAL material_2 FINISH finish_spec_2 WEIGHT - SCALE 1:1 SHEET 1 OF 1 REV A3

CUSTOMER DRAWING

单击下面可查看定价，库存，交付和生命周期等信息

[>>TE Connectivity\(泰科\)](#)