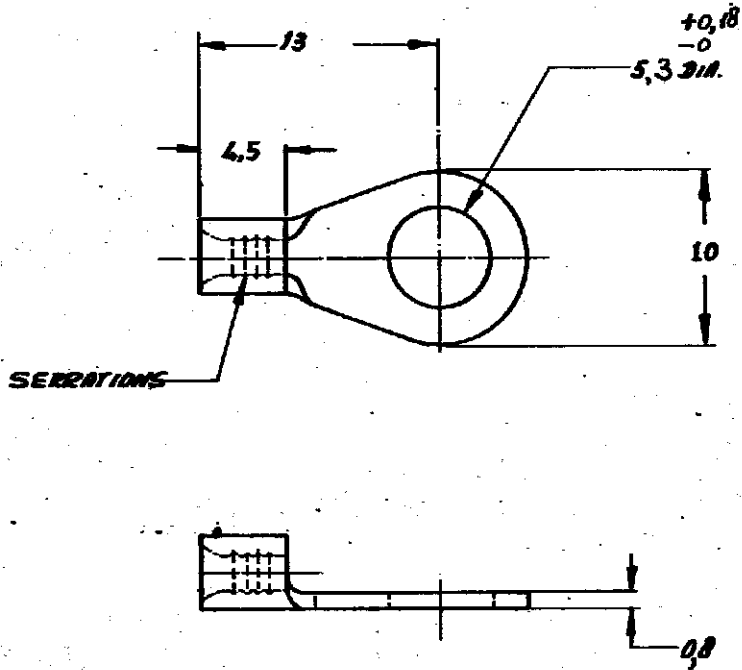


DRAWING MADE IN AMERICAN PROJECTION

NUMBER C-165294-E



DIMENSIONS IN MM. DO NOT SCALE PRINT

CUSTOMER COPY FOR REFERENCE ONLY

©1967 BY AMP-HOLLAND N.V. ALL RIGHTS RESERVED A-MP PRODUCTS COVERED BY PATENTS AND/OR PATENTS PENDING.



AMP-HOLLAND N.V.
HERTOGENBOSCH
HOLLAND

165294 COPPER TINPLATED

WIRE RANGE 05-1 INSUL. RANGE H TYPE - DIN - SOLID STRAND

ORDER NO. MATERIAL PLATING

SCALE H LOC H SIZE A NO C-165294-E

DR R. BONDY 23/15/67 DATE DE C. Y. BONDY 25/15/67 DATE
CHK DATE APP

NAME RINGTONGUE stud. M5

AMP 1282

单击下面可查看定价，库存，交付和生命周期等信息

[>>TE Connectivity\(泰科\)](#)