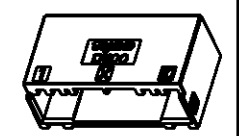
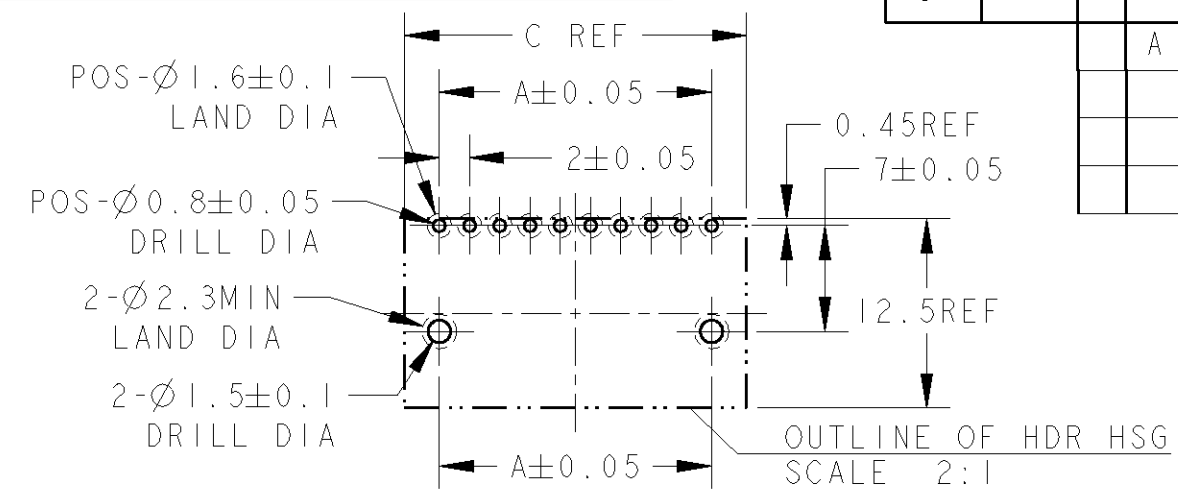
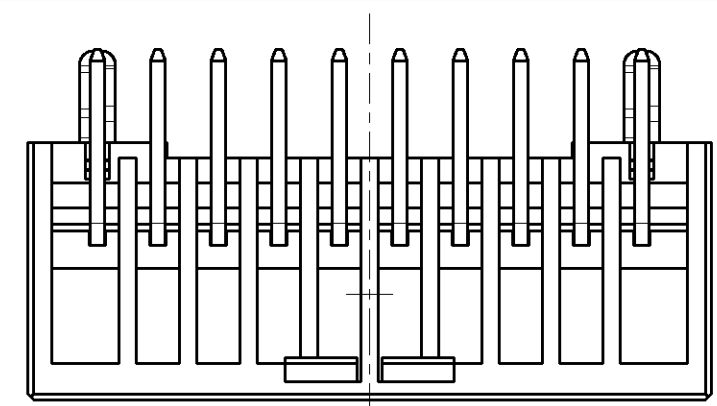
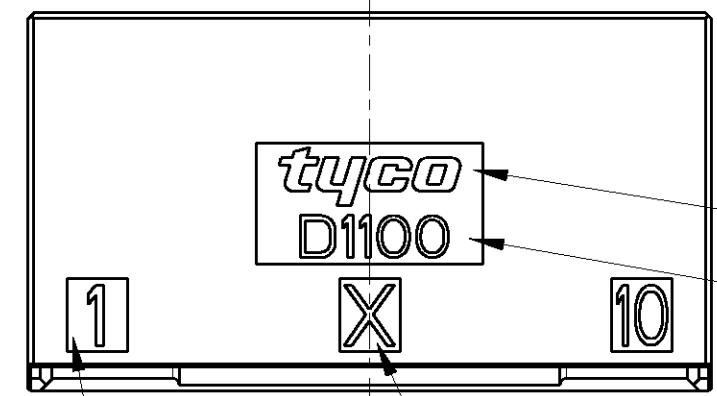


THIS DRAWING IS UNPUBLISHED. RELEASED FOR PUBLICATION 20  
 © COPYRIGHT 20 BY TYCO ELECTRONICS CORPORATION. ALL RIGHTS RESERVED.

LOC	DIST	REVISIONS					
		P	LTR	DESCRIPTION	DATE	DWN	APVD
J		A		RELEASED	30JUL2007	M.M	D.M



SCALE 1:1

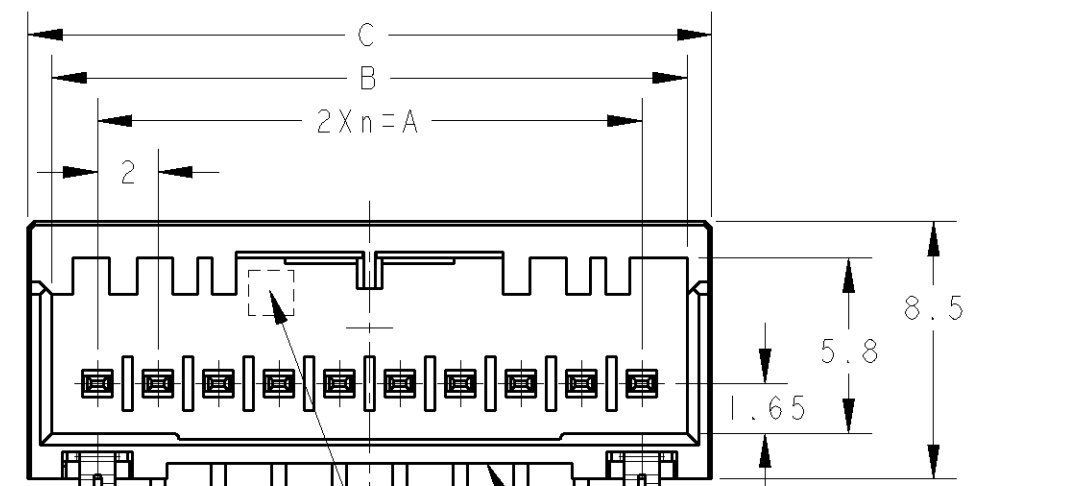


tyco  
D1100  
1  
X  
10  
LOGO MARK  
SERIES CODE

CIRCUIT NO KEYING

推奨基板取付寸法 : コネクタ搭載面(非累積公差)  
 PC基板厚 : 1.0~1.6±0.1  
 RECOMMEND PC BOARD HOLE PATTERN : CONNECTOR MOUNT SIDE (NOT ACCUMULATE TOLERANCE)  
 PC BOARD THICKNESS : 1.0~1.6±0.1

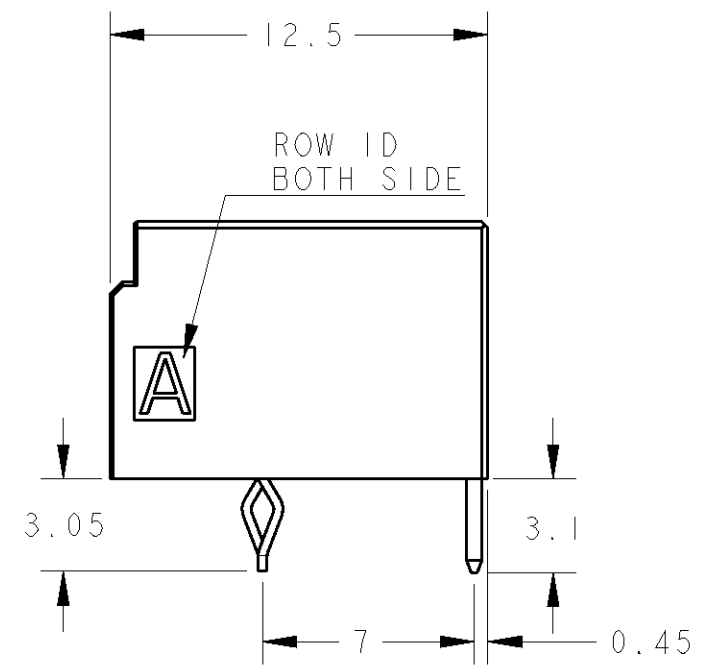
- △1. 材料:ハウジング:ガラス入り熱可塑性ポリエステル樹脂(94V-0)、色:黒  
 コンタクト:銅合金  
 リテンションレグ:錫めっき済銅合金
- △2. めっき(全面):ニッケル下地めっき1.27µm以上の上に錫めっき1.0µm以上
- 3. Y KEY形状は、X KEY形状と左右対称
- 4. 文字の形状、大きさ、および位置については、大略を示すものであり、詳細を示すものではありません。



RETENTION LEG  
 HDR CONTACT  
 HDR HSG

CAVITY MARK (ALPHABET:CAPITAL LETTER)

10POS(X-KEY):1-1939761-0



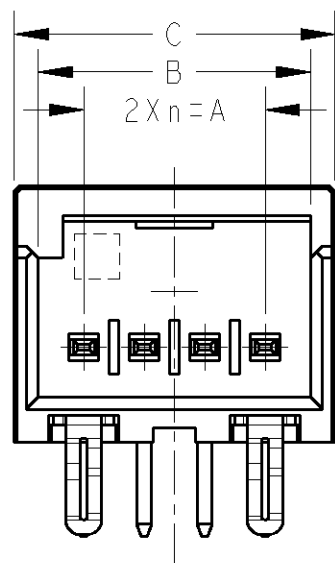
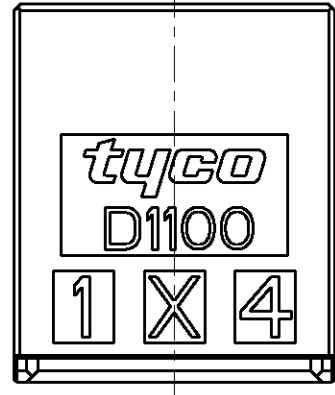
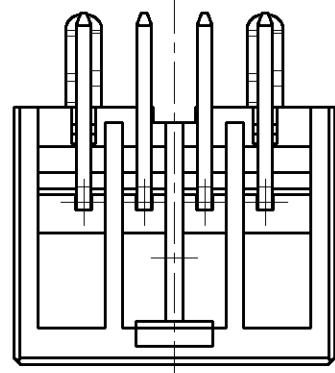
- △1. MATERIAL:HOUSING:GLASS FILED THERMO PLASTIC POLYESTER(94V-0), COLOR:BLACK  
 CONTACT:COPPER ALLOY  
 RETENTION LEG:PRE-TIN COPPER ALLOY
- △2. FINISH(ALL OVER):TIN PLATING 1.0µmMIN  
 AFTER NICKEL PLATING 1.27µmMIN.
- 3. THE KEYING ARRANGEMENT OF "Y" IS SYMMETRIC WITH "X".
- 4. THE SHAPE, SIZE AND POSITION OF THE CHARACTER SHOW THE OUTLINE. THEY DON'T SHOW DETAILS.

10	Y	9	18.0	21.0	22.6	2-1939761-0
10	X	9	18.0	21.0	22.6	1-1939761-0
4	Y	3	6.0	9.0	10.6	2-1939761-4
4	X	3	6.0	9.0	10.6	1-1939761-4
POS	KEY	n	A	B	C	PART NO

THIS DRAWING IS A CONTROLLED DOCUMENT FOR TYCO ELECTRONICS CORPORATION. IT IS SUBJECT TO CHANGE AND THE CONTROLLING ENGINEERING ORGANIZATION SHOULD BE CONTACTED FOR THE LATEST REVISION.		DWN M. MAEBASHI 30JUL2007	Tyco Electronics Tyco Electronics AMP K.K. Kawasaki, Japan	
DIMENSIONS: 単位: 毫 mm		CHK T. KUDO 30JUL2007	NAME 名称 DYNAMIC D1100S 2.0mmPITCH HDR ASSY (H-TYPE) TIN-PLATE 2-10POS	
TOLERANCES UNLESS OTHERWISE SPECIFIED: 一般公差 ±0.3, ±3° 0-PLC ± 1-PLC ±0.5 2-PLC ±0.13 3-PLC ±0.013 4-PLC ±0.0001 ANGLES ±		APVD D. MITSUGI 30JUL2007	PRODUCT SPEC 製品規格 108-78298	
MATERIAL 材料		APPLICATION SPEC 取付適用規格 114-5377	DRAWING NO 番号 A300779C-1939761	
FINISH 仕上		WEIGHT	RESTRICTED TO	
CUSTOMER DRAWING		SCALE 尺度 4:1	SHEET 1 OF 2 REV A	

THIS DRAWING IS UNPUBLISHED. RELEASED FOR PUBLICATION 20  
 © COPYRIGHT 20 BY TYCO ELECTRONICS CORPORATION. ALL RIGHTS RESERVED.

LOC	DIST	REVISIONS					
		P	LTR	DESCRIPTION	DATE	DWN	APVD
J				SEE SHEET 1 OF 2			



4POS(X-KEY): I-1939761-4

<small>THIS DRAWING IS A CONTROLLED DOCUMENT FOR TYCO ELECTRONICS CORPORATION          IT IS SUBJECT TO CHANGE AND THE CONTROLLING ENGINEERING ORGANIZATION          SHOULD BE CONTACTED FOR THE LATEST REVISION.</small>		DWN M. MAEBASHI 30JUL2007 CHK T. KUDO 30JUL2007 APVD D. MITSUGI 30JUL2007	Tyco Electronics AMP K.K. Kawasaki, Japan
DIMENSIONS: mm	TOLERANCES UNLESS OTHERWISE SPECIFIED: 0 PLC ± 1 PLC ± 2 PLC ± 3 PLC ± 4 PLC ± ANGLES ±	PRODUCT SPEC 108-78298 APPLICATION SPEC 114-5377 WEIGHT	NAME DYNAMIC D1100S 2.0mmPITCH HDR ASSY (H-TYPE) TIN-PLATE 2-10POS
MATERIAL	FINISH	CUSTOMER DRAWING	SIZE A3 CAGE CODE 00779 DRAWING NO C-1939761 RESTRICTED TO
		SCALE 4:1	SHEET 2 OF 2 REV A

单击下面可查看定价，库存，交付和生命周期等信息

[>>TE Connectivity\(泰科\)](#)