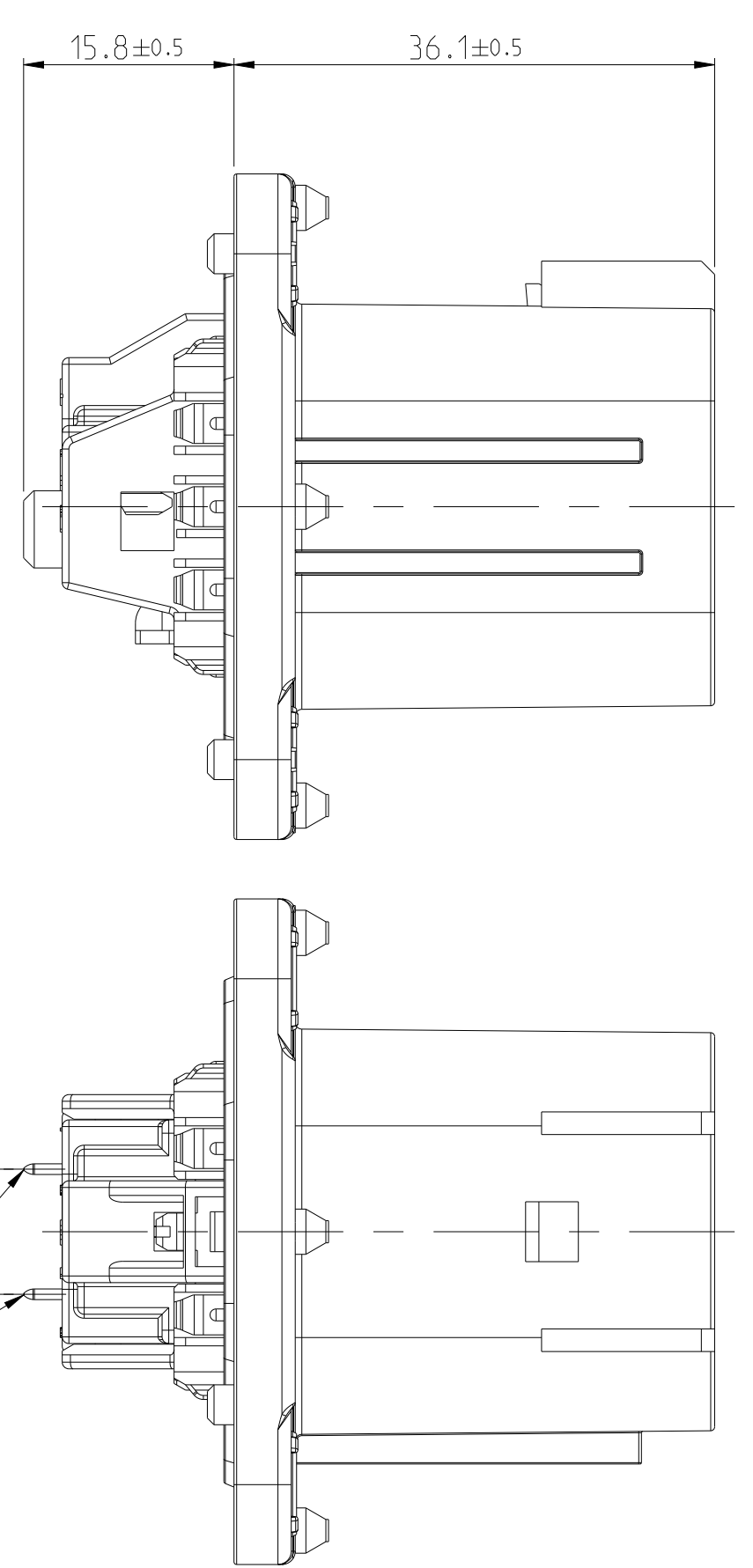
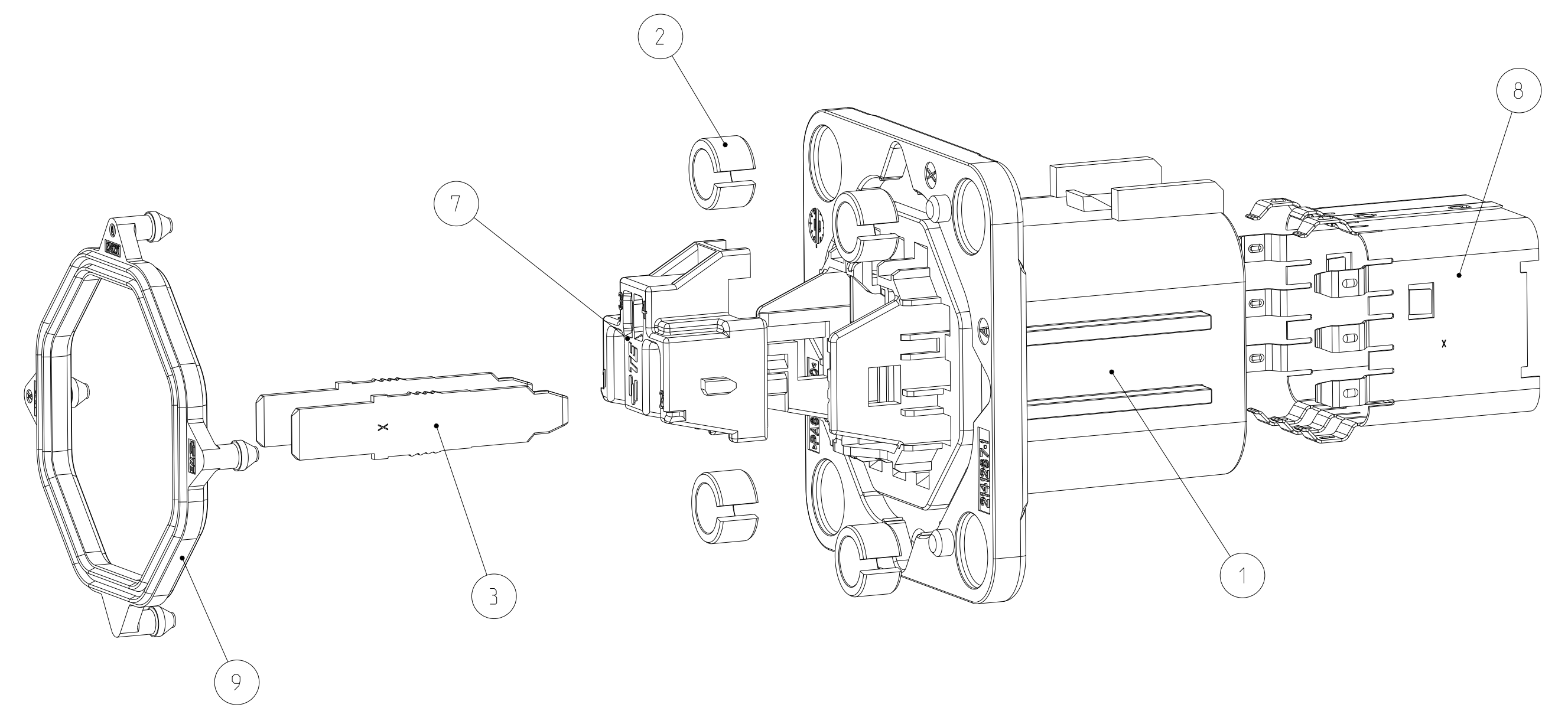
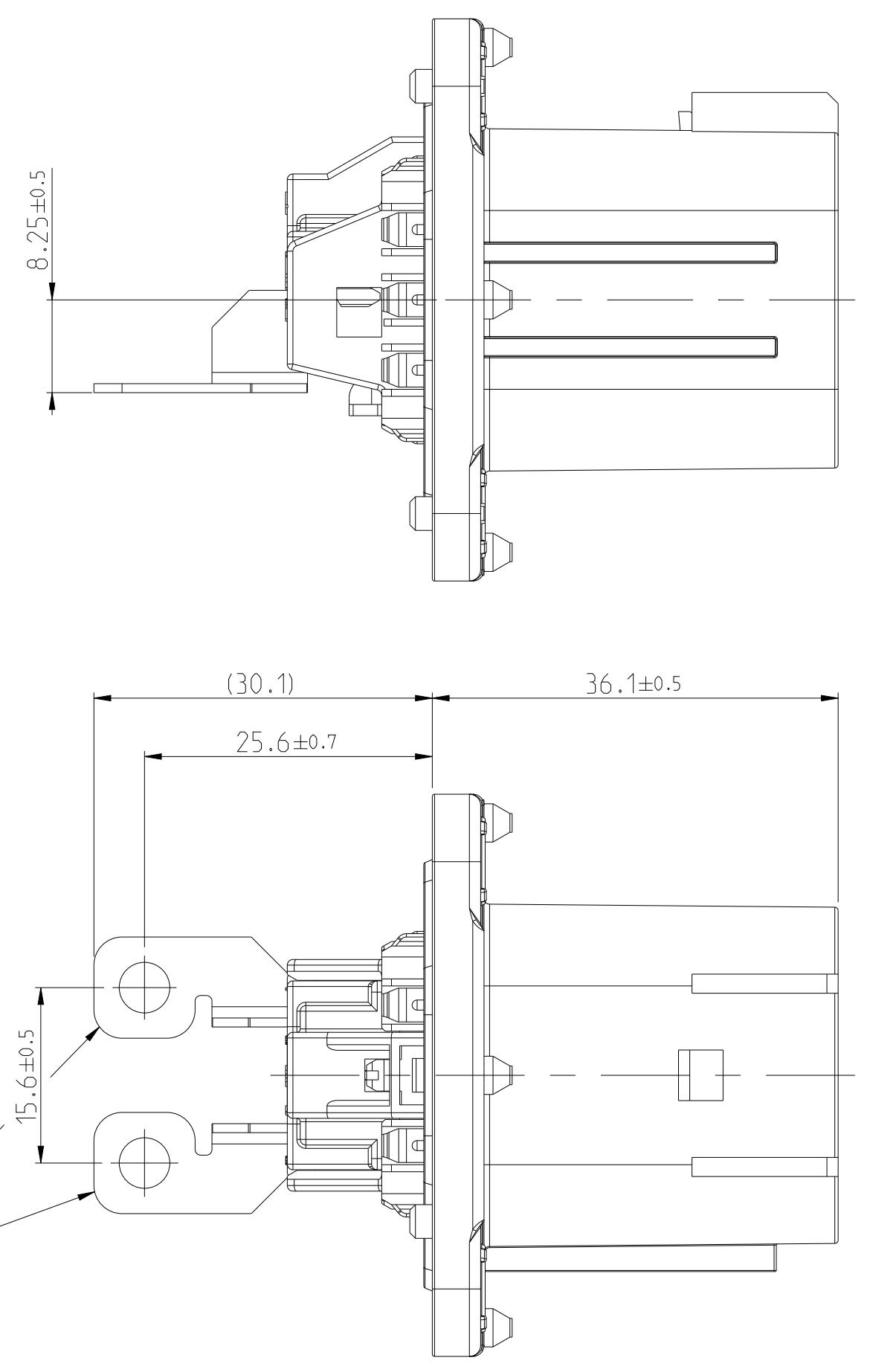
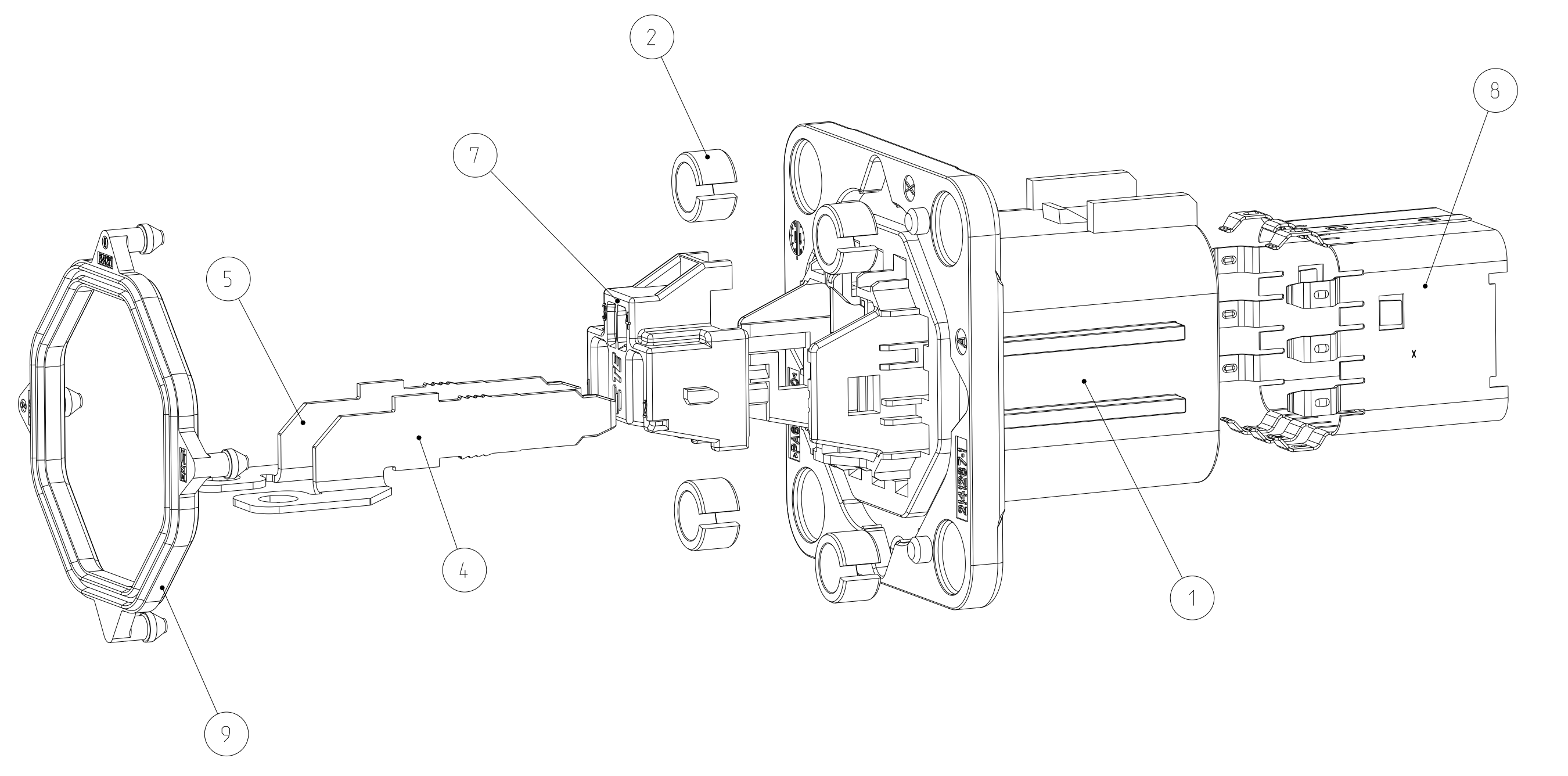


VARIANT 0- -X
Variante

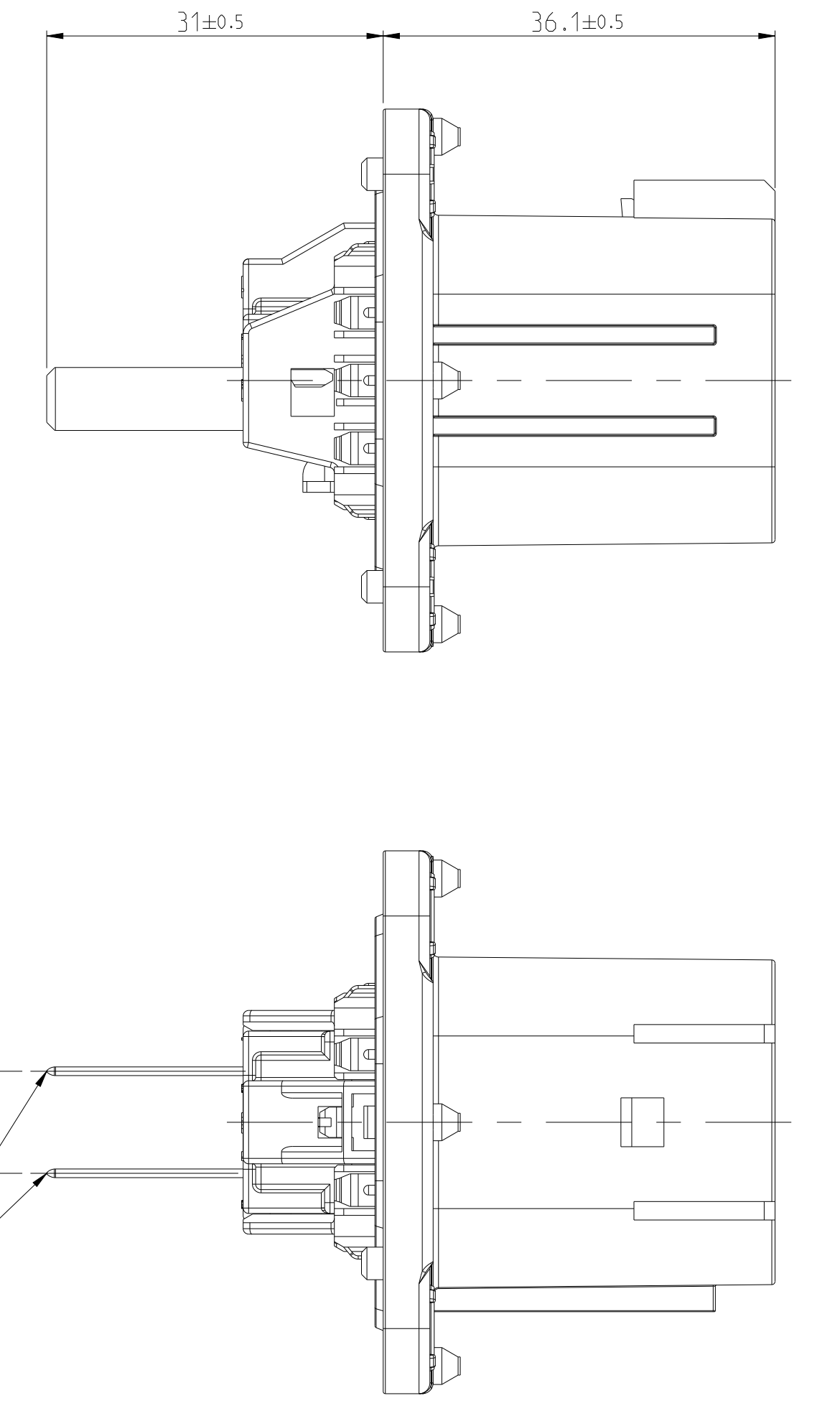
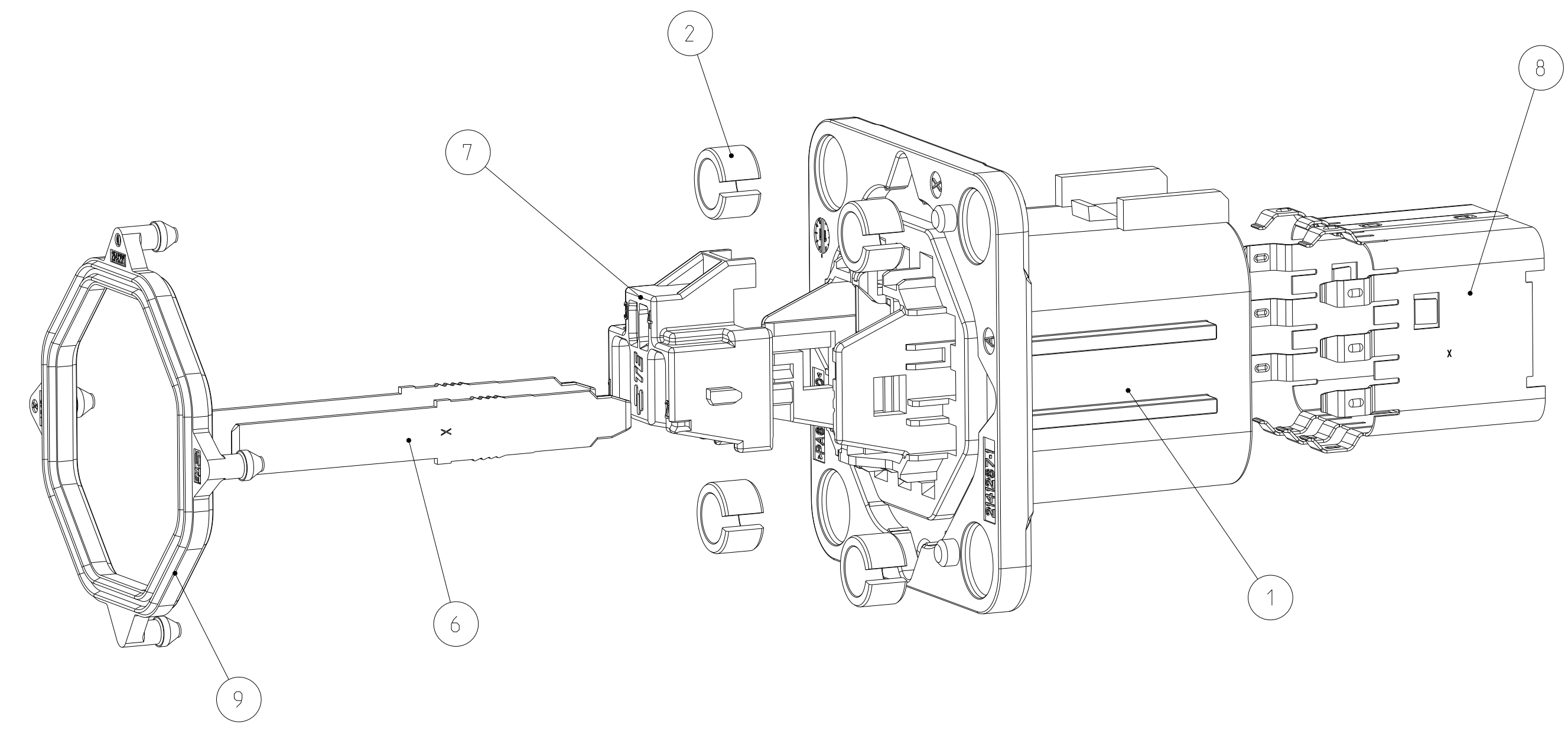


MATCHING FEMALE CONTACT: PCB 6.3 TERMINAL, PN 1719102-1
Passender Gegenkontakt:

VARIANT 1- -X
Variante

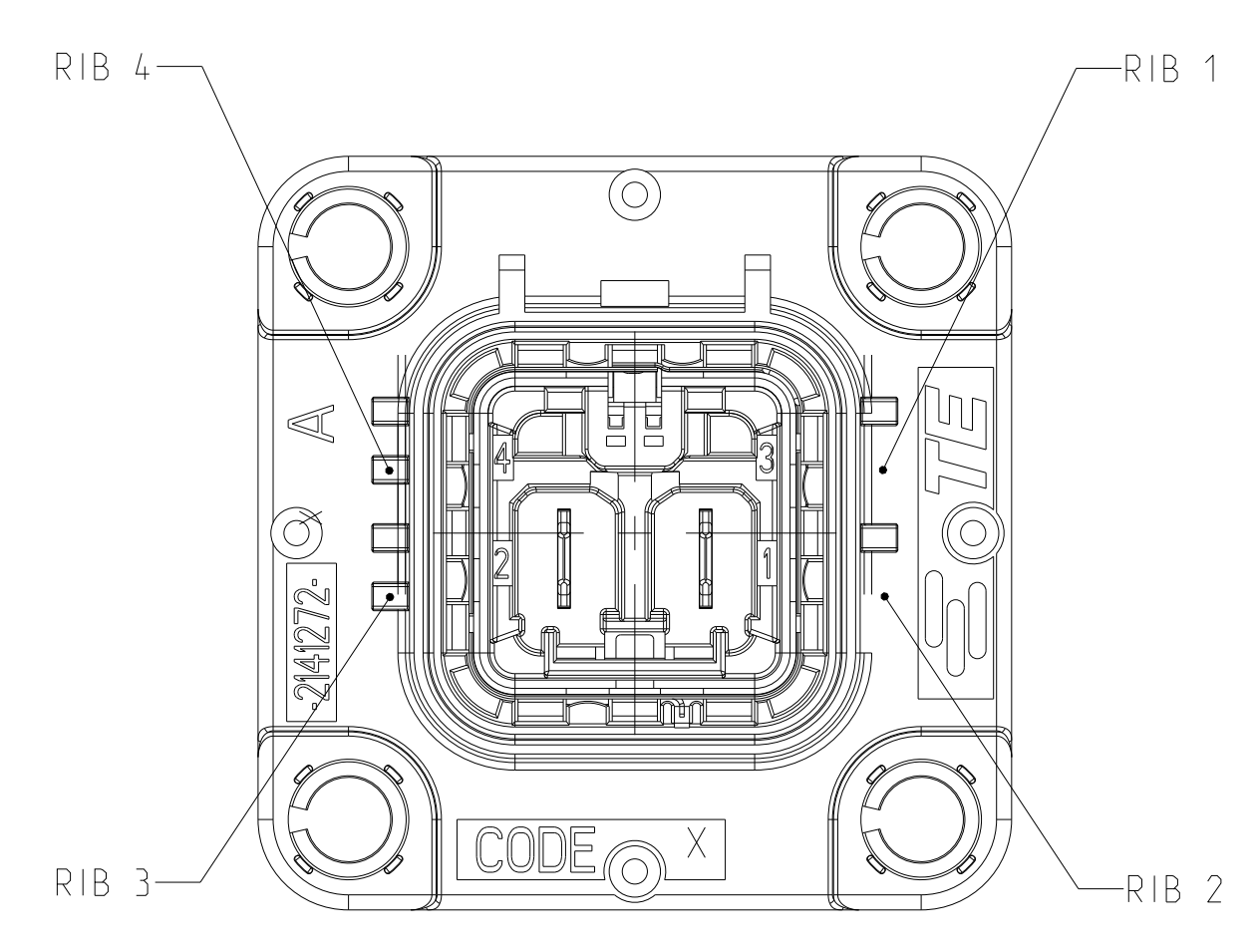


VARIANT 2- -X
Variante



MATCHING FEMALE CONTACT: PCB 6.3 TERMINAL, PN 1719102-1
Passender Gegenkontakt:

CODINGS



CODING	RIB 1	RIB 2	RIB 3	RIB 4
A	-	-	X	X
B	-	X	X	-
C	X	-	X	-
D	-	X	-	X
E	X	-	-	X
F	X	X	-	-

- THE GERMAN TEXT IS BINDING
Der deutsche Text ist verbindlich
- PACKING: TRAY
Verpackung: Tray
- SUITABLE INTERLOCK-CONTACTS: 1418760-3; 5-1418758-3; 2141864-3
Passende Interlock-Kontakte: 1418760-3; 5-1418758-3; 2141864-3
- SUBJECT TO TECHNICAL CHANGES
TE DOESN'T COMPENSATE FOR FOLLOW-UP-COSTS DUE TO TECHNICAL CHANGES
Technische Änderungen vorbehalten
TE kommt nicht fuer Folgekosten durch Aenderungen auf
- UNVERIFIED TAB GEOMETRY, APPLICATION AND VERIFICATION
IN CUSTOMERS RESPONSIBILITY
Unverifizierte Tabanschlussgeometrie, Anwendung und Verifikation
im Verantwortungsbereich des Kunden
- CODINGS SEE INTERFACE DRAWINGS
114-94036 AND 114-94037
Kodierungen siehe Schnittstellenzeichnungen
114-94036 und 114-94037

SPECIFICATIONS
Spezifikationen

DESCRIPTION	REF. NO.
MATING CONNECTOR: 2POS. HV. REC HSG. ASSY Gegenstecker: 2pol. HV. Steckergehaeuse, Zusammenbau	114-94100-1
INTERFACE DRAWING 2POS. HV 90/180Deg Schnittstellenzeichnung 2pol. HV 90/180Grad	114-94036
INTERFACE DRAWING, ADAPTER PLATE, 2POS HV 90/180deg-CATEGORY 1 Ausfuhrungsvorschrift, Aufnahmeplatte, 2pol HV 90/180Grad-Kategorie 1	114-94037
PRODUCT-SPEC. Produktspezifikation	108-94264
APPLICATION-SPEC. Verarbeitungsspezifikation	114-94100

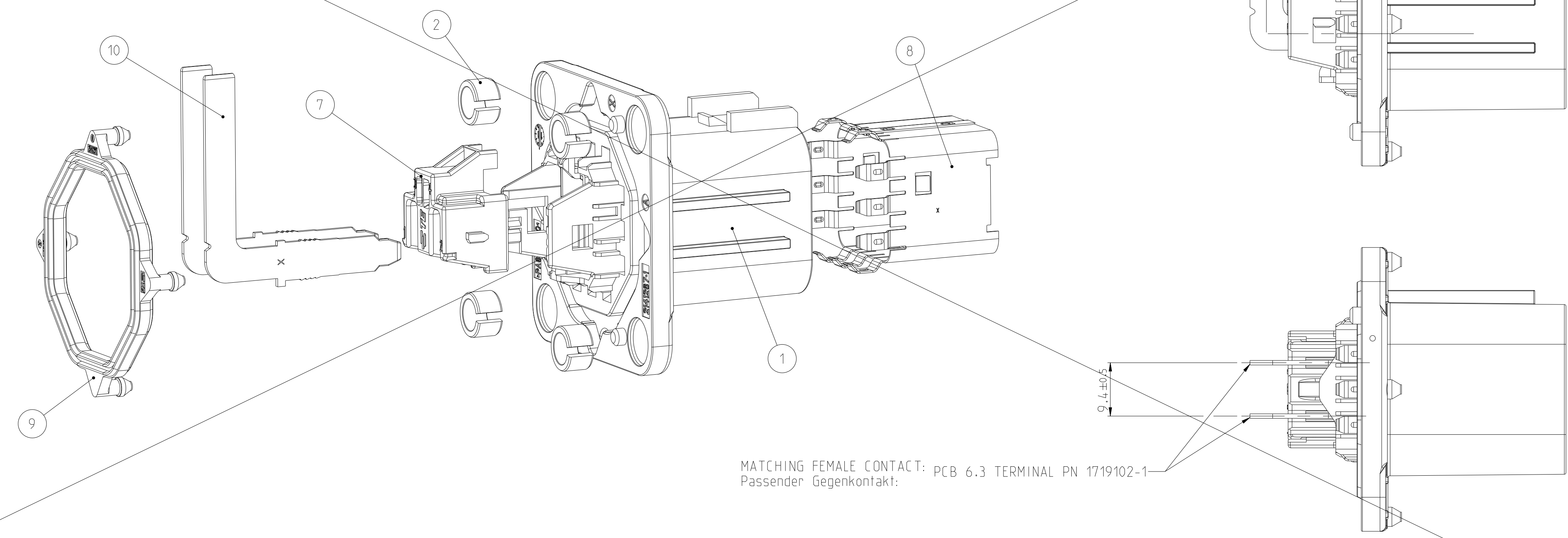
COD.	DESCRIPTION - ASSY	WEIGHT (g)	TE ORDER-NO.	REV	QTY	DESCRIPTION - PART	MATERIAL	SURFACE	ITEM
A	2 POS 90DEG TAB HEADER ASSY HV CONNECTOR	50	4-2141272-1	A	1	TAB 6.3/5.8x0.8mm (L-SHAPE TERMINAL)	CuSn	Ni/Ag	10
					1	AXIAL SEAL	SILICONE	BROWN	9
					1	EMC SHIELD	CuNiSi	Ni/Ag	8
					1	SECONDARY LOCK	PA66GF30	BLACK	7
					4	COMPRESSION DELIMITER	STEEL	ZnNi	2
					1	2POS. MIXED. HEADER HSG 180 DEG	PA66GF30	ORANGE	1
F	2 POS 180DEG TAB HEADER ASSY HV CONNECTOR	43	2-2141272-6	B	1	AXIAL SEAL	SILICONE	BROWN	9
					1	EMC SHIELD	CuNiSi	Ni/Ag	8
					1	SECONDARY LOCK	PA66GF30	BLACK	7
					2	TAB 6.3/5.8x0.8mm	CuSn	Ni/Ag	6
					4	COMPRESSION DELIMITER	STEEL	ZnNi	2
					1	2POS. MIXED. HEADER HSG 180 DEG	PA66GF30	ORANGE	1
A	2 POS 180DEG TAB HEADER ASSY HV CONNECTOR	43	2-2141272-1	B	1	AXIAL SEAL	SILICONE	BLACK	9
					1	EMC SHIELD	CuNiSi	Ni/Ag	8
					1	SECONDARY LOCK	PA66GF30	BLACK	7
					2	TAB 6.3/5.8x0.8mm	CuSn	Ni/Ag	6
					4	COMPRESSION DELIMITER	STEEL	ZnNi	2
					1	2POS. MIXED. HEADER HSG 180 DEG	PA66GF30	ORANGE	1
F	2 POS 180DEG TAB HEADER ASSY HV CONNECTOR	44	1-2141272-6	B	1	AXIAL SEAL	SILICONE	BROWN	9
					1	EMC SHIELD	CuNiSi	Ni/Ag	8
					1	SECONDARY LOCK	PA66GF30	BLACK	7
					1	TAB 6.3x0.8. RIGHT BENDED TERMINAL	CuSn	Ni/Ag	5
					1	TAB 6.3x0.8. LEFT BENDED TERMINAL	CuSn	Ni/Ag	4
					4	COMPRESSION DELIMITER	STEEL	ZnNi	2
					1	2POS. MIXED. HEADER HSG 180 DEG	PA66GF30	ORANGE	1
A	2 POS 180DEG TAB HEADER ASSY HV CONNECTOR	44	1-2141272-1	B	1	AXIAL SEAL	SILICONE	BLACK	9
					1	EMC SHIELD	CuNiSi	Ni/Ag	8
					1	SECONDARY LOCK	PA66GF30	BLACK	7
					1	TAB 6.3x0.8. RIGHT BENDED TERMINAL	CuSn	Ni/Ag	5
					1	TAB 6.3x0.8. LEFT BENDED TERMINAL	CuSn	Ni/Ag	4
					4	COMPRESSION DELIMITER	STEEL	ZnNi	2
					1	2POS. MIXED. HEADER HSG 180 DEG	PA66GF30	ORANGE	1
F	2 POS 180DEG TAB HEADER ASSY HV CONNECTOR	41	2141272-6	B	1	AXIAL SEAL	SILICONE	BROWN	9
					1	EMC SHIELD	CuNiSi	Ni/Ag	8
					1	SECONDARY LOCK	PA66GF30	BLACK	7
					2	TAB 6.3/5.8x0.8mm	CuSn	Ni/Ag	3
					4	COMPRESSION DELIMITER	STEEL	ZnNi	2
					1	2POS. MIXED. HEADER HSG 180 DEG	PA66GF30	ORANGE	1
A	2 POS 180DEG TAB HEADER ASSY HV CONNECTOR	41	2141272-1	B	1	AXIAL SEAL	SILICONE	BLACK	9
					1	EMC SHIELD	CuNiSi	Ni/Ag	8
					1	SECONDARY LOCK	PA66GF30	BLACK	7
					2	TAB 6.3/5.8x0.8mm	CuSn	Ni/Ag	3
					4	COMPRESSION DELIMITER	STEEL	ZnNi	2
					1	2POS. MIXED. HEADER HSG 180 DEG	PA66GF30	ORANGE	1

F2

THIS DRAWING IS A CONTROLLED DOCUMENT. DATE: 08FEB2011
 DIMENSIONING AND TOLERANCING PER GPS ISO STANDARDS. CHN: VISHWA.A
 U.I. HOODING: 28APR2011
 U.I. REVISION: 01MAY2011
 PRODUCT SPEC: 2 POS 180DEG TAB HEADER ASSY HV CONNECTOR
 APPLICATION SPEC: -
 WEIGHT: -
 CUSTOMER DRAWING: A0100779 ©=2141272
 SCALE: 2:1 SHEET 1 OF 3 REF: F2

REVISIONS			
REV	DATE	DESCRIPTION	APPROVED
1	-	SEE SHEET 1	-

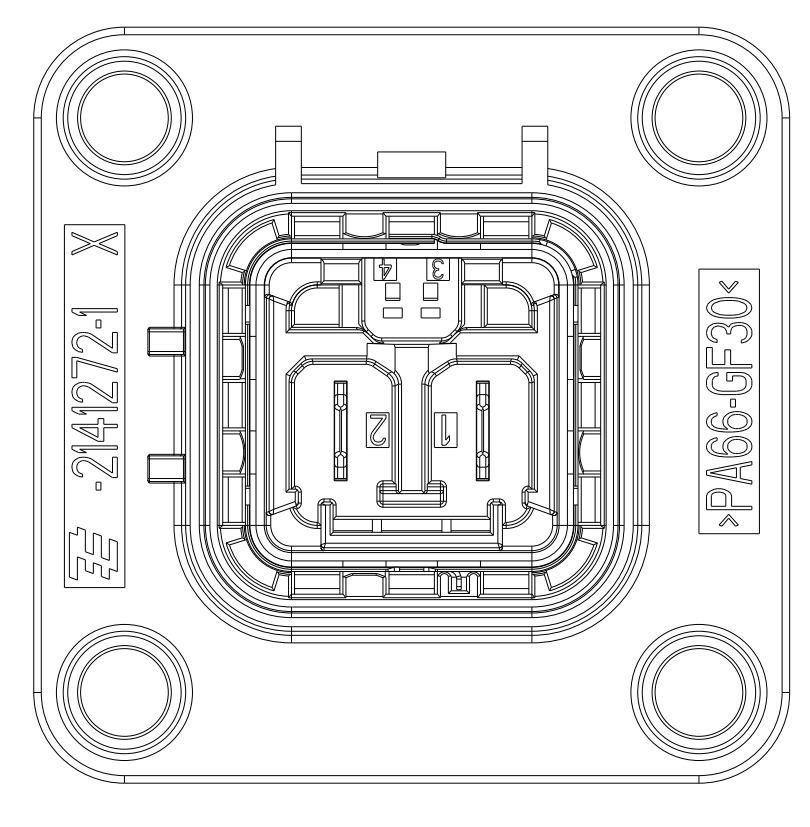
VARIANT Variante 4- -X F1



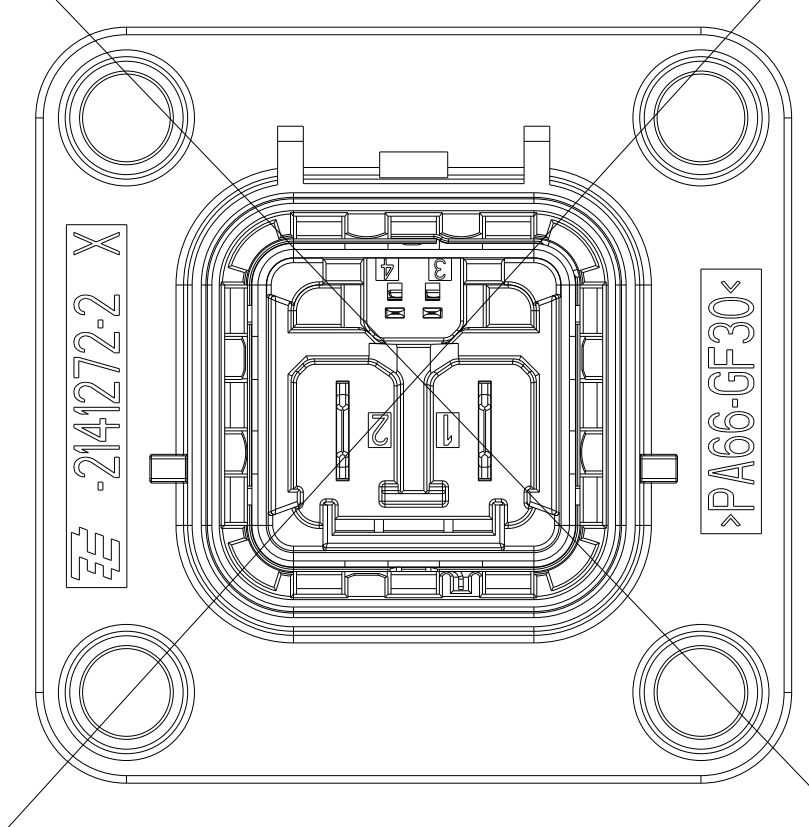
MATCHING FEMALE CONTACT: PCB 6.3 TERMINAL PN 1719102-1
Passender Gegenkontakt:

THIS DRAWING IS A CONTROLLED DOCUMENT. DIMENSIONING AND TOLERANCING PER GPS 1950 STANDARDS.		DATE: 08FEB2011 DESIGNED BY: Vishwajit A. Chaudhari DRAWN BY: U. Hoedinger CHECKED BY: T. Reisinger	REV: 28APR2011 REV: 02MAY2011	NAME: 2 POS 180DEG TAB HEADER ASSY HW CONNECTOR	SCALE: 5:1	SHEET: 2 of 3	RESTRICTED TO: -
DRAWING NO: 00779	CAGE CODE: C=2141272	MATERIAL: -	FINISH: -	WEIGHT: -	CUSTOMER DRAWING	REV: F2	

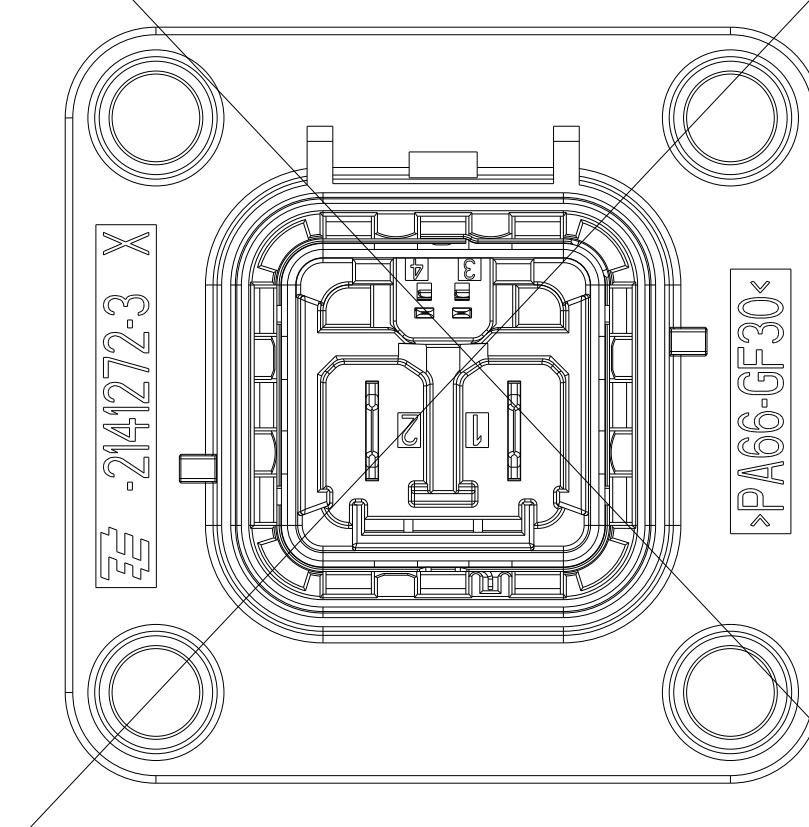
REVISIONS			
REV	DATE	DESCRIPTION	APPD
1	-	SEE SHEET 1	-



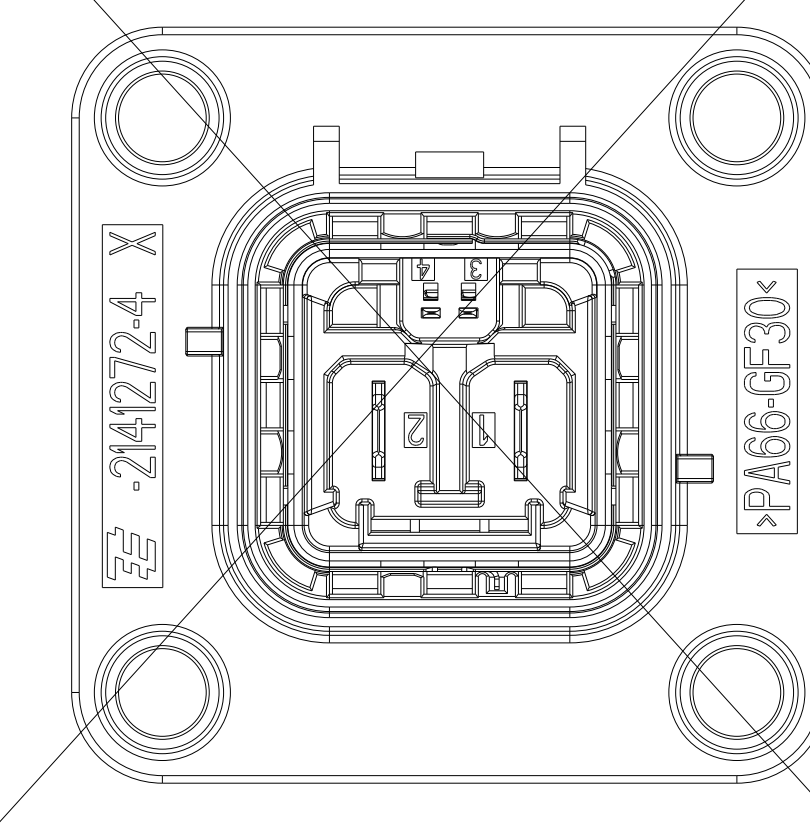
CODE A



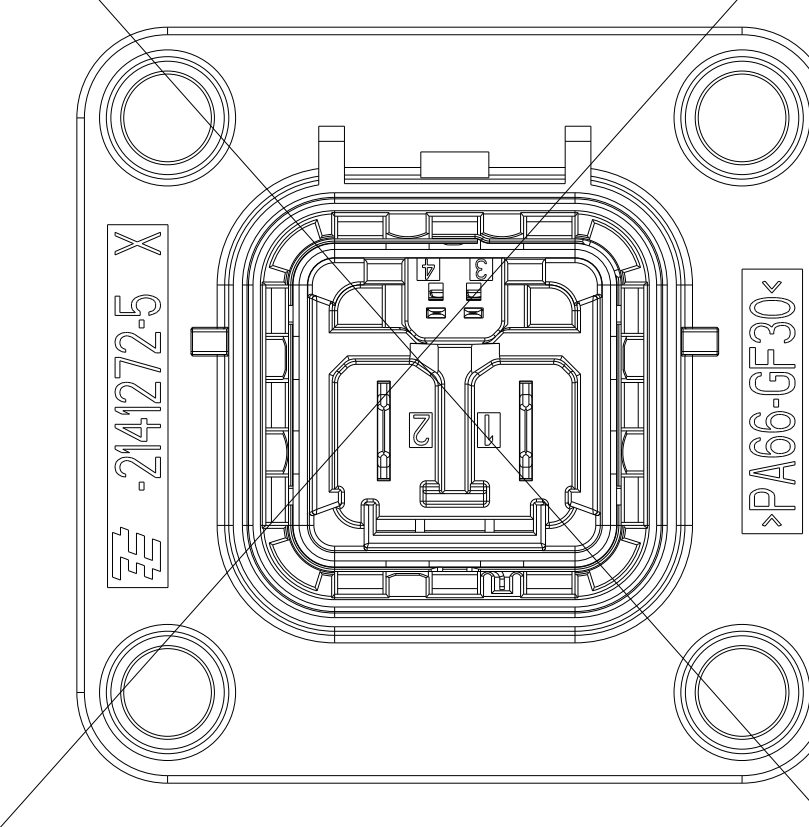
CODE B



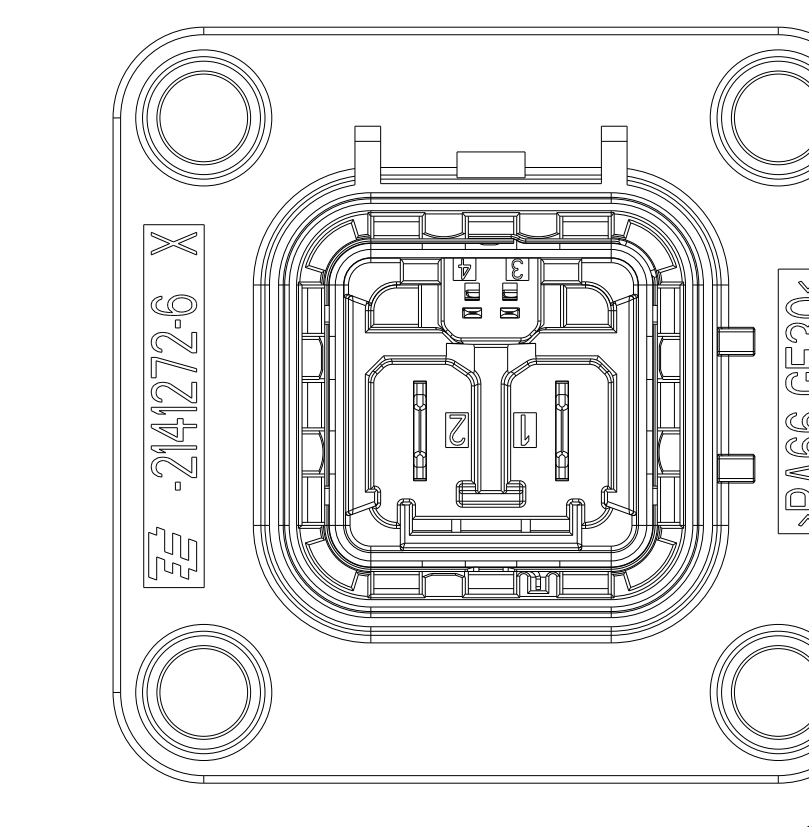
CODE C



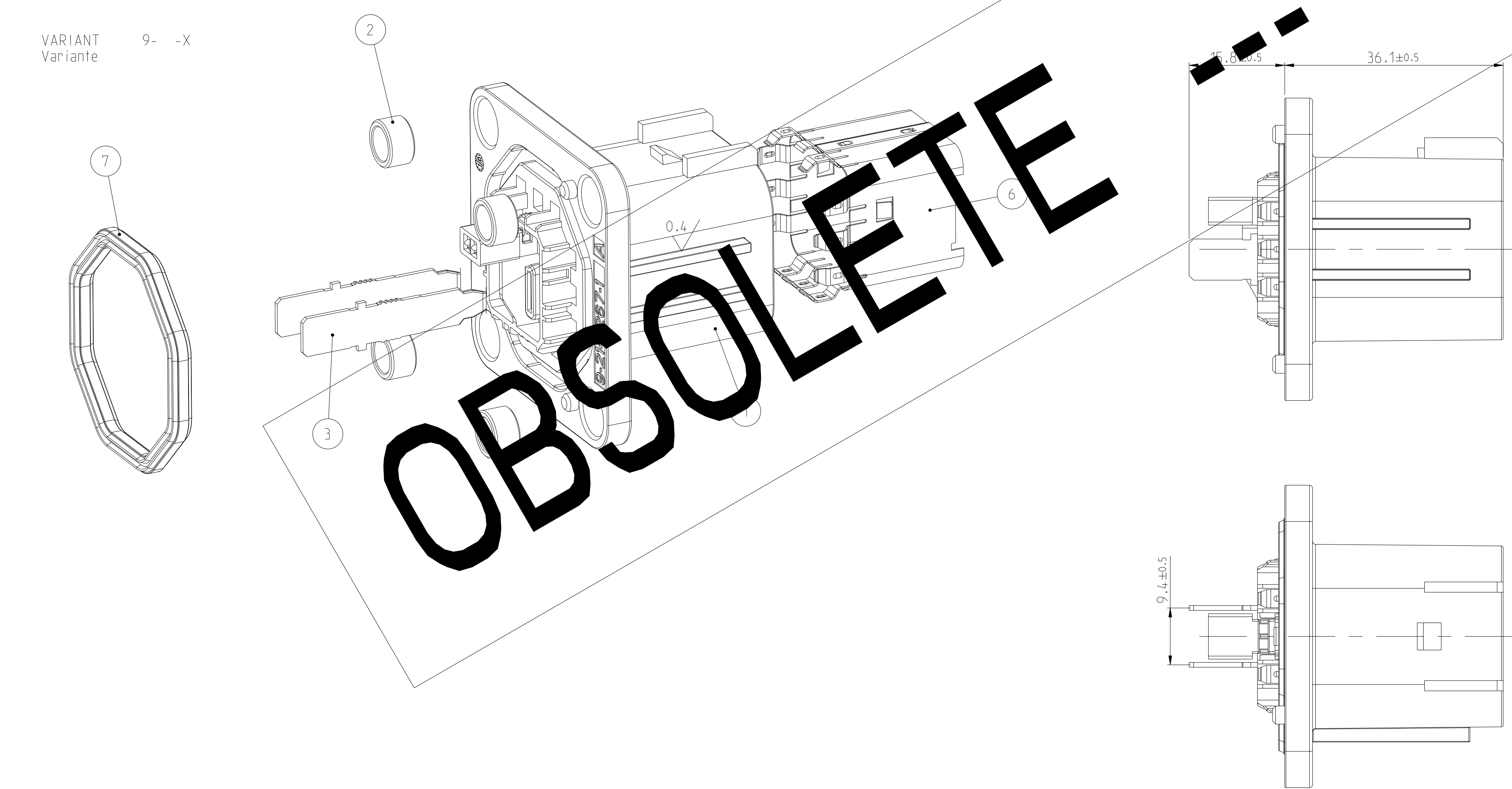
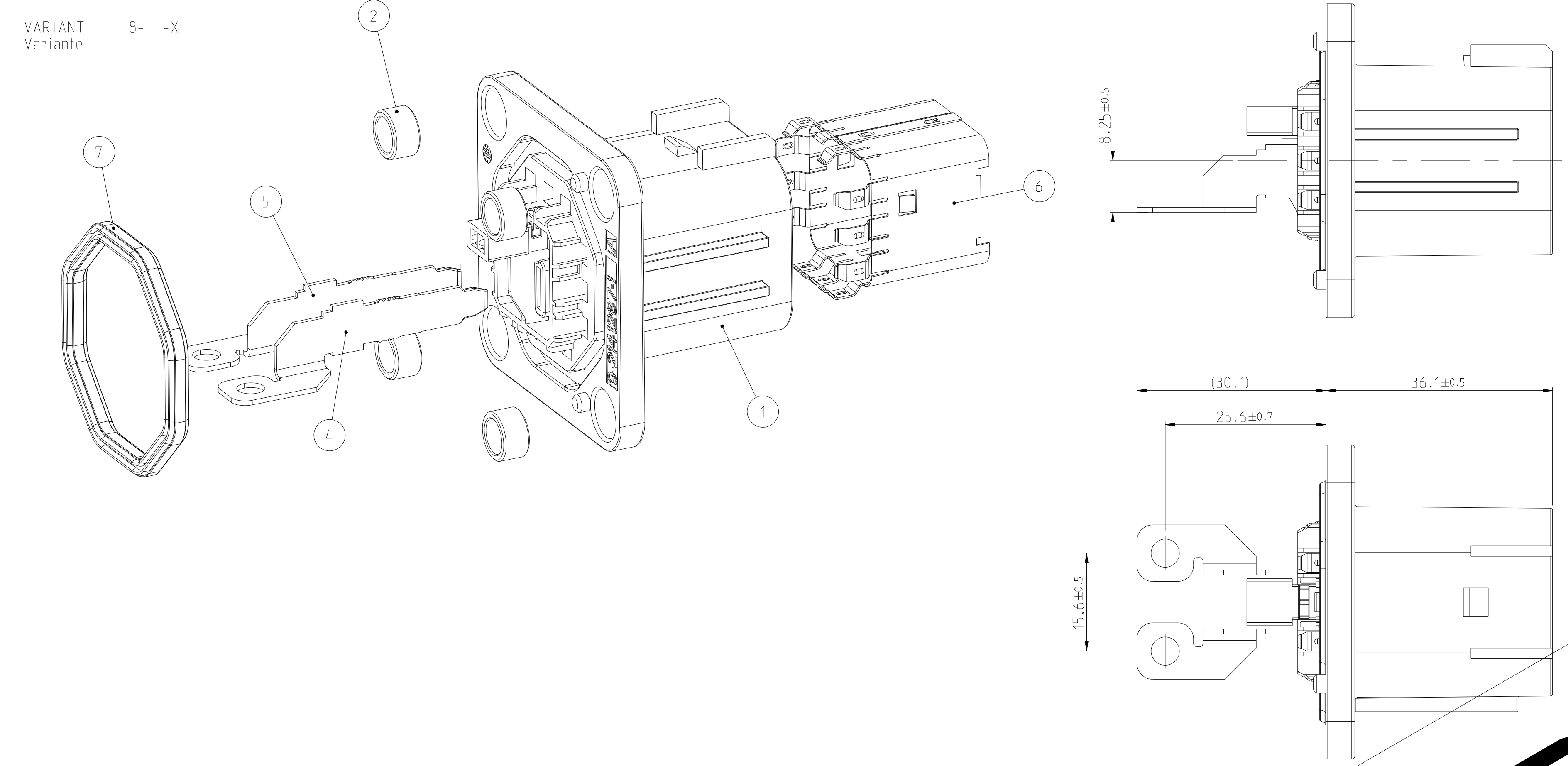
CODE D



CODE E



CODE F



OBSOLETE

NOTES
Bemerkungen

- THE GERMAN TEXT IS BINDING
Der deutsche Text ist verbindlich
- LAYER PACKING WITH CORRUGATED LAYER PAD AND PAPER CUSHION INTO CORRUGATED SHIPPING BOX
Lagenweise Verpackung mit Wellpappeinlagen und Papierpolstern in Versandkarton
- MISSING DATAS ACCORDING TO TE-DRAWING NO.: 114-94036
Fehlende Angaben gemäß TE-Zeichnung Nr.: 114-94036
- SUITABLE INTERLOCK-CONTACTS: 1418760-3
SUITABLE 2. LOCK FOR INTERLOCK-CONTACTS: TE-DRAWING NO. 2141145
Passende Interlock-Kontakte: 1418760-3
Passende 2. Kontaktsicherung für Interlock-Anschluss: TE-drawing-nummer 2141145
- SUBJECT TO TECHNICAL CHANGES
TE DOESN'T COMPENSATE FOR FOLLOW-UP-COSTS DUE TO TECHNICAL CHANGES
Technische Änderungen vorbehalten
TE kommt nicht fuer Folgekosten durch Änderungen auf
- UNVERIFIED TAB GEOMETRY, APPLICATION AND VERIFICATION IN CUSTOMERS RESPONSIBILITY
Unverifizierte Tabanschlusgeometrie, Anwendung und Verifikation im Verantwortungsbereich des Kunden

SPECIFICATIONS Spezifikationen	
MATING CONNECTOR: 2POS. HV. REC HSG. ASSY Gegenstecker: 2pol. HV. Steckergehäuse, Zusammenbau	114-94100-1
INTERFACE DRAWING: ADAPTER PLATE. 2POS HV90/180DEG-CATEGORY 1 Ausführungsvorschrift, Aufnahmeplatte, 2pol HV90°/180°-Kategorie 1	114-94037
PRODUCT-SPEC. Produktspezifikation	108-94264
APPLICATION-SPEC. Verarbeitungsspezifikation	114-94100

COD.	DESCRIPTION - ASSY	WEIGHT (g)	TE ORDER-NO.	REV	QTY	DESCRIPTION - PART	MATERIAL	SURFACE	ITEM
F	2 POS 180DEG TAB HEADER ASSY HV CONNECTOR	40	9-2141272-6	B	1	AXIAL SEAL	SILICONE	NATURAL	7
					1	EMC SHIELD	CuNiSi	Ni/Ag	6
					2	TAB 6.3x0.8x0.8mm	CuSn	Ni/Ag	3
					4	SLEEVE	CuZn	Ni	2
A	2 POS 180DEG TAB HEADER ASSY HV CONNECTOR	40	9-2141272-1	B	1	AXIAL SEAL	SILICONE	NATURAL	7
					1	EMC SHIELD	CuNiSi	Ni/Ag	6
					2	TAB 6.3x0.8x0.8mm	CuSn	Ni/Ag	3
					4	SLEEVE	CuZn	Ni	2
F	2 POS 180DEG TAB HEADER ASSY HV CONNECTOR	40	8-2141272-6	B	1	AXIAL SEAL	SILICONE	NATURAL	7
					1	EMC SHIELD	CuNiSi	Ni/Ag	6
					1	TAB 6.3x0.8, RIGHT BENDED TERMINAL	CuSn	Ni/Ag	5
					1	TAB 6.3x0.8, LEFT BENDED TERMINAL	CuSn	Ni/Ag	4
					4	SLEEVE	CuZn	Ni	2
					1	2POS. MIXED. HEADER HSG 180 DEG	PA66GF30	ORANGE	1
A	2 POS 180DEG TAB HEADER ASSY HV CONNECTOR	40	8-2141272-1	B	1	AXIAL SEAL	SILICONE	NATURAL	7
					1	EMC SHIELD	CuNiSi	Ni/Ag	6
					1	TAB 6.3x0.8, RIGHT BENDED TERMINAL	CuSn	Ni/Ag	5
					1	TAB 6.3x0.8, LEFT BENDED TERMINAL	CuSn	Ni/Ag	4
					4	SLEEVE	CuZn	Ni	2
					1	2POS. MIXED. HEADER HSG 180 DEG	PA66GF30	ORANGE	1

THIS DRAWING IS A CONTROLLED DOCUMENT. DIMENSIONING AND TOLERANCING PER GPS 1550 STANDARDS.

DATE: 08FEB2011
DESIGNED BY: VISHVA A
CHECKED BY: U. HODDINAT
APPROVED BY: OLMAY2011

TE Connectivity
2 POS 180DEG TAB HEADER ASSY HV CONNECTOR

SCALE: 5:1 SHEET 3 OF 3

单击下面可查看定价，库存，交付和生命周期等信息

[>>TE Connectivity\(泰科\)](#)