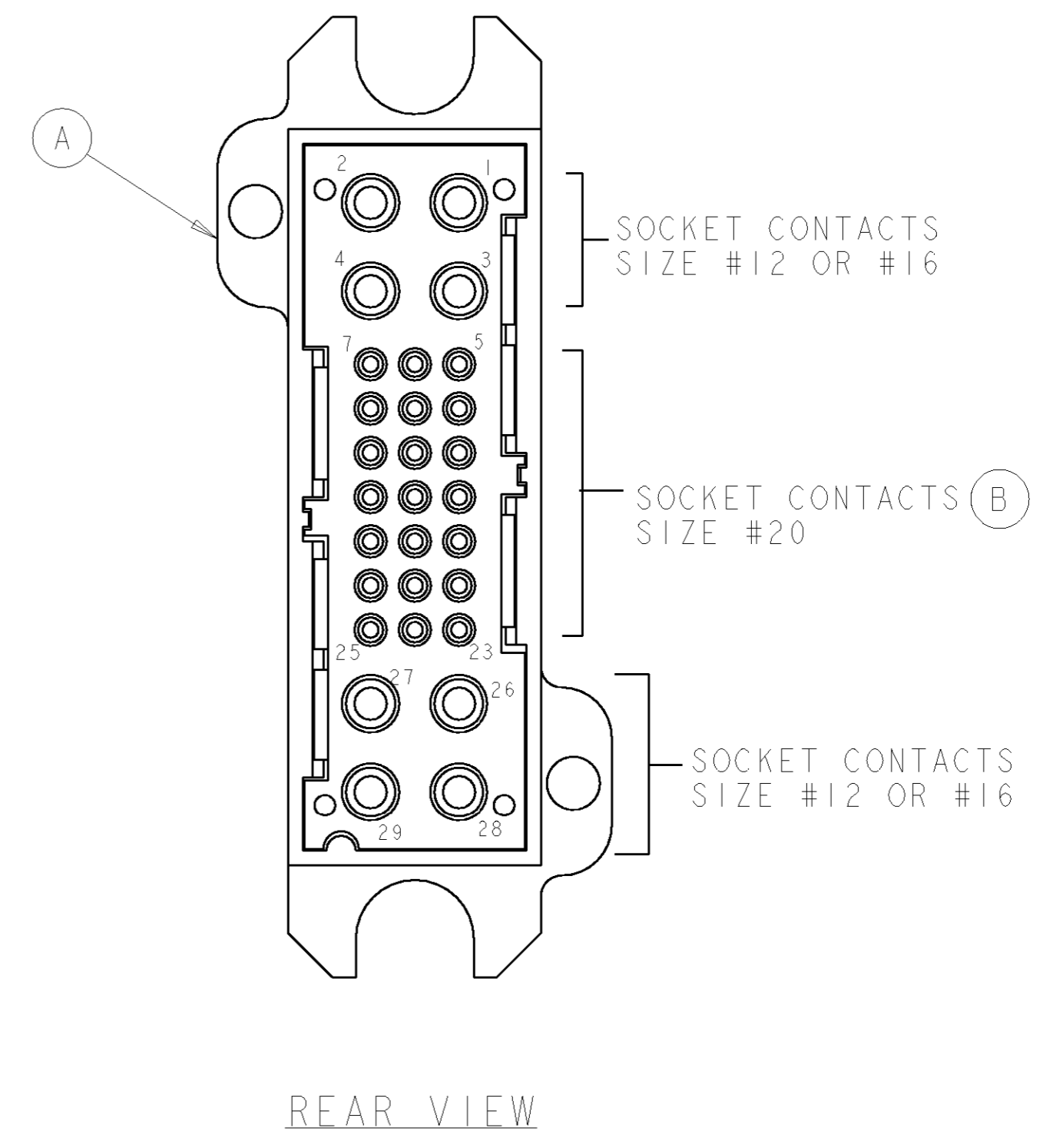
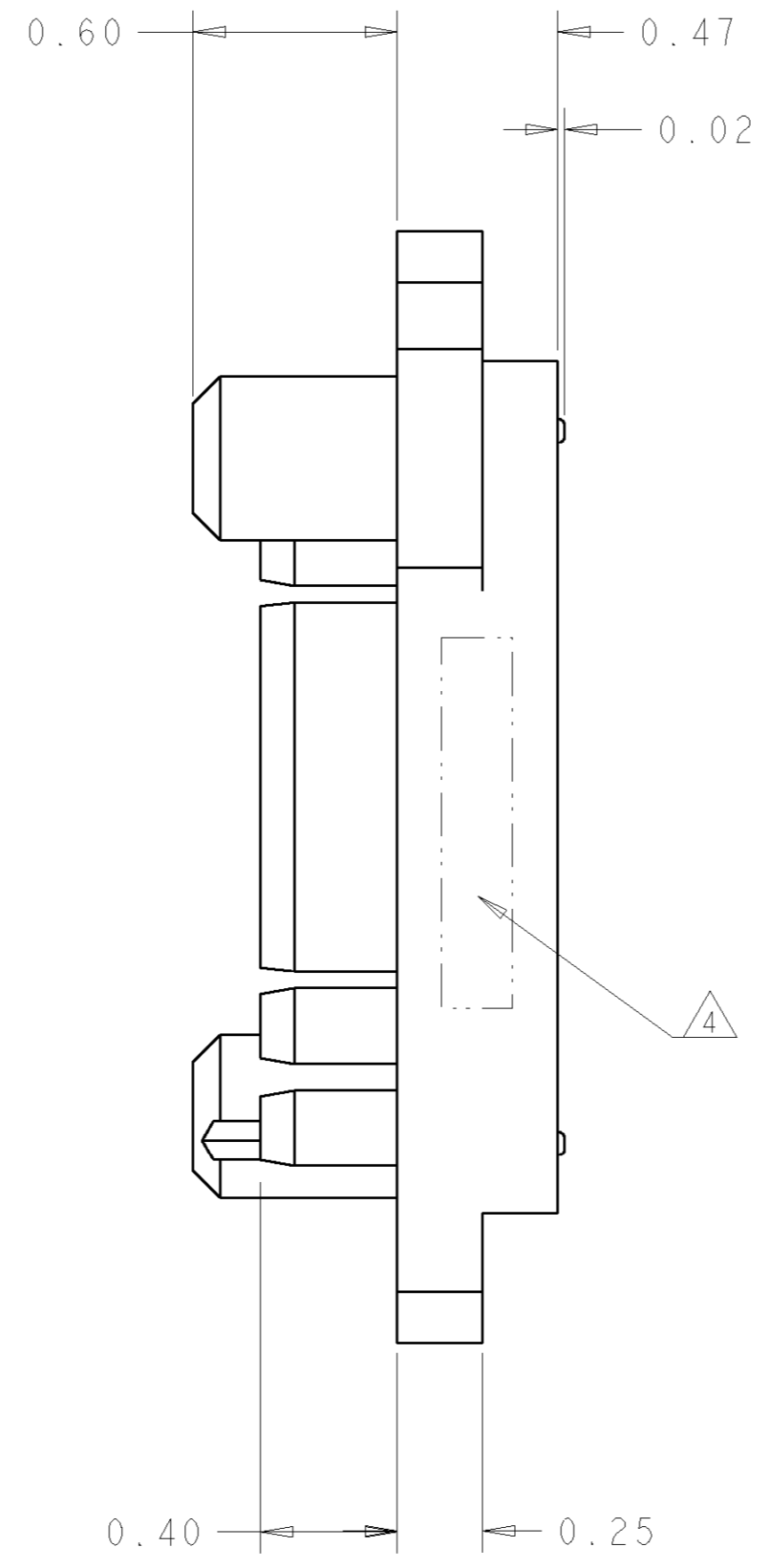
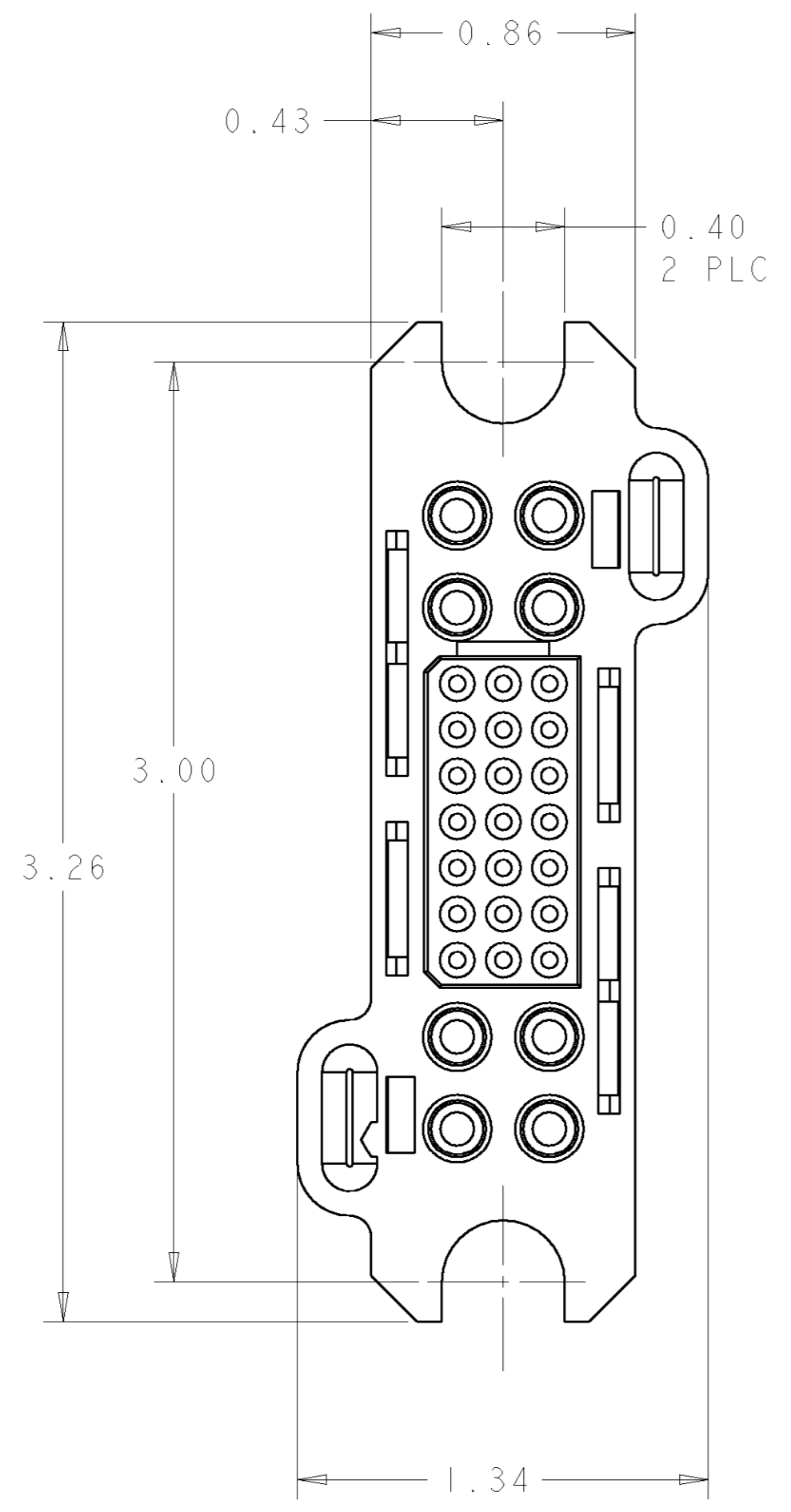


LOC	DIST	REVISIONS					
GP	00	P	LTR	DESCRIPTION	DATE	DWN	APVD
			A	RELEASED	21JUN06	RG	SF



AS SHOWN	1926158-1
DESCRIPTION	PART NUMBER

THIS DRAWING IS A CONTROLLED DOCUMENT FOR TYCO ELECTRONICS CORPORATION. IT IS SUBJECT TO CHANGE AND THE CONTROLLING ENGINEERING ORGANIZATION SHOULD BE CONTACTED FOR THE LATEST REVISION.		DWN R. GRZYBOWSKI 21 JUN 06	Tyco Electronics Harrisburg, PA 17105-3608
DIMENSIONS: INCHES		CHK S. FLICKINGER 21 JUN 06	
TOLERANCES UNLESS OTHERWISE SPECIFIED:		APVD S. FLICKINGER 21 JUN 06	NAME CONNECTOR ASSEMBLY SOCKET 75 AMP, LOWER DRAWER
0 PLC ± 1 PLC ± 2 PLC ±.02 3 PLC ±.010 4 PLC ± ANGLES ±.5 FINISH		PRODUCT SPEC - APPLICATION SPEC -	SIZE A2
MATERIAL -		WEIGHT -	CAGE CODE 00779
		CUSTOMER DRAWING	DRAWING NO 1926158
		SCALE 3:1	RESTRICTED TO -
		SHEET 1	OF 2
		REV A	

ELCON LOWER DRAWER

单击下面可查看定价，库存，交付和生命周期等信息

[>>TE Connectivity\(泰科\)](#)