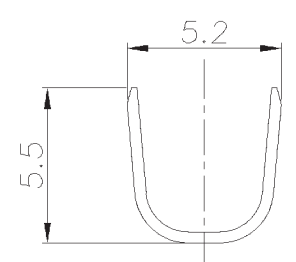
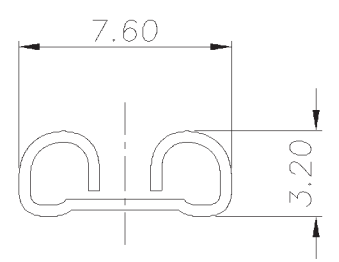
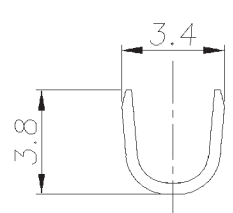


- NOTES :
- MATERIAL :
TERMINAL : BRASS C2600EH, T=0.4mm
 - FINISH : TIN PLATING
 - APPLACTION :
WIRE SIZE : AWG #20~#14
 - OBSELETE PARTS



SEC. A-A



SEC. B-B

	1470322-2
	1470322-1
PLATING THICKNESS	PART NUMBER

DIMENSION : 0 PLC ±0.5 1 PLC ±0.3 2 PLC ±0.2 3 PLC ± ANGLES ±3'	DWN S. HOU 26-APR-2002	TE Connectivity NAME RECEPTACLE, FASTIN-FASTON, .250 SERIES
	CHK J. CHENG 26-APR-2002	
MATERIAL	APVD J. WU 26-APR-2002	PRODUCT SPEC
SEE NOTE	APPLICATION SPEC	LOC DW A3
SEE NOTE	WEIGHT	SCALE --
		DRAWING NO C-1470322
		SHEET 1 OF 2

A	REVISED PER ECR-19-018072		SS TD 27NOV 2019
0	NEW RELEASED	FZ00-0097-02	SH JC 26APR 2002
LTR	REVISION RECORD	ECN	DWN CHK DATE

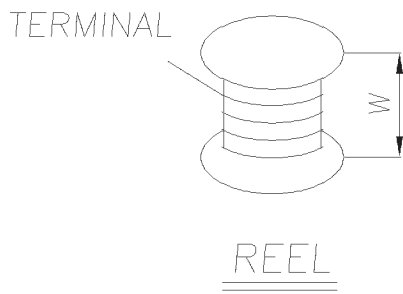
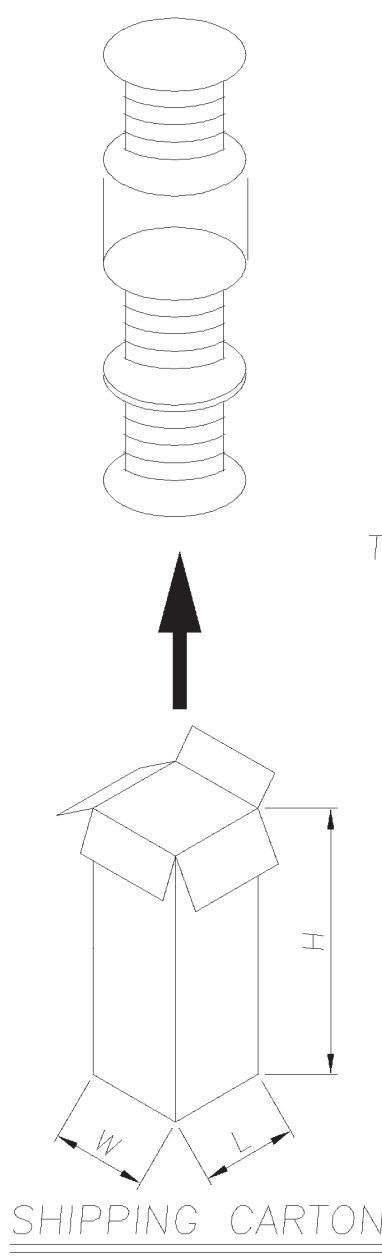
NUMBER C-1470322



METRIC

THIS INFORMATION IS CONFIDENTIAL AND IS DISCLOSED TO YOU ON CONDITION THAT YOU WILL NOT REPRODUCE OR DISCLOSE THIS INFORMATION TO OTHER THAN AMP PERSONNEL WITHOUT WRITTEN PERMISSION. DIMENSIONS IN MILLIMETERS. DO NOT SCALE PRINT.

DIST
PRINT
DW



NOTE :
 1. DIMENSION :
 REEL : $\phi 260$, W=150
 SHIPPING CARTON:
 L=275, W=275, H=480
 2. QUANTITY :
 5,000 PCS/FEEL
 3 REEL/SHIPPING CARTON

DIMENSION : 0 PLC ++ 1 PLC +++ 2 PLC +++ 3 PLC +++ ANGLES #		DWN S. HOU 26-APR-2002	TE Connectivity NAME RECEPTACLE, FASTIN-FASTON, .250 SERIES	
MATERIAL SEE NOTE		CHK J. CHENG 26-APR-2002	APVD J. WU 26-APR-2002	LOC DW A3
FINISH SEE NOTE		PRODUCT SPEC		DRAWING NO C-1470322
LTR REVISION RECORD		WEIGHT	SCALE --	REV A
ECN	DWN CHK	DATE	SHEET 2 OF 2	

SEE SHEET 1				
LTR	REVISION RECORD	ECN	DWN CHK	DATE

8 | 7 | 6 | 5 | 4 | 3 | 2 | 1
 CUSTOMER DRAWING

单击下面可查看定价，库存，交付和生命周期等信息

[>>TE Connectivity\(泰科\)](#)